

ITEM	PART#	DESCRIPTION	QTY	UOM
A	510650200	Micro-Latch 2.0 Rec Housing 2P	1	PC
B	503728000	Micro-Latch 2.0 Crimp R Term Tin #22-26	2	PC
C	--	PAPER PRINTED PAPER WHITE (S100X150YAJ)	1	PC

FROM	TO	DESCRIPTION	COLOR
A1	--	1X22AWG DISC SR-PVC BK UL10002	BLACK
A2	--	1X22AWG DISC SR-PVC BK UL10002	BLACK

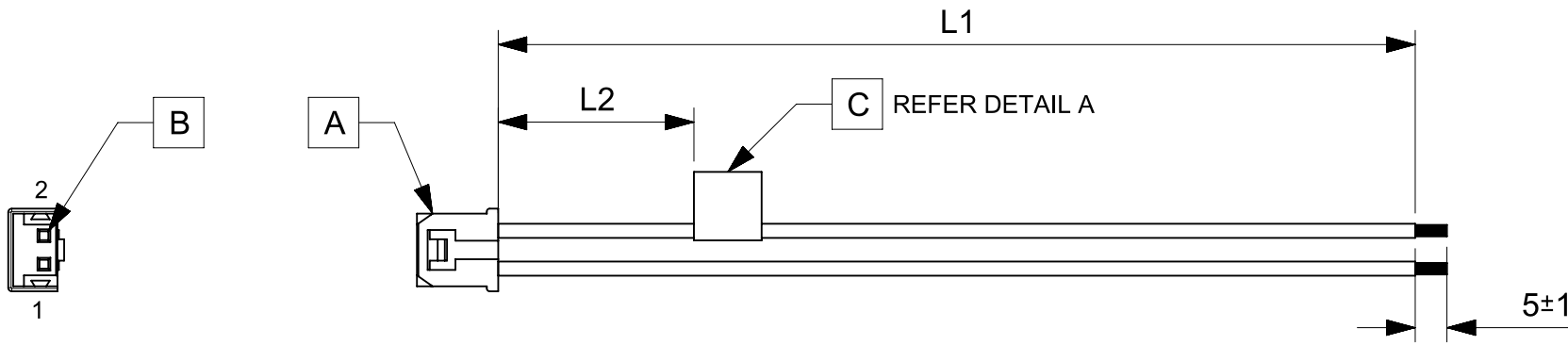


TABLE			
PART NUMBER	L1	L2 (REF)	TITLE
2196791020	50±3	15	Micro Latch 2.0 R-S 2ckt 50mm disc Sn
2196791021	100±3	15	Micro Latch 2.0 R-S 2ckt 100mm disc Sn
2196791022	150±4	15	Micro Latch 2.0 R-S 2ckt 150mm disc Sn
2196791023	300±4	15	Micro Latch 2.0 R-S 2ckt 300mm disc Sn
2196791024	600±6	15	Micro Latch 2.0 R-S 2ckt 600mm disc Sn

NOTES

1. Connector view shown is from mating side.
2. Label text must be 2mm max. in height with Arial font.
3. Label must be wrapped in Flag type on a single cable.
4. Free ends must be stripped, twisted & tinned. The length of tinning is 5±1mm. Tinning Dia must be 0.9 mm Max.

MOLEX P/N
MOLEX
BATCH WK/YR
DETAIL A

REVISION			
DATE	REV	DESCRIPTION	CHANGER
2022/02/27	A	INITIAL RELEASE	SAIKIG

FUNCTIONAL SYMBOLS $\frac{F}{A} = 0$ $\frac{F}{E} = 0$ $\frac{F}{P} = 0$ DIVISIONAL SYMBOLS	DIMENSION UNITS: mm SCALE: NTS		CURRENT REV DESC:					
	GENERAL TOLERANCES (UNLESS SPECIFIED)		EC NO: 697300 DRWN: SAIKIG 2022/02/21 CHK'D: MNARAYAN01 2022/03/08 APPR: MNARAYAN01 2022/03/08			SEE TABLE		
	ANGULAR TOL ± °		INITIAL REVISION:					
	4 PLACES ± 3 PLACES ± 2 PLACES ± 1 PLACE ± 0 PLACES ±		DRWN: SAIKIG 2022/02/21 APPR: MNARAYAN01 2022/03/08			PRODUCT CUSTOMER DRAWING		
DRAFT WHERE APPLICABLE MUST REMAIN WITHIN DIMENSIONS		THIRD ANGLE PROJECTION	DRAWING: A4-SIZE	SERIES: 219679	DOCUMENT NUMBER: 2196791020	DOC TYPE: PSD	DOC PART: 000	REVISION: A