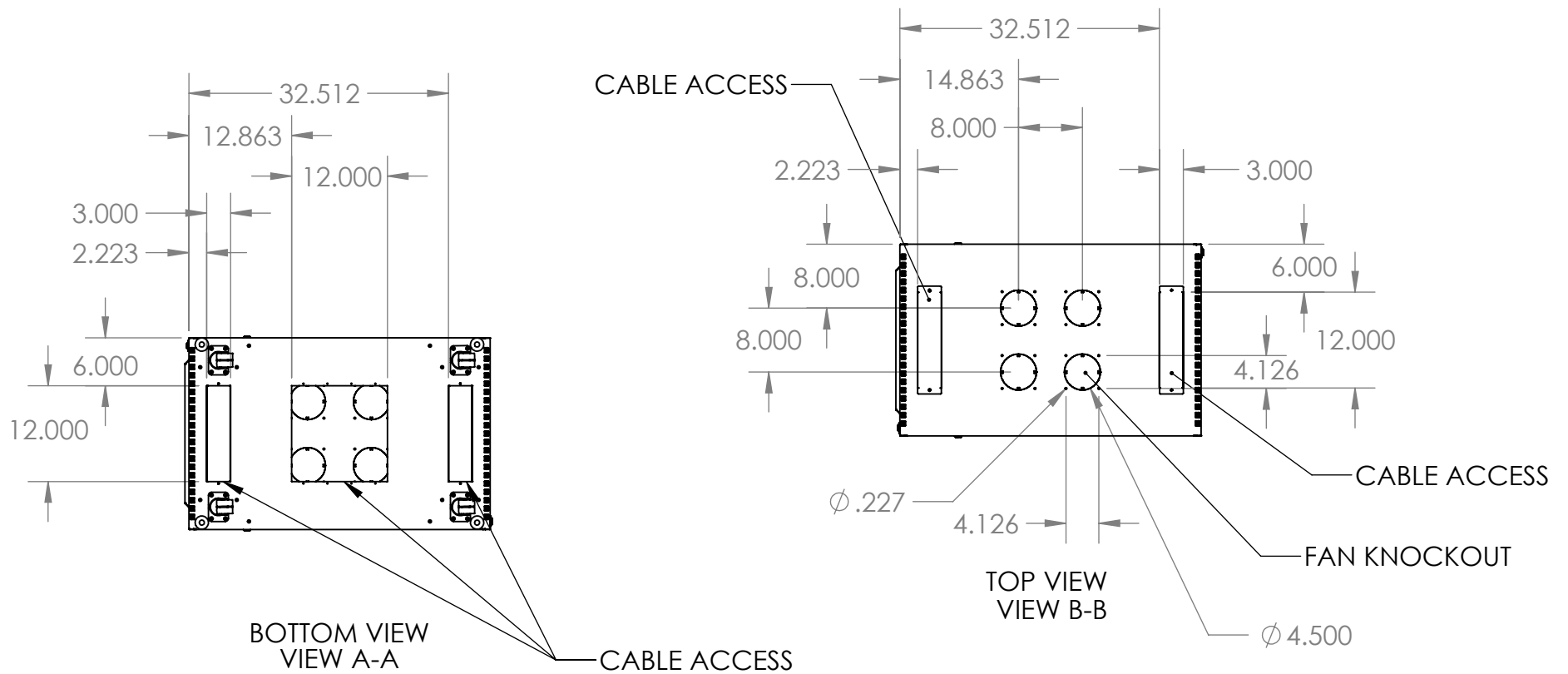


- NOTE:
1. 19" EIA RACK MOUNT COMPLIANT.
  2. RAILS ACCEPT 3/8" CAGENUT.
  3. BLACK POWDER COAT.

<b>WEB PRINT</b>	UNLESS OTHERWISE SPECIFIED: DIMENSIONS ARE IN INCHES TOLERANCES: FRACTIONAL ± 1/8 ANGULAR: BEND ± 1 DEGREE TWO PLACE DECIMAL ± .03 THREE PLACE DECIMAL ± .01		NAME	DATE	<b>KENDALL HOWARD</b> <sup>TM</sup> TITLE: <b>37U LINIER FS CONVEX FRONT/ GLASS REAR</b>	
	Surface Area		DRAWN			
	MATERIAL		CHECKED			
	FINISH		ENG APPR.			
	APPLICATION		MFG APPR.			
NEXT ASSY		USED ON	Q.A.		<b>A</b> 3102-3-001-37 WP	
APPLICATION		DO NOT SCALE DRAWING	COMMENTS:			
<p><b>PROPRIETARY AND CONFIDENTIAL</b> THE INFORMATION CONTAINED IN THIS DRAWING IS THE SOLE PROPERTY OF KENDALL HOWARD. ANY REPRODUCTION IN PART OR AS A WHOLE WITHOUT THE WRITTEN PERMISSION OF KENDALL HOWARD IS STRICTLY PROHIBITED.</p>				SIZE	DWG. NO.	REV
				<b>A</b> 3102-3-001-37 WP		
				SCALE: 1:20	WEIGHT: 160.48	SHEET 1 OF 2



**PROPRIETARY AND CONFIDENTIAL**  
 THE INFORMATION CONTAINED IN THIS DRAWING IS THE SOLE PROPERTY OF KENDALL HOWARD. ANY REPRODUCTION IN PART OR AS A WHOLE WITHOUT THE WRITTEN PERMISSION OF KENDALL HOWARD IS STRICTLY PROHIBITED.

<b>WEB PRINT</b>	
NEXT ASSY	USED ON
APPLICATION	

UNLESS OTHERWISE SPECIFIED:  
 DIMENSIONS ARE IN INCHES  
 TOLERANCES:  
 FRACTIONAL  $\pm 1/8$   
 ANGULAR: BEND  $\pm 1$  DEGREE  
 TWO PLACE DECIMAL  $\pm .03$   
 THREE PLACE DECIMAL  $\pm .01$

Surface Area

MATERIAL

FINISH

DO NOT SCALE DRAWING

	NAME	DATE
DRAWN		
CHECKED		
ENG APPR.		
MFG APPR.		
Q.A.		
COMMENTS:		

**KENDALL HOWARD**

TITLE:  
**37U LINIER FS CONVEX  
 FRONT/ GLASS REAR**

SIZE	DWG. NO.	REV
<b>A</b>	<b>3102-3-001-37 WP</b>	

SCALE: 1:20 WEIGHT: 160.48 SHEET 2 OF 2