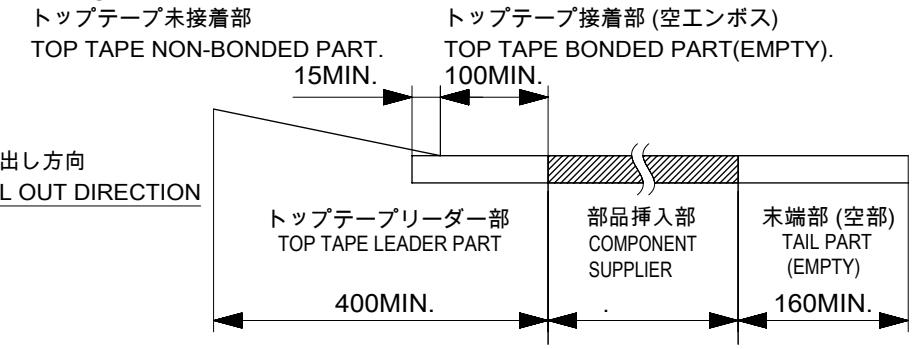


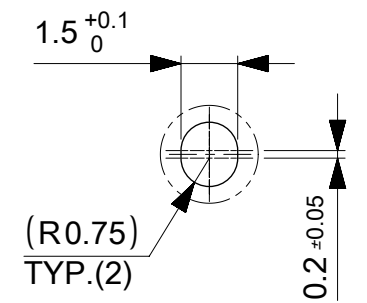
NOTES

- 1.製品の詳細については、5039081002 PSD 000をご参照下さい。
CONNECTOR DETAILED DIMENSIONS, REFER TO 5039081002 PSD 000.
- 2.梱包数量：1000個/リール
NUMBER OF CONNECTORS：1000PCS/REEL
- 3.リードテープの長さ
LEAD TAPE LENGTH

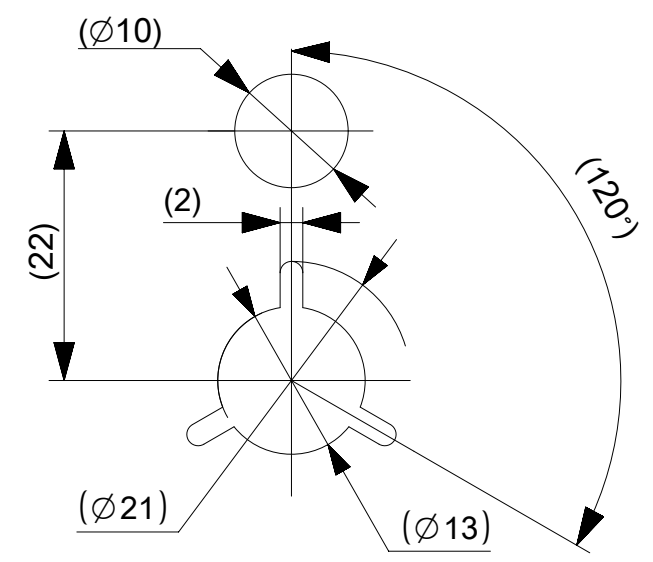


- 4.材料
キャリアテープ(CARRIER TAPE)：ポリスチレン(POLYSTYRENE)
トップテープ(TOP TAPE)：PET, PE, PEF
リール(REEL)：ポリスチレン(POLYSTYRENE) <リサイクル材を含む>
<RECYCLE MATERIAL CONTAINED>
- 5.トップテープの剥離強度については、IEC60286-3に準拠
TOP TAPE PEEL FORCE IS DEFINED BY IEC60286-3.

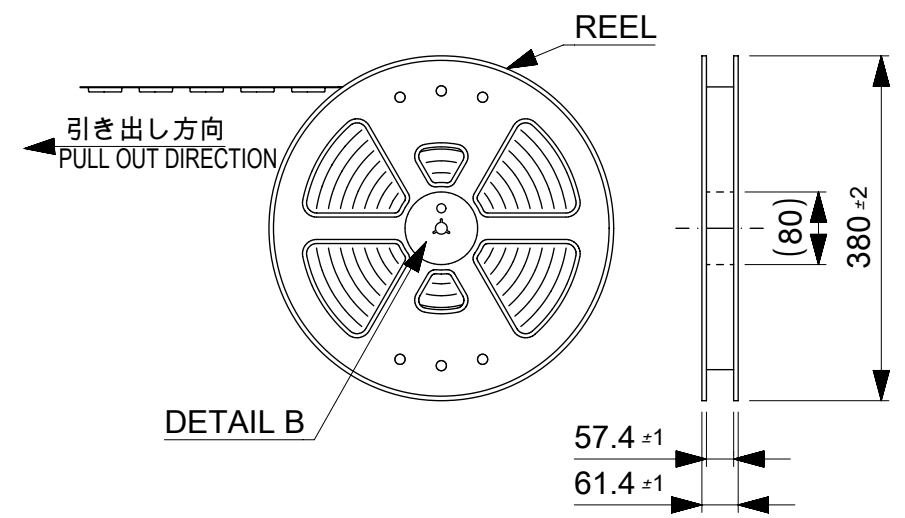
エンボステープ内の製品の向き
DIRECTION OF CONNECTOR IN
EMBOSSSED TAPE



DETAIL A
(SCALE 5:1)



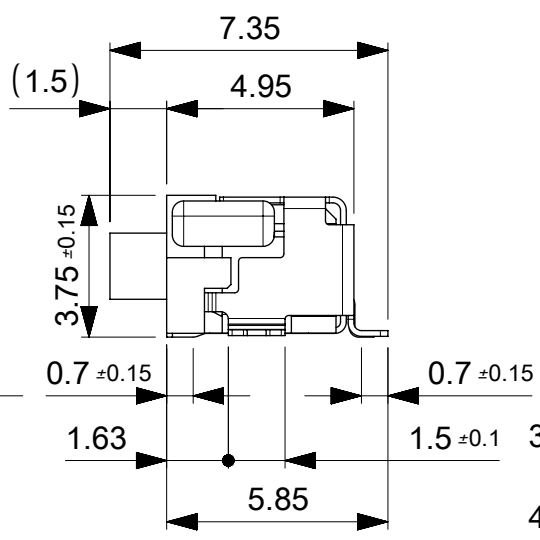
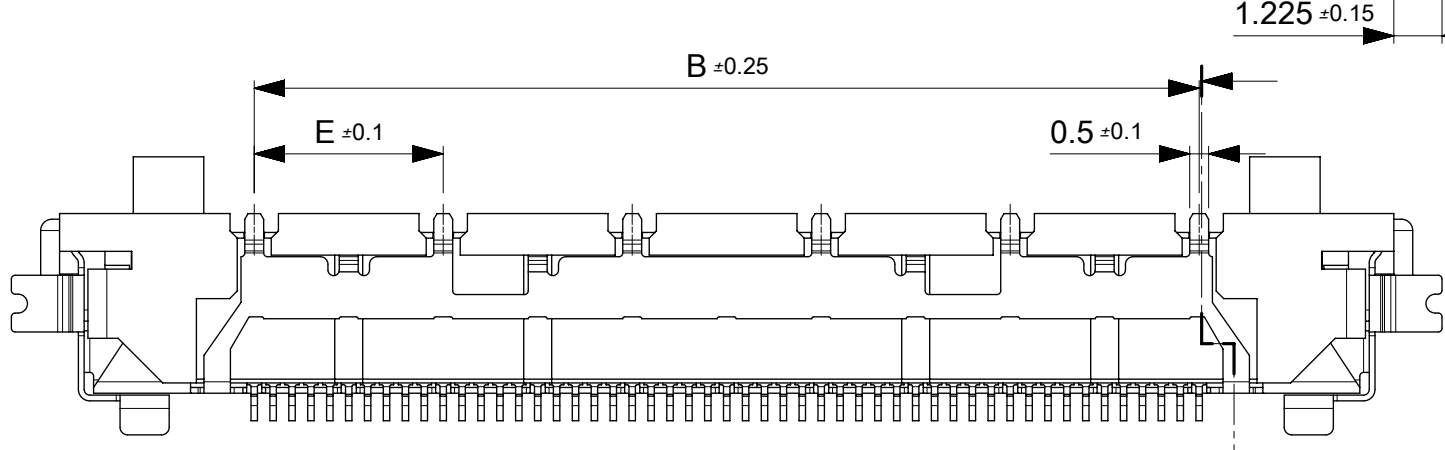
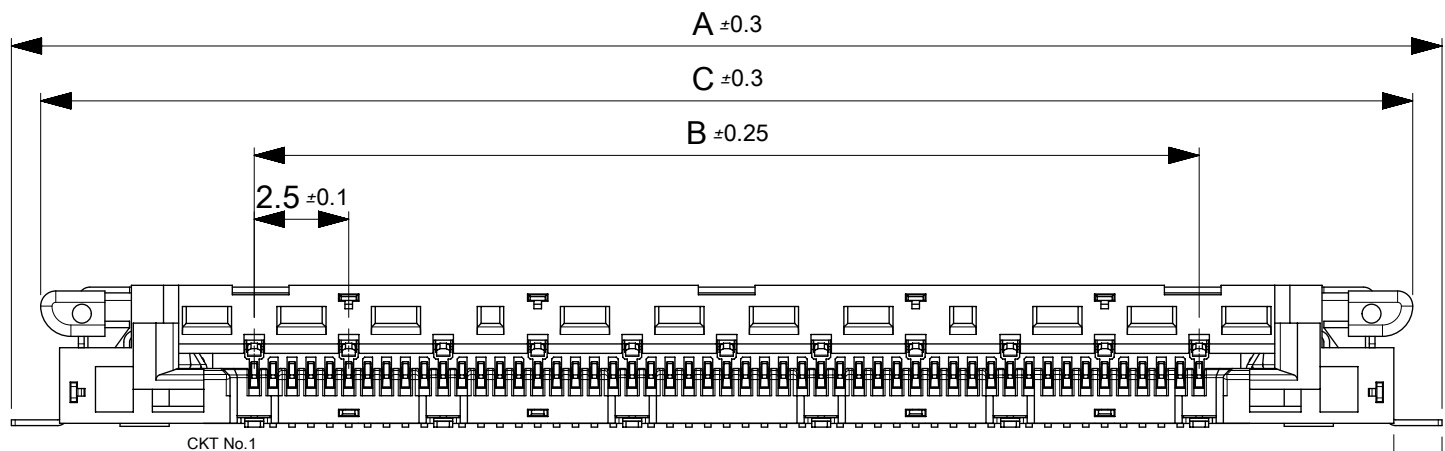
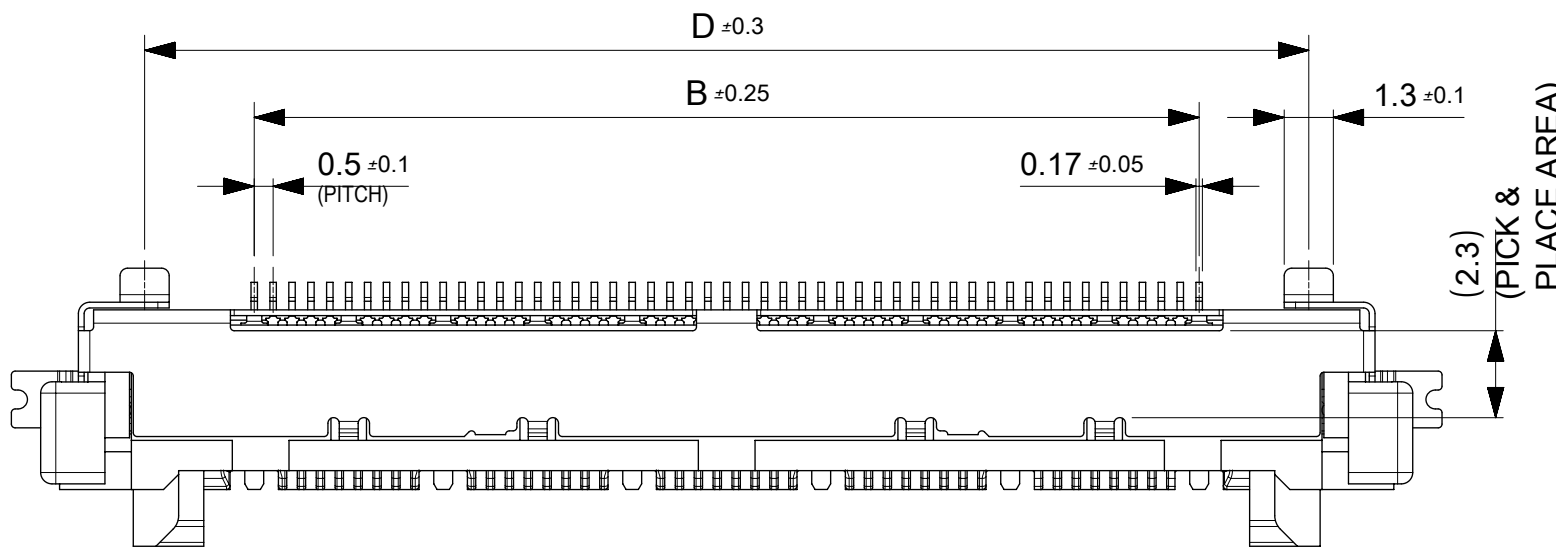
DETAIL B



503908-5120	51
503908-4120	41
オーダー番号 ORDER No.	極数 CIRCUIT

THIS DRAWING CONTAINS INFORMATION THAT IS PROPRIETARY TO MOLEX ELECTRONIC TECHNOLOGIES, LLC AND SHOULD NOT BE USED WITHOUT WRITTEN PERMISSION

EC NO: 107876 DRWN: YMIZUNO02 CHK'D: KTAKAHASHI APPR: TKUSUHARA01	2016/08/26	GENERAL TOLERANCES (UNLESS SPECIFIED)	DIMENSION UNITS	SCALE				
	2016/08/26	ANGULAR TOL ± 3.0 °	MM	2:1				
	2016/08/28	4 PLACES ± 0.2	DRWN BY	DATE				
		3 PLACES ± 0.2	YMIZUNO02	2016/08/26				
		2 PLACES ± 0.2	CHK'D BY	DATE	0.5 FFC CONN R/A NON-ZIF ASS'Y EMBSTP PK			
		1 PLACE ± 0.25	KTAKAHASHI	2016/08/26				
		0 PLACES ± 0.3	APPR BY	DATE	PRODUCT CUSTOMER DRAWING			
		DRAFT WHERE APPLICABLE MUST REMAIN WITHIN DIMENSIONS	TKUSUHARA01	2016/08/28				
			DRAWING SIZE	THIRD ANGLE PROJECTION	SERIES	MATERIAL NUMBER	CUSTOMER	
			A3		503908	SEE CHART	GENERAL	
					DOCUMENT NUMBER	DOC TYPE	DOC PART	SHEET NUMBER
					5039080002	PSD	000	1 OF 2



注記

NOTES:

1.材質

MATERIAL

ハウジング : LCP(液晶ポリマー)、黒色、ガラス充填、UL94V-0
 HOUSING: LIQUID CRYSTAL POLYMER, BLACK
 GLASS FILLED, UL94V-0

ターミナル : 銅合金 (t=0.2)

TERMINAL: COPPER ALLOY (t=0.2)

シェル : 燐青銅 (t=0.15)

SHELL: PHOSPHOR BRONZE (t=0.15)

2.めっき仕様

PLATING

ターミナル

TERMINAL

接点部 : 金めっき 0.1µm以上

CONTACT AREA: GOLD 0.1 MICROMETER MINIMUM

半田付け部 : 金めっき

SOLDER TAIL AREA: GOLD

下地めっき: ニッケル 1.0µm以上

UNDER PLATING: NICKEL 1.0 MICROMETER MINIMUM

シェル

SHELL

錫めっき 1.0µm以上

TIN PLATING 1.0 MICROMETER MINIMUM

下地めっき: ニッケル 1.0µm以上

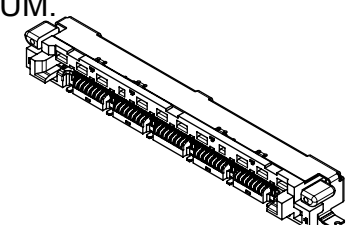
UNDER PLATING: NICKEL 1.0 MICROMETER MINIMUM

3.平坦度は、0.1mm以下とする。

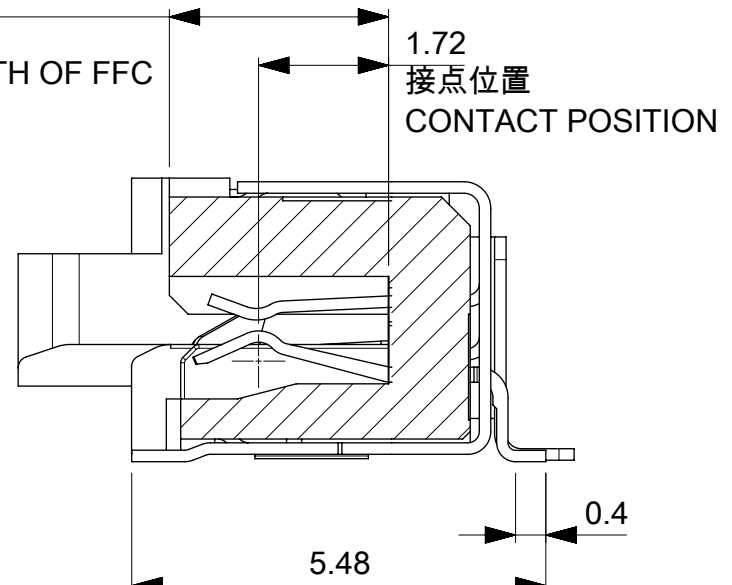
TAILS COPLANARITY TO BE 0.1mm MAXIMUM.

4.ELV及びRoHS適合品

ELV AND RoHS COMPLIANT



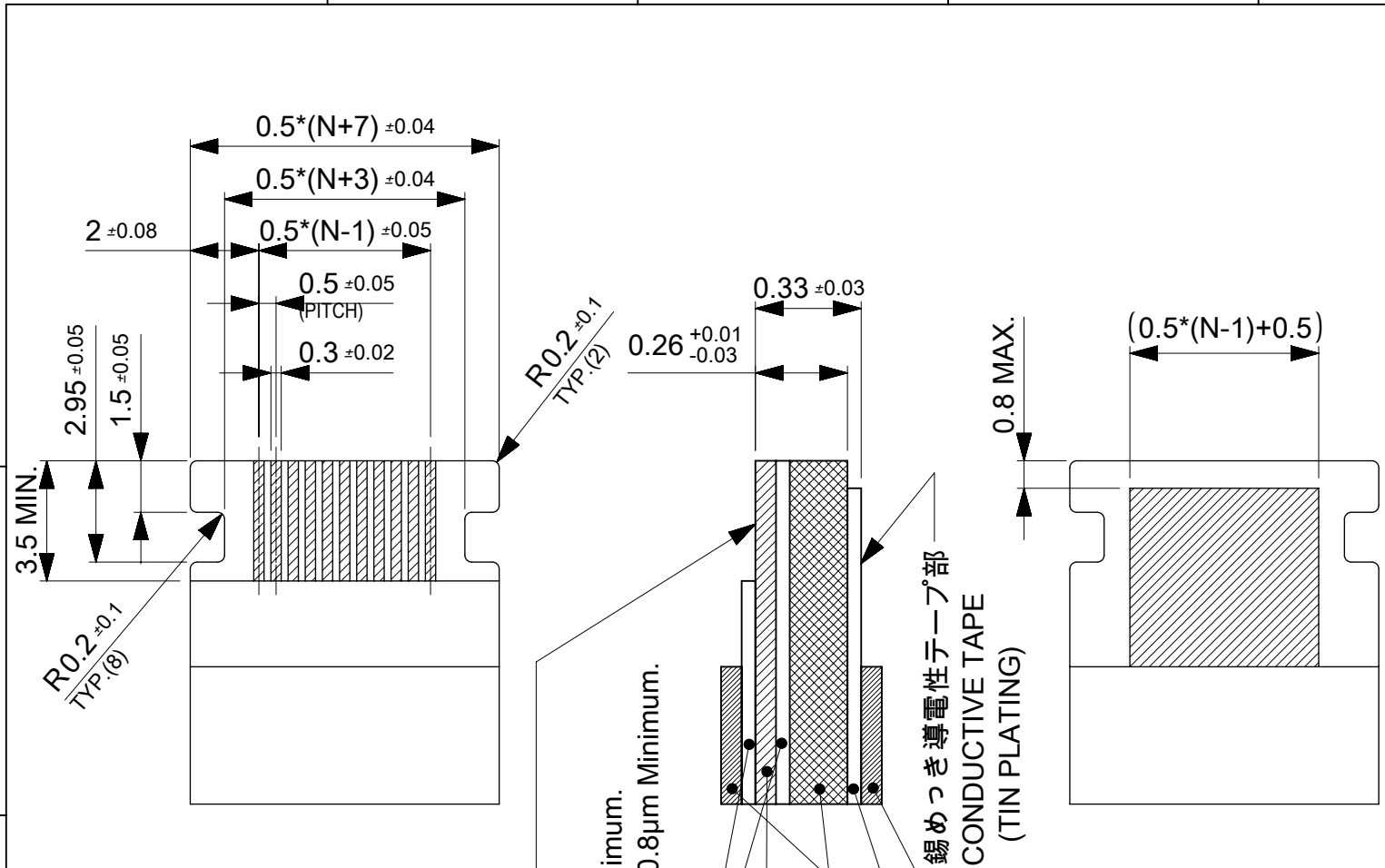
2.9
FFC挿入深さ
INSERTION DEPTH OF FFC



5	30.8	36	25	37.85	503908-5120	51
4	25.8	31	20	32.85	503908-4120	41
E	D	C	B	A	EMBOSSED TAPE PACKAGE	極数
ORDER No.						CIRCUIT
CONNECTOR SERIES No. 503908-**20						

THIS DRAWING CONTAINS INFORMATION THAT IS PROPRIETARY TO MOLEX ELECTRONIC TECHNOLOGIES, LLC AND SHOULD NOT BE USED WITHOUT WRITTEN PERMISSION

EC NO: 107876 DRWN: YMIZUNO02 CHK'D: KTAKAHASHI APPR: TKUSUHARA01	GENERAL TOLERANCES (UNLESS SPECIFIED)		DIMENSION UNITS	SCALE			
	ANGULAR TOL ± 3.0 °		MM	5:1			
	4 PLACES ± 0.2	3 PLACES ± 0.2	DRWN BY	DATE			
	2 PLACES ± 0.2	1 PLACE ± 0.25	YMIZUNO02	2016/08/23			
0 PLACES ± 0.3	DRAFT WHERE APPLICABLE MUST REMAIN WITHIN DIMENSIONS		CHK'D BY	DATE	0.5 FFC CONN R/A NON-ZIF ASS'Y		
		KTAKAHASHI	2016/08/26				
		APPR BY	DATE				
		TKUSUHARA01	2016/08/28	PRODUCT CUSTOMER DRAWING			
		DRAWING SIZE	THIRD ANGLE PROJECTION	SERIES	MATERIAL NUMBER	CUSTOMER	
		A3		503908	SEE CHART	GENERAL	
				DOCUMENT NUMBER	DOC TYPE	DOC PART	SHEET NUMBER
				5039081002	PSD	000	1 OF 2

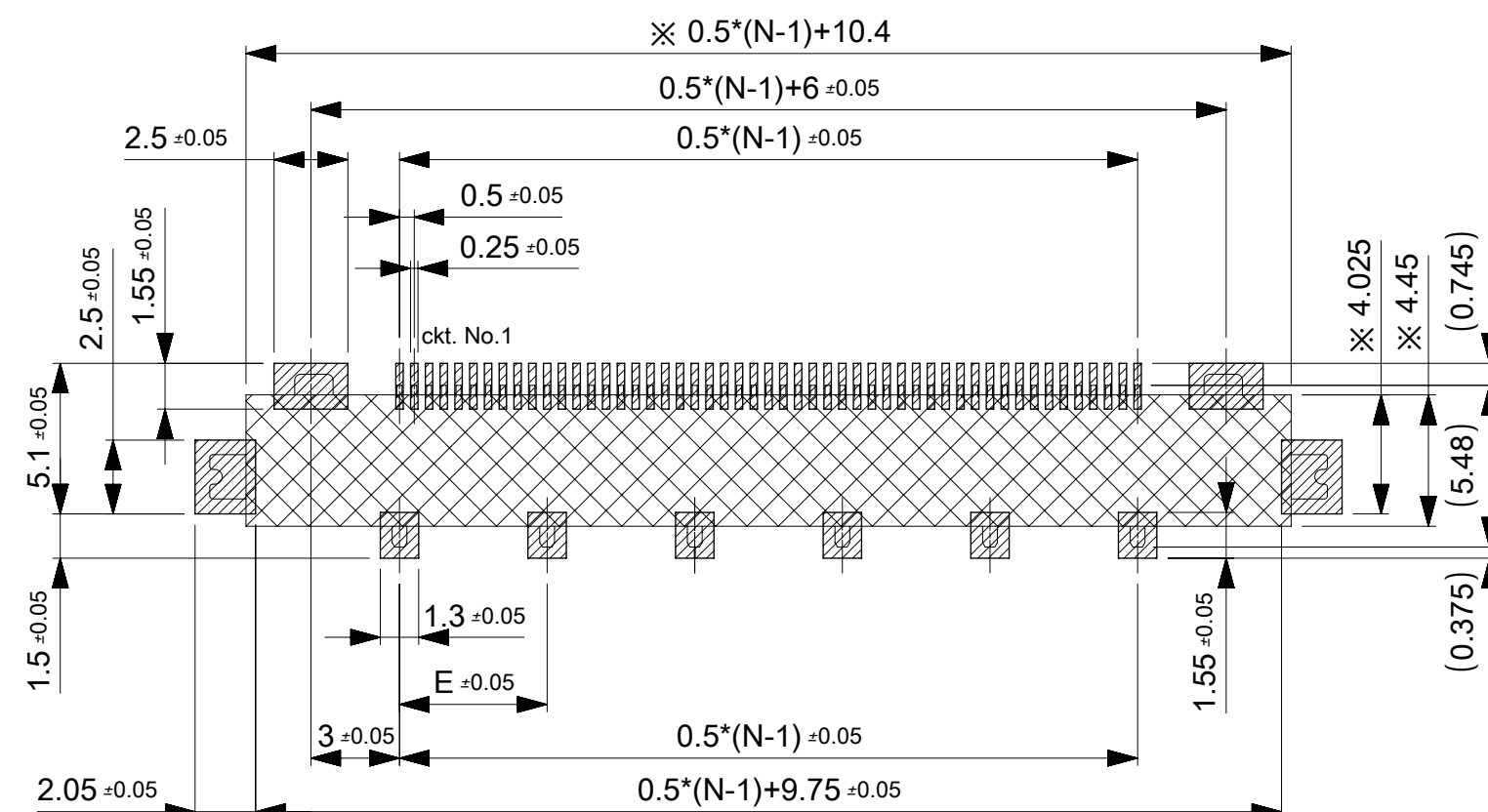


めっき : 金めっき 0.05µm以上
 下地ニッケルめっき 0.8µm以上
 PLATE: GOLD PLATING 0.05µm Minimum.
 NICKEL UNDER PLATING 0.8µm Minimum.

絶縁体 INSULATION FILM
 導体 CONDUCTOR
 補強板 REINFORCED TAPE
 導電性テープ CONDUCTIVE TAPE
 シールドテープ SHIELD TAPE

錫めっき導電性テープ部
 CONDUCTIVE TAPE
 (TIN PLATING)

適合する金めっき FFC 推奨寸法
 APPLICABLE FFC OF GOLD PLATING
 RECOMMENDED DIMENSION



推奨基板寸法
 RECOMMENDED P.W.B. PATTERN LAYOUT
 ※パターン禁止エリア
 PATTERN PROHIBITION AREA

推奨メタルマスク厚 : $t=0.12\text{mm}$
 RECOMMENDED METAL MASK THICKNESS : $t=0.12\text{mm}$
 メタルマスク開口率 : 100%
 APERTURE RATIO OF METAL MASK: 100%

NOTES

抜き方向は、導体側から補強板側を推奨致します。
 RECOMMENDED PUNCHER DIRECION:
 FROM CONDUCTOR SIDE TO STIFFNER FILM SIDE.

THIS DRAWING CONTAINS INFORMATION THAT IS PROPRIETARY TO MOLEX ELECTRONIC TECHNOLOGIES, LLC AND SHOULD NOT BE USED WITHOUT WRITTEN PERMISSION

EC NO: 107876 DRWN: YMIZUNO02 CHK'D: KTAKAHASHI APPR: TKUSUHARA01	2016/08/23	GENERAL TOLERANCES (UNLESS SPECIFIED)		DIMENSION UNITS	SCALE	
	2016/08/26	ANGULAR TOL $\pm 3.0^\circ$		MM	5:1	
	2016/08/28	4 PLACES	± 0.2	DRWN BY	DATE	
		3 PLACES	± 0.2	YMIZUNO02	2016/08/23	
		2 PLACES	± 0.2	CHK'D BY	DATE	
	1 PLACE	± 0.25	KTAKAHASHI	2016/08/26		
	0 PLACES	± 0.3	APPR BY	DATE		
			TKUSUHARA01	2016/08/28		
			DRAFT WHERE APPLICABLE MUST REMAIN WITHIN DIMENSIONS	DRAWING SIZE	THIRD ANGLE PROJECTION	PRODUCT CUSTOMER DRAWING
				A3		SERIES
						503908
						MATERIAL NUMBER
						SEE CHART
						CUSTOMER
						GENERAL
						DOCUMENT NUMBER
						5039081002
						DOC TYPE
						PSD
						DOC PART
						000
						SHEET NUMBER
						2 OF 2