

THIS DRAWING IS A CONTROLLED DOCUMENT.

189	REF	819999-1	PLATE, SWITCH	124	-	-	-	59
188	REF	820000-1	CAM, ACTUATOR	123	-	-	-	58
187	-	-	-	122	-	-	-	57
186	-	-	-	121	-	-	-	56
185	-	-	-	120	-	-	-	55
184	-	-	-	119	1	22733-7	SCR.,BHC,NYLOK 8-32 .38	54
183	1	4-21006-9	SCR.,SET 10-32 X .188	118	1	819404-1	ANVIL	53
182	-	-	-	117	2	2-21000-1	SCR.,SHC. 6-32 X .62	52
181	2	2-21000-8	SCR.,SHC. 8-32 X .62	116	1	819396-1	PLATE,REAR SHEAR	51
180	4	3-21000-5	SCR.,SHC. 10-32 X .50	115	1	819395-1	SPACER,SHEAR PLATE,FRONT	50
179	-	-	-	114	1	819403-1	PLATE,FRONT SHEAR	49
178	-	-	-	113	1	819392-1	PLATE,STRIP GUIDE	48
177	-	-	-	112	1	819418-1	PLATE,BASE	47
176	2	2-21002-6	SCR.,BHC. 10-32 X .38	111	1	819390-1	RAM	46
175	-	-	-	110	2	21022-2	NUT,HEX,SELF LOCKING 8-32	45
174	-	-	-	109	2	2-22281-5	SPRING,COMPRESSION	44
173	-	-	-	108	2	21055-6	WASHER,PLAIN #8	43
172	1	374999	PLATE,TENSION ADJUSTMENT	107	2	1-21989-5	SCR.,SOC. HD. SHLD .188 X 1.25	42
171	2	21018-6	NUT,HEX 8-32	106	1	819389-1	DRAG	41
170	2	21078-8	SCR.,SET 8-32 X .50	105	1	819419-1	MOUNT,FEED BRACKET	40
169	-	-	-	104	2	21024-5	WASHER,LOCK #10	39
168	-	-	-	103	4	21055-7	WASHER,PLAIN #10	38
167	-	-	-	102	2	4-21000-1	SCR.,SHC. 10-32 X 1.50	37
166	-	-	-	101	2	3-21001-4	SCR.,SHC. 3/8-16 X .88	36
165	-	-	-	100	1	21001-1	SCR.,SHC. 1/4-20 X .38	35
164	-	-	-	99	2	21001-9	SCR.,SHC. 1/4-20 X 1.75	34
163	-	-	-	98	1	852404-1	HOUSING,APPLICATOR	33
162	-	-	-	97	3	17177-1	SCR.,BHC 1/4-20 X .75	32
161	-	-	-	96	-	-	-	31
160	2	3-21000-8	SCR.,SHC. 10-32 X .88	95	1	819374-1	CRIMPER,WIRE .120 "F"	30
159	1	844297-1	CAP, RAM, LEFT	94	1	4-690407-1	SPACER, INSULATION	29
158	-	-	-	93	1	6-21002-6	SCR,BHC 10-24 X .875	28
157	-	-	-	92	1	819422-1	SPACER,CRIMPER SCREW	27
156	2	2-21000-7	SCR.,SHC 8-32 X .50	91	1	904252-1	CRIMPER,INSULATION "OV"	26
155	2	2-21002-6	SCR.,BHC 10-32 X .38	90	-	-	-	25
154	1	819398-1	BLADE,SLUG	89	1	22292-2	COLLAR,SHAFT .18 ID.	24
153	1	844296-1	PLATE, EJECTOR	88	2	21045-6	RING,RETAINING "C"	23
152	2	21018-5	NUT HEX #6	87	1	2-23620-9	PIN, GROOVED .250 DIA	22
151	1	458778-3	SPACER, STRIPPER	86	-	-	-	21
150	1	853818-1	PLATE,EJECTOR	85	1	22202-4	NUT,HEX 5/16-24	20
149	2	2-21000-1	SCR SHC. 6-32 X .62	84	2	23241-6	BALL,STEEL	19
148	-	-	-	83	2	690603-1	SPRING,ASSIST	18
147	-	-	-	82	2	690170-1	SPRING,COMPRESSION	17
146	1	460563-1	SHROUD, GUARD	81	2	23030-1	SCR.,SHC. 6-32 X .25 (LOC-WEL)	16
145	-	-	-	80	1	22480-5	WASHER,WAVE SPRING	15
144	-	-	-	79	1	690142-5	DISC,INSULATION CRIMP	14
143	1	21009-2	SCR.,SKT.SET 1/4-20 X .25 (LOC-WEL)	78	1	690212-1	POST, RAM	13
142	1	690191-1	PLUG,NYLON	77	1	6-690141-8	DISC,WIRE CRIMP	12
141	1	819420-1	SPACER,MOUNT	76	1	690125-1	SHIM	11
140	1	819421-1	FINGER,FEED	75	1	690124-1	WASHER, RAM	10
139	2	3-21002-4	SCR.,BHC. 1/4-20 X .62	74	1	468528-1	CYLINDER,AIR	9
138	-	-	-	73	-	-	-	8
137	-	-	-	72	1	461686-2	CLEVIS,FEED	7
136	-	-	-	71	1	459609-1	BRACKET,FEED ADJUSTMENT	6
135	-	-	-	70	-	-	-	5
134	-	-	-	69	1	376169	SCREW,FEED ADJUSTING	4
133	-	-	-	68	1	376166	BLOCK,FEED ADJUSTMENT	3
132	-	-	-	67	1	376165	WASHER,CLAMP	2
131	-	-	-	66	1	374112	SPRING,FEED FINGER	1
130	4	2-21000-0	SCR.,SHC. 6-32 X .50	65	-	-	-	64
129	2	819391-1	GUIDE,FEED PAWL	64	-	-	-	63
128	2	819393-1	GUIDE,STRIP	63	-	-	-	62
127	3	2-21000-5	SHC.,SHC. 8-32 X .25	62	-	-	-	61
126	-	-	-	61	-	-	-	60
125	-	-	-	60	-	-	-	59

QTY	PART NO	DESCRIPTION	ITEM NO	QTY	PART NO	DESCRIPTION	ITEM NO
1	844128-1	GUARD, FRONT	125				

QTY	PART NO	DESCRIPTION	ITEM NO
1	844128-1	GUARD, FRONT	125

QTY	PART NO	DESCRIPTION	ITEM NO
1	844128-1	GUARD, FRONT	125

QTY	PART NO	DESCRIPTION	ITEM NO
1	844128-1	GUARD, FRONT	125

NOTES:

1 RECOMMENDED SPARE PARTS.

2 NOT SHOWN ON ASSY.

REMARKS		NO	REV
APPL USED ON MACHINE PART NO		MACH SERIAL NO	DISTRIBUTION
CUSTOMER NAME		APPL SERIAL NO	ORIGINAL
ADDRESS		PURCHASE ORDER	CUSTOMER COPY
CITY		ENG APP	FIELD ENG COPY

PAD LTR	CRIMP HEIGHT	WIRE SIZE	WIRE STRIP LENGTH	63317	
A	.071	14		63316	
B	.063	16		63315	
C	.057	18		63314	
D	NOT USED			63512	
CRIMP	SIZE	TYPE	FEED	APPL INST	63582
WIRE	.120	F	.755±.005	A1 8091	1217972-2
INSUL	.180	OV			
WIRE RANGE	18-14	INSULATION RANGE	.150 MAX	MACHINE NO	565435-5
REMARKS					
AMP-O-LECTRIC					
AIR FEED					
SHEET 1 OF 2					

THIS DRAWING IS UNPUBLISHED. RELEASED FOR PUBLICATION BY AMP INCORPORATED. ALL RIGHTS RESERVED. COPYRIGHT 19

LOC A DIST 66

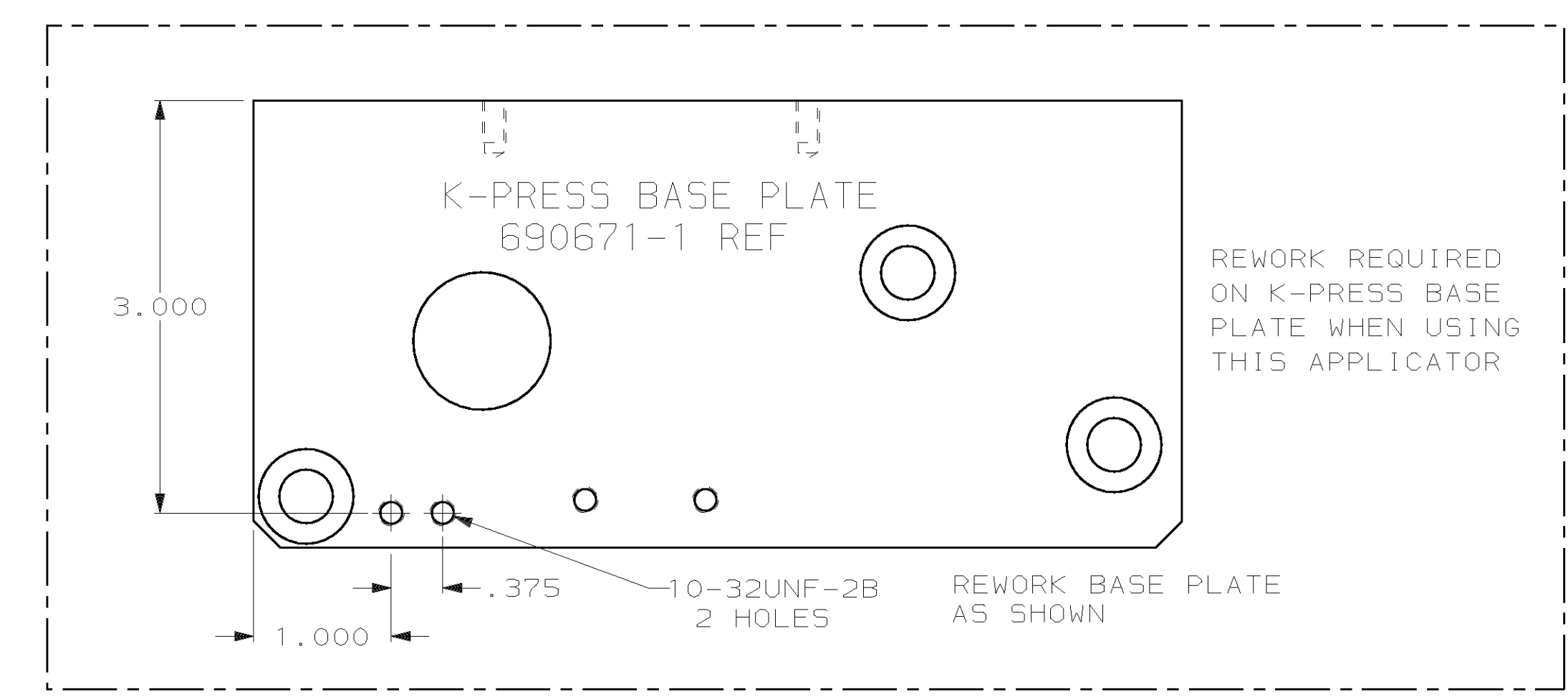
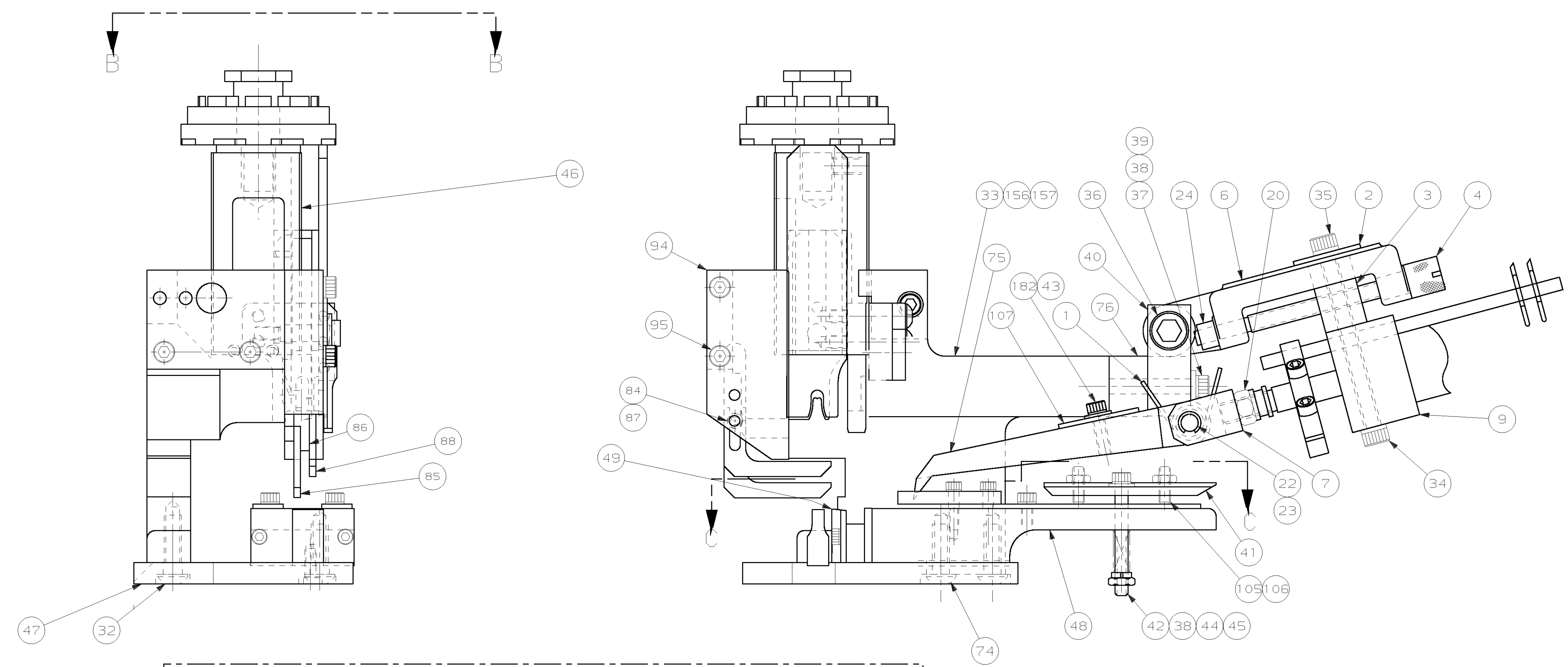
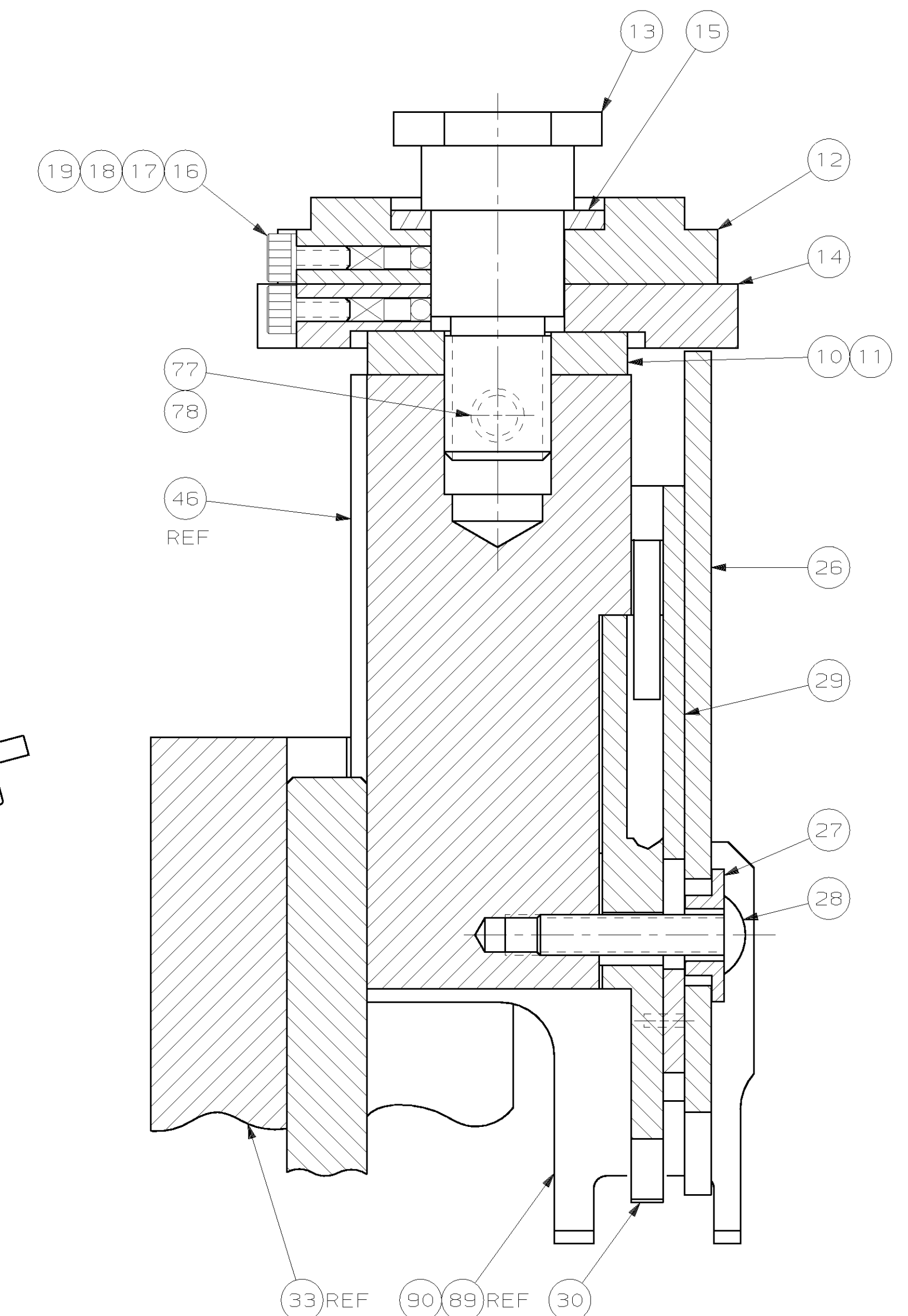
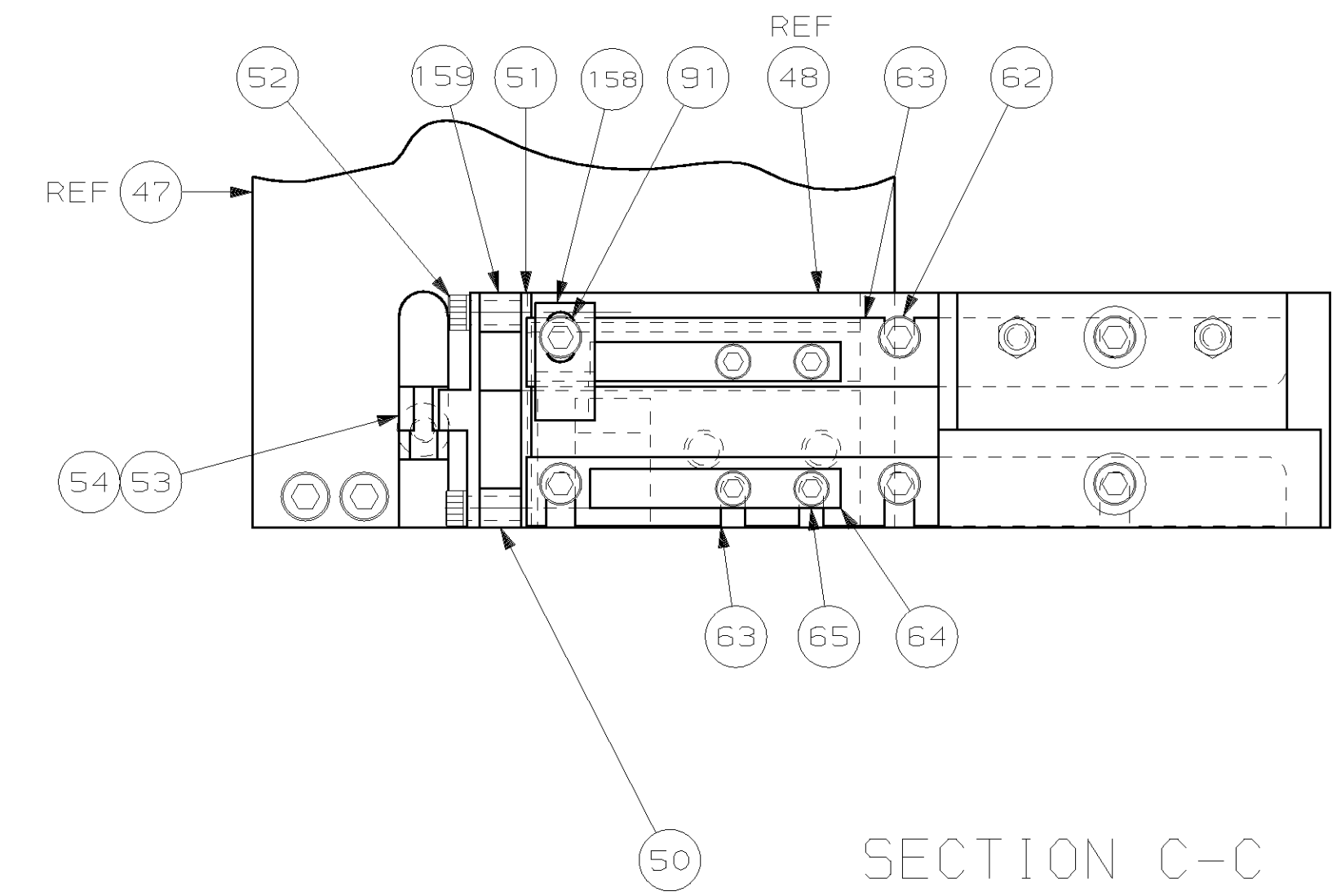
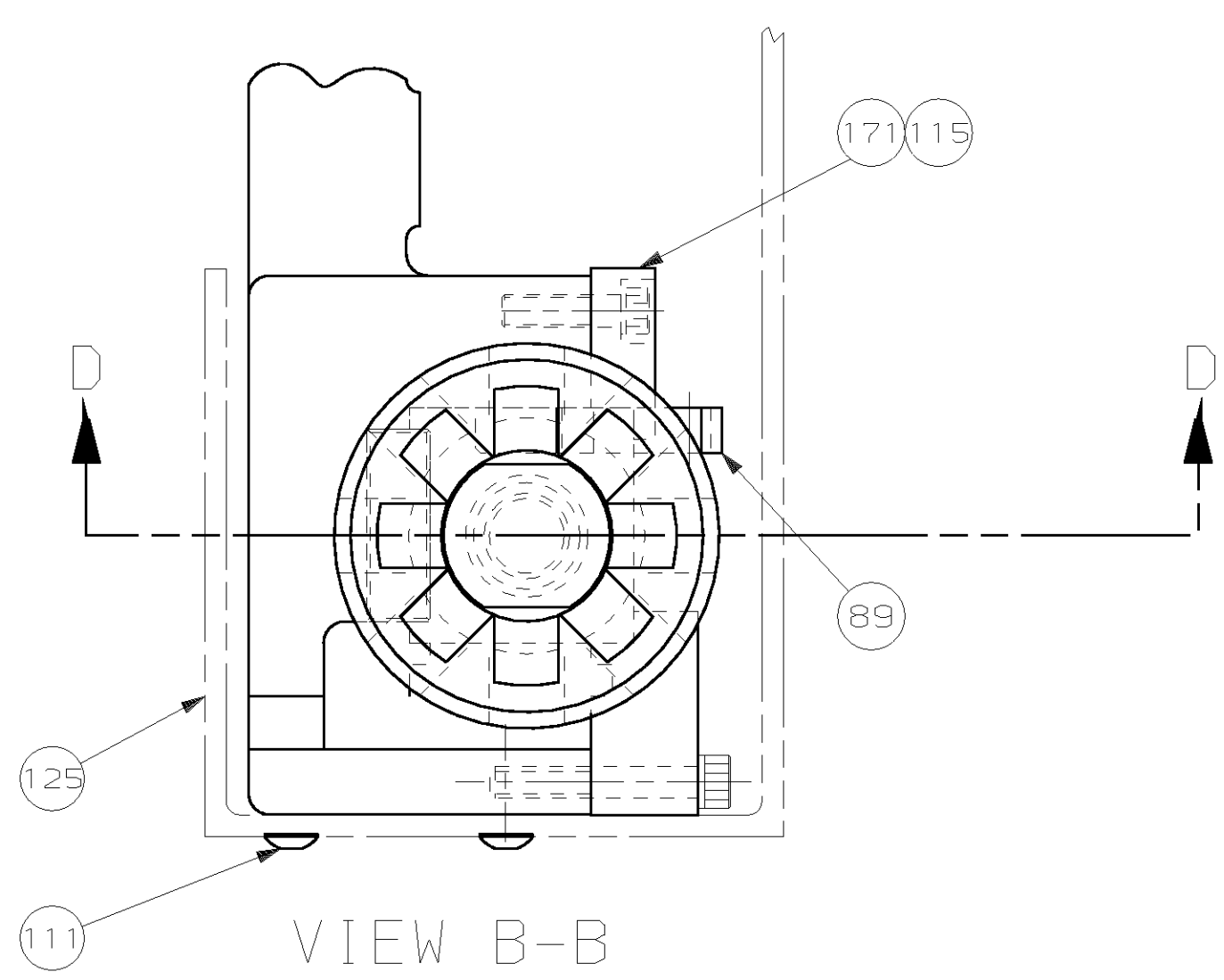
AMP INCORPORATED Harrisburg, Pa.

DR 4-24-97 P. BATHIAS APP 4-24-97 J.00005

CHK 4-24-97 C. ERISHMAN REL -

NAME MINIATURE QUICK CHANGE APPLICATOR (.187 AND .250 SERIES FLAG FASTON)

CASE CODE 00779 CUSTOMER AND ASSEMBLY DRAWING RESTRICTED TO



THIS DRAWING IS A CONTROLLED DOCUMENT.

THIS DRAWING IS UNRELEASED. RELEASED FOR PUBLICATION BY AMP INCORPORATED. ALL RIGHTS RESERVED. COPYRIGHT 19

LOC A 66

SEE SHEET 1

QTY	REV	REVISION	DATE	APP	DATE	APP	DATE	DWG SIZE	PART NO	DESCRIPTION	ITEM NO
									567288-3	MINIATURE QUICK CHANGE APPLICATOR	
DIMENSIONS IN INCHES. TOLERANCES UNLESS OTHERWISE SPECIFIED.											
MATERIAL _____ HEAT TREAT _____ FINISH _____											
DR P. MATHIAS 4-24-97 APP J. DODDS 4-24-97											
CHK C. ERISMAN 4-24-97 REL _____											
NAME _____											
SCALE 1:1 DWG NO 567288-3 SHEET 2 of 2 REV B2											
REMOVE BURRS, BREAK SHARP EDGES .015 R MAX											
CASE CODE 00779 CUSTOMER AND ASSEMBLY DRAWING RESTRICTED TO											