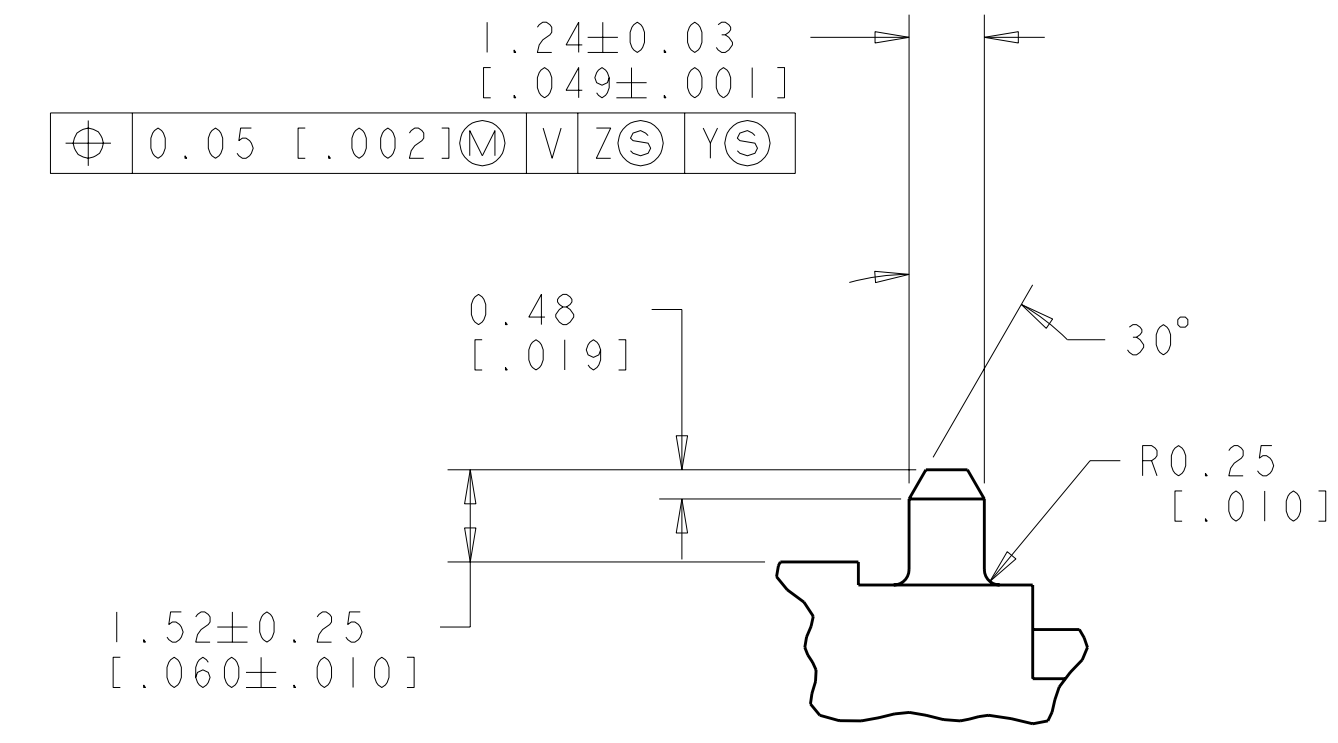
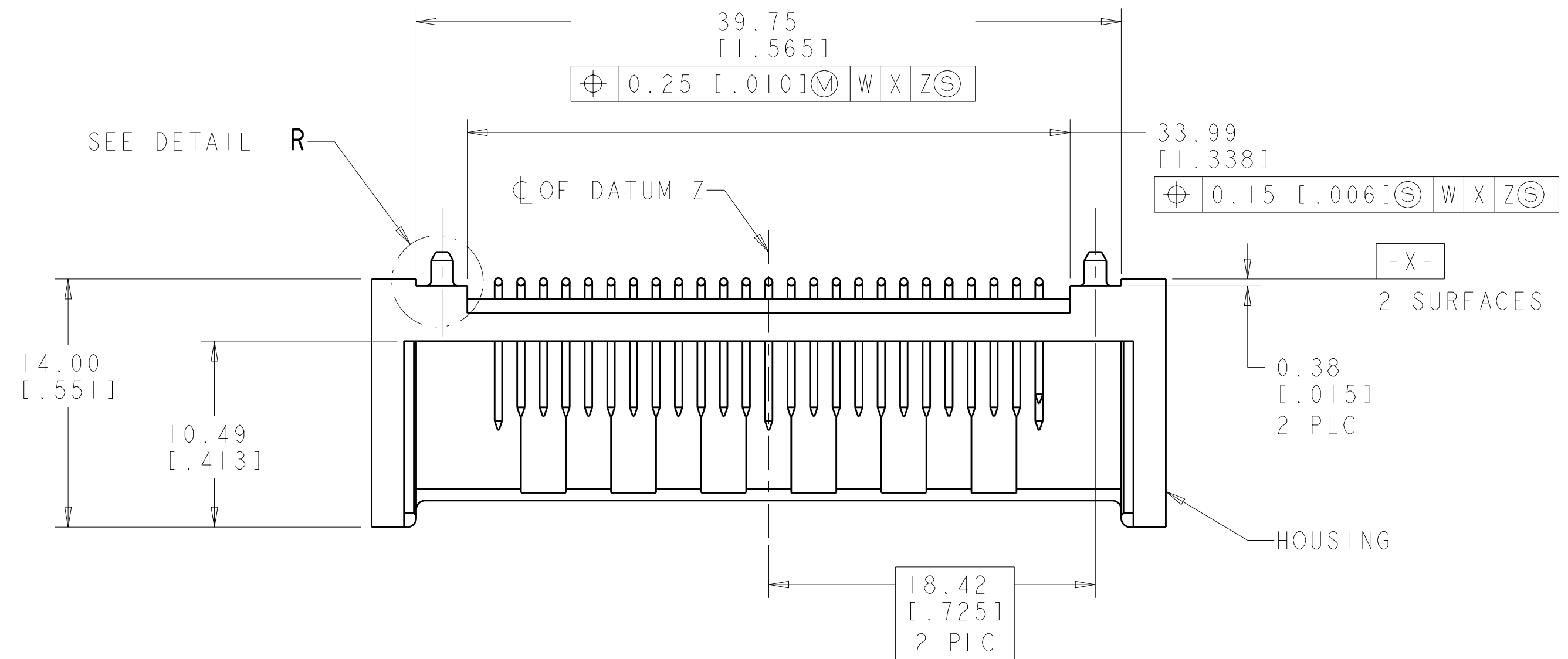
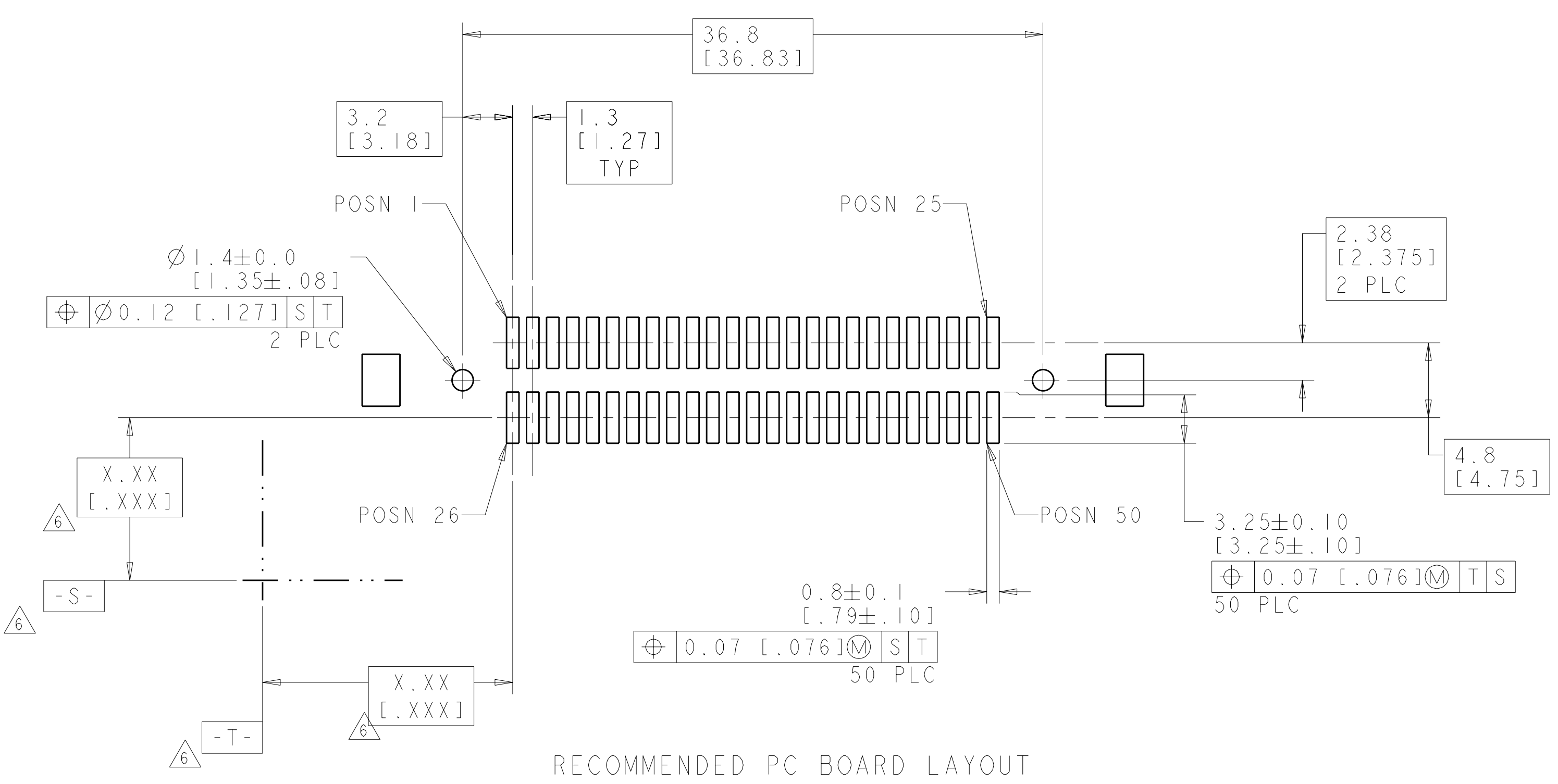
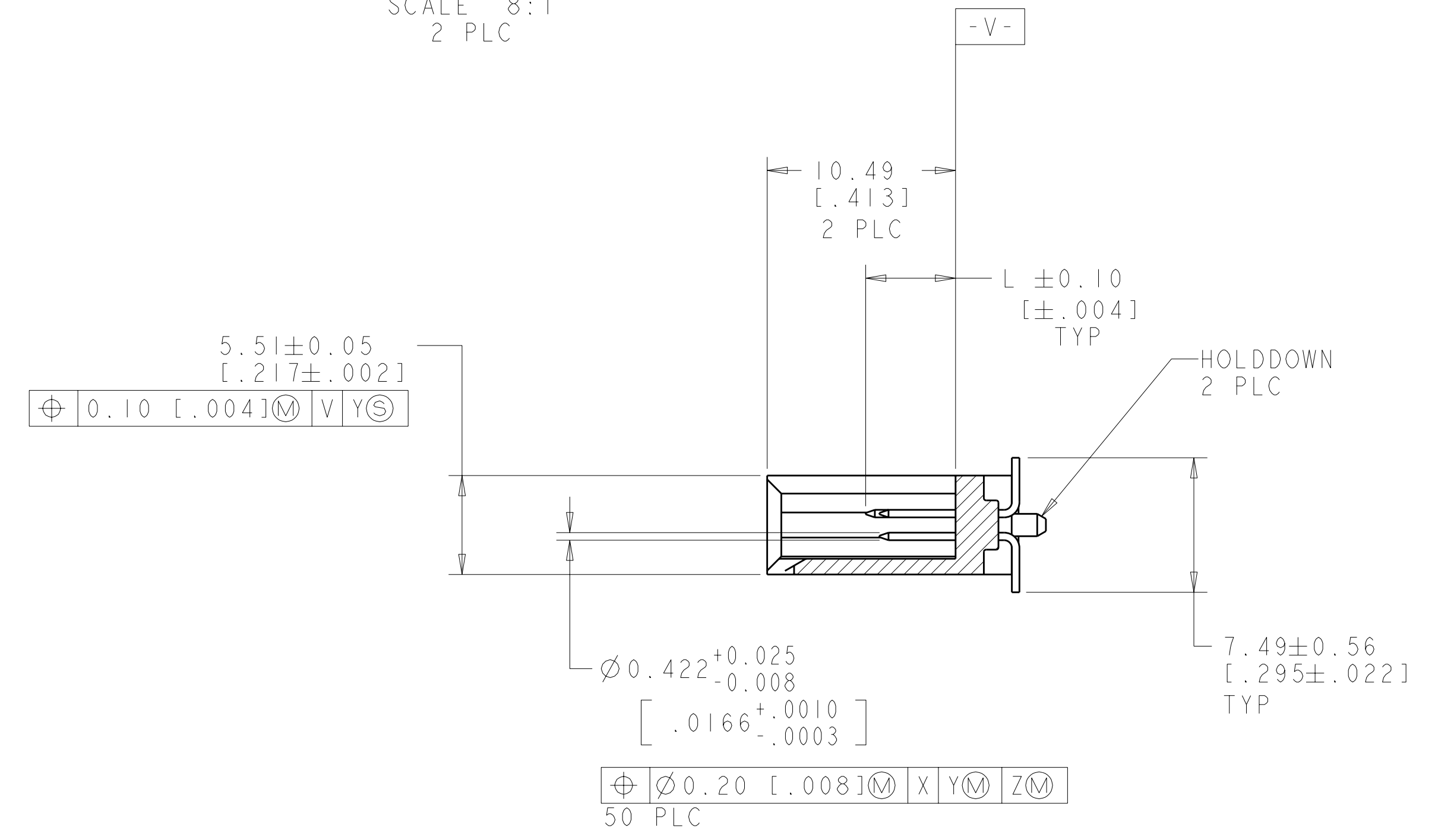
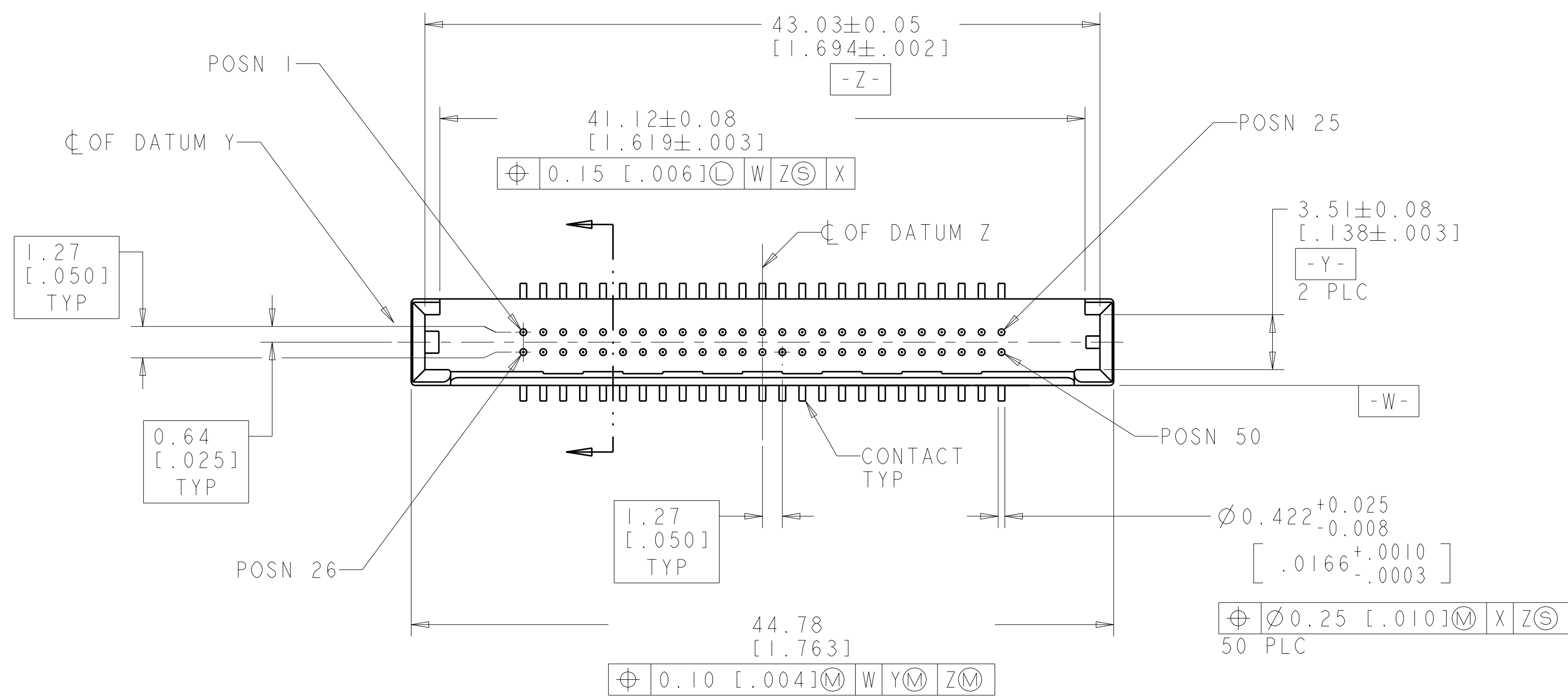


LOC	DIST	REV	DATE	BY	APPD
GP	00	A	17JUL2009	CR	DG
		A1	30JUN2010	CJV	DLG



DETAIL R
SCALE 8:1
2 PLC



RECOMMENDED PC BOARD LAYOUT

- 1 HOUSING: POLYESTER LCP, BLACK. CONTACTS: BRASS.
- 2 CONTACTS: 0.76µm[.000030] MIN GOLD FOR A LENGTH OF 3.51[.138] MIN IN CONTACT AREA, 3.81µm[.000150] MIN TIN FOR A LENGTH OF 2.0[.079] MIN ON SOLDER TAILS, ALL OVER 1.27µm[.000050] MIN NICKEL.
- 3 DIMENSION APPLIES TO POSITIONS 25 AND 26.
- 4 DIMENSION APPLIES TO POSITIONS 2 THRU 12, 14 THRU 24, 27 THRU 37 AND 39 THRU 49.
- 5 DIMENSION APPLIES TO POSITIONS 1, 13, 38 AND 50.
- 6 DATUMS AND BASIC DIMENSIONS ESTABLISHED BY CUSTOMER.

5.00 [.197] 5	4.24 [.167] 4	3.51 [.138] 3	5788643-1
L			PART NUMBER

DIMENSIONS: mm [INCHES] TOLERANCES UNLESS OTHERWISE SPECIFIED: 9 PLC ± 1 PLC ±.013 [1.005] 5 PLC ± 4 PLC ± ANGLES ± MATERIAL 1 FINISH 2		DWN G. PETERS 25NOV05 CHK D. GORENC 25NOV05 APVD M. WALMSLEY 25NOV05 PRODUCT SPEC 108-1469 APPLICATION SPEC WEIGHT CUSTOMER DRAWING	Tyco Electronics Harrisburg, PA 17105-3608 NAME PIN HEADER ASSEMBLY, VERTICAL, 50 POSITION, SURFACE MOUNT, CompactFlash SIZE CAGE CODE DRAWING NO. RESTRICTED TO A100779C=5788643 SCALE 4:1 SHEET 1 OF 1 REV A1
--	--	---	--