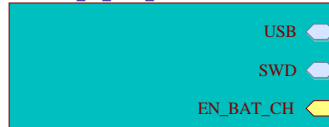


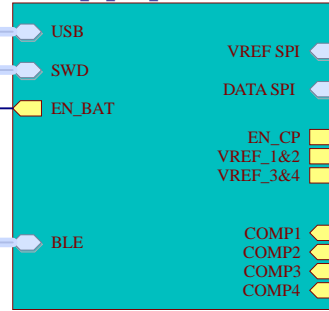
Connectors  
 HV56020\_22\_EVB\_ConnectorsPower.SchDoc



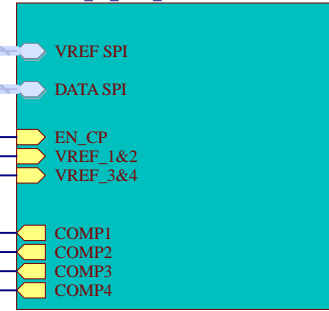
BLE BTLC1000  
 HV56020\_22\_EVB\_BLE.SchDoc



MCU SAML21  
 HV56020\_22\_EVB\_MCU.SchDoc





HV56020 & HV56022  
 HV56020\_22\_EVB\_HVDrivers.SchDoc

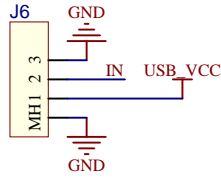
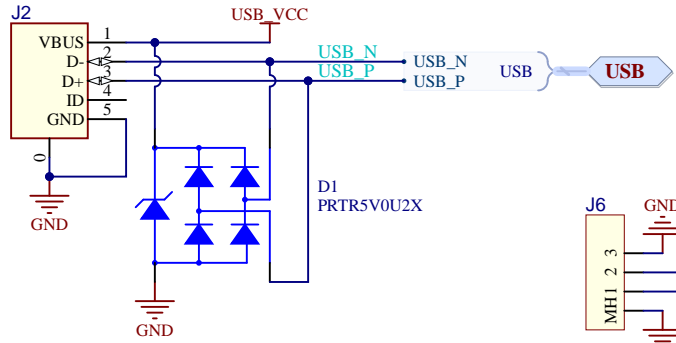
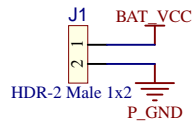


LABEL1

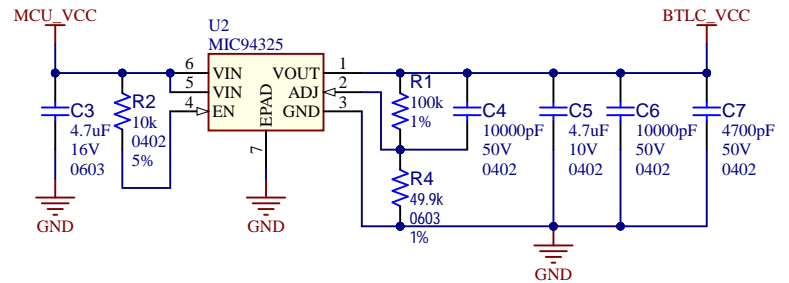
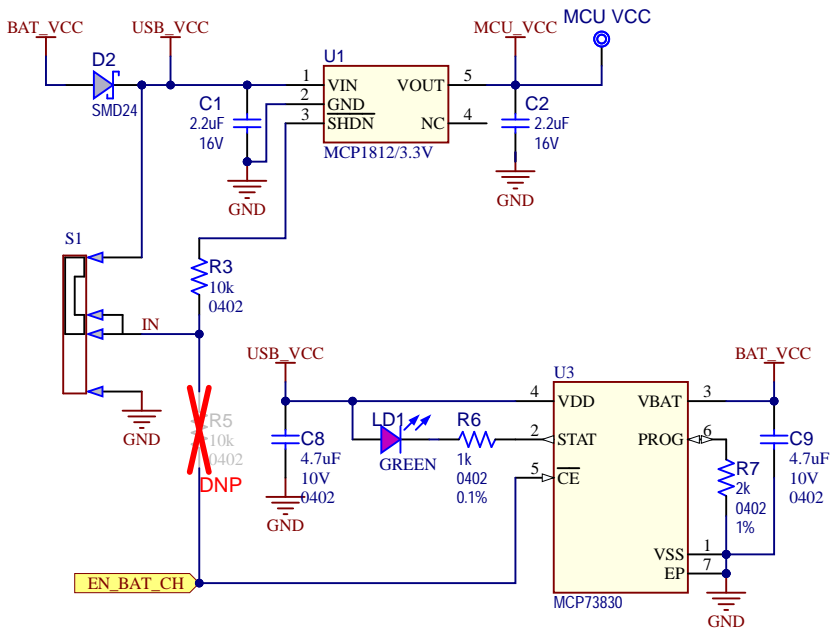
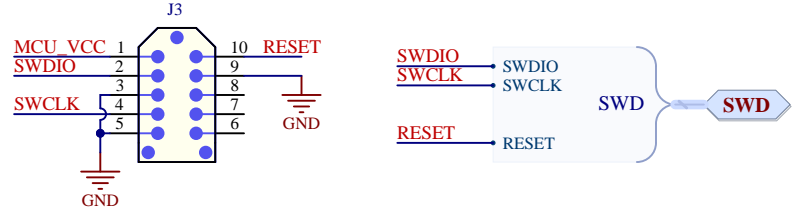
**02- -R1**  
**JIT**

LABEL Need Help Small

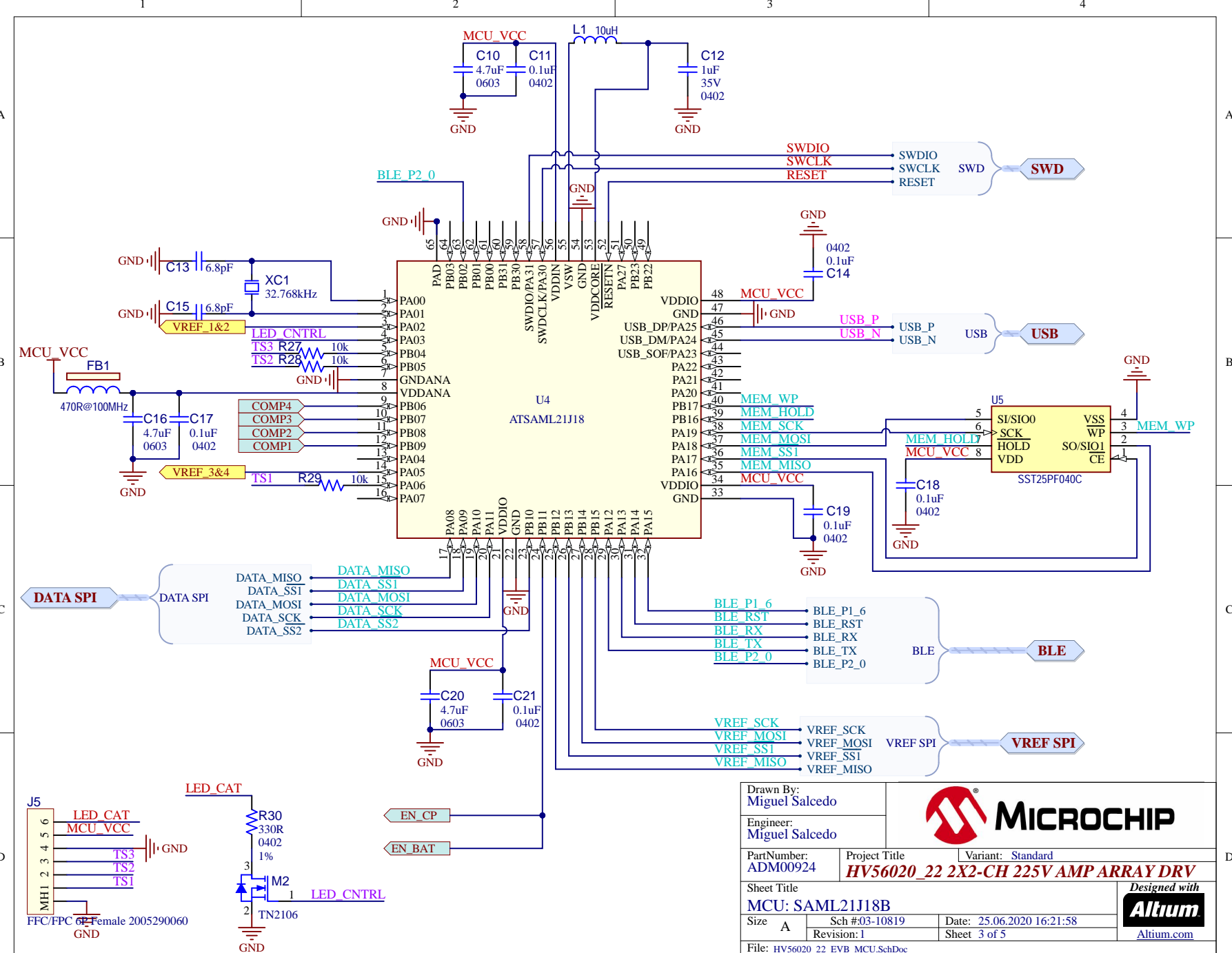
Drawn By: <b>Miguel Salcedo</b>		
Engineer: <b>Miguel Salcedo</b>		
PartNumber: <b>ADM00924</b>	Project Title <b>HV56020_22 2X2-CH 225V AMP ARRAY DRV</b>	Variant: <b>Standard</b>
Sheet Title <b>Top Sheet</b>		
Size <b>A</b>	Sch #: <b>03-10819</b> Revision: <b>1</b>	Date: <b>25.06.2020 16:21:57</b> Sheet <b>1</b> of <b>5</b>
File: <b>HV5620_22_EVB_TopLevel.SchDoc</b>		
		Designed with  <a href="http://Altium.com">Altium.com</a>



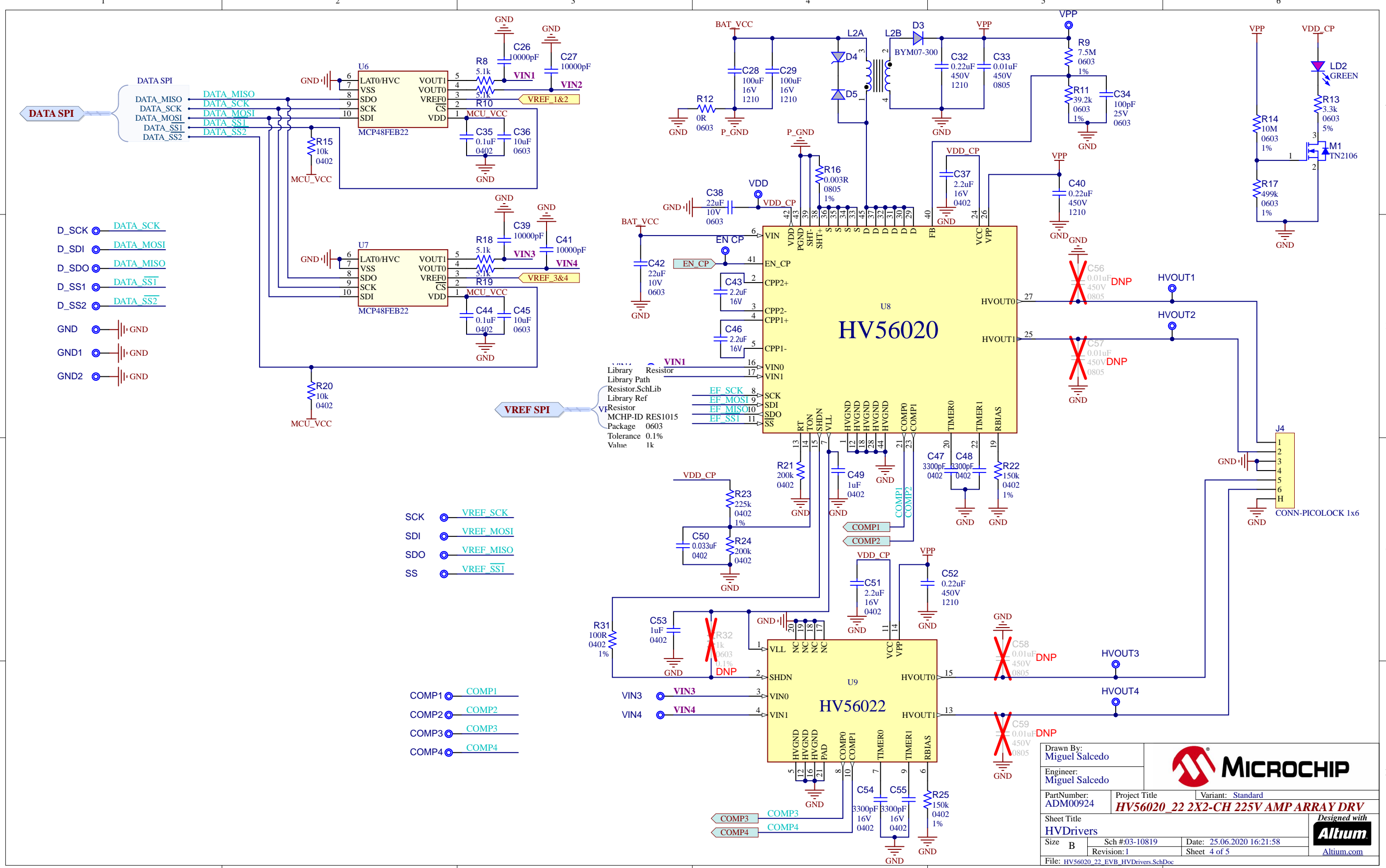
HDR-1.5 Male 1x3



Drawn By: Miguel Salcedo			
Engineer: Miguel Salcedo			
PartNumber: ADM00924	Project Title HV56020_22_2X2-CH 225V AMP ARRAY DRV	Variant: Standard	
Sheet Title Connectors		Designed with 	
Size A	Sch #03-10819	Date: 25.06.2020 16:21:57	
Revision:1		Sheet 2 of 5	
File: HV56020_22_EVB_ConnectorsPower.SchDoc			



Drawn By: <b>Miguel Salcedo</b>		
Engineer: <b>Miguel Salcedo</b>		
PartNumber: <b>ADM00924</b>	Project Title <b>HV56020_22 2X2-CH 225V AMP ARRAY DRV</b>	Variant: <b>Standard</b>
Sheet Title <b>MCU: SAML21J18B</b>		
Size <b>A</b>	Sch #03-10819 Revision: 1	Date: 25.06.2020 16:21:58 Sheet 3 of 5
File: HV56020_22_EVB_MCU.SchDoc		Designed with  Altium.com



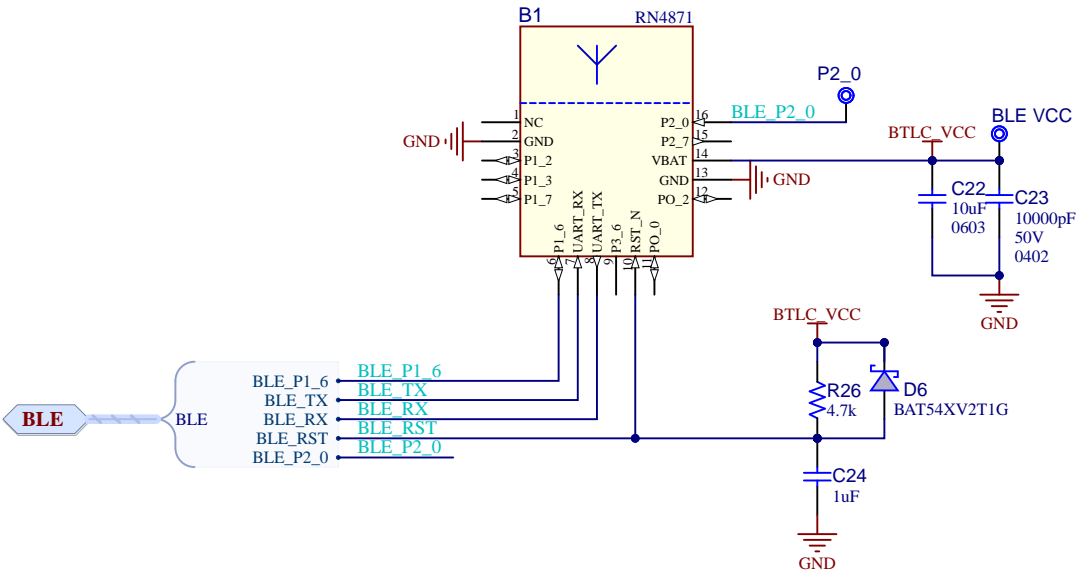
DATA SPI



D\_SCK DATA\_SCK  
 D\_SDI DATA\_MOSI  
 D\_SDO DATA\_MISO  
 D\_SS1 DATA\_SST  
 D\_SS2 DATA\_SS2  
 GND GND  
 GND1 GND  
 GND2 GND

SCK VREF\_SCK  
 SDI VREF\_MOSI  
 SDO VREF\_MISO  
 SS VREF\_SS1  
 COMP1 COMP1  
 COMP2 COMP2  
 COMP3 COMP3  
 COMP4 COMP4

Resistor  
 Library Path  
 Resistor.SchLib  
 Library Ref  
 Resistor  
 MCHP-ID RES1015  
 Package 0603  
 Tolerance 0.1%  
 Value 1k

Drawn By: Miguel Salcedo			
Engineer: Miguel Salcedo			
PartNumber: ADM00924	Project Title HV56020_22_2X2-CH 225V AMP ARRAY DRV	Variant: Standard	
Sheet Title HVDDrivers			
Size B	Sch #03-10819	Date: 25.06.2020 16:21:58	Designed with 
Revision: 1		Sheet 4 of 5	Altium.com
File: HV56020_22_EVB_HVDDrivers.SchDoc			



Drawn By: Miguel Salcedo		 <b>MICROCHIP</b>
Engineer: Miguel Salcedo		
PartNumber: ADM00924	Project Title <b>HV56020_22 2X2-CH 225V AMP ARRAY DRV</b>	Variant: Standard
Sheet Title <b>BLE: BTLC100-ZR110CA</b>		Designed with  <b>Altium</b>
Size A	Sch #03-10819	Date: 25.06.2020 16:21:58
	Revision: 1	Sheet 5 of 5
File: HV56020_22_EVB_BLE.SchDoc		