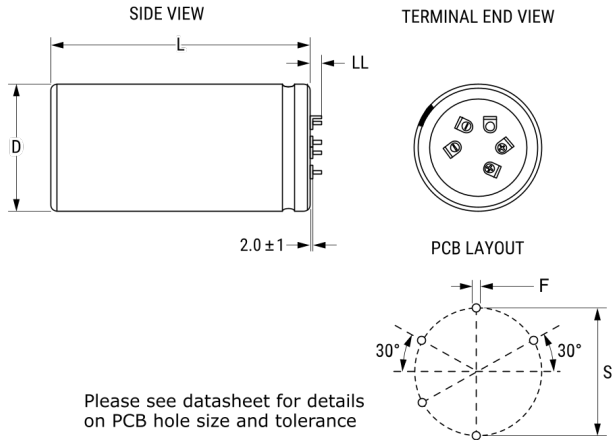


## ALF40G472EG100

Aliases (A534HJ472M100G)

ALF40, Aluminum Electrolytic, 4,700 uF, 20%, 100 VDC, -40/+105°C



Please see datasheet for details on PCB hole size and tolerance

Click [here](#) for the 3D model.

### Dimensions

D	40mm +1mm
L	55mm +/-2mm
S	25mm +/-0.1mm
LL	5.5mm +/-1mm
F	1.486mm +/-0.076mm

### Packaging Specifications

Packaging	Bulk
Packaging Quantity	36

### General Information

Series	ALF40
Dielectric	Aluminum Electrolytic
Style	Press-Fit
Description	Press-Fit, Aluminum Electrolytic
RoHS	Yes
Lead	5 Pin Press-Fit
AEC-Q200	No
Component Weight	95 g
Notes	Dimensions Include Slewing.
Shelf Life	156 Weeks

### Specifications

Capacitance	4,700 uF
Capacitance Tolerance	20%
Voltage DC	100 VDC, 115 VDC (Surge)
Temperature Range	-40/+105°C
Rated Temperature	105°C
Life	9000 Hrs (Rated Voltage and Ripple Current at 105C), 14000 Hrs (Rated Voltage at 105C)
Resistance	58 mOhms (100Hz 20C), 50 mOhms (10kHz 20C)
Ripple Current	6.67 Amps (100Hz 105C), 7.04 Amps (10kHz 105C)
Leakage Current	1410 uA (5min 20°C)