



SPECIFICATION  
FOR ELECTRO-MAGNET TRANSDUCER

TOTAL PAGE 07 [www.be-star.com](http://www.be-star.com) RoHS

Customer		Model Name	BMT1212XH9.5 LF
Customer P/N		Product No.	020101
Date	23 Oct. 2018	Issue No.	BS/TET01.012C
Page	01 of 06	Issue Date	2018/10/23

Approval:

- 1.Characteristics
- 2.Dimension
- 3.Reliability Test
- 4.Packing
- 5.Notice
- 6.History change record

Drawn by	Checked by	Approved by	Customer approved
包丽萍	李梅芳	赵 峥	

BESTAR HOLDING CO.,LTD

No.199 HuangHe West Road,New district,ChangZhou,JiangSu Province,P.R.China

**Tel:** +86 519 88222567 **Fax:** +86 519 88222551

**E-mail:**[wu@be-star.com](mailto:wu@be-star.com) **http://**[www.be-star.com](http://www.be-star.com)

# BMT1212XH9.5 LF



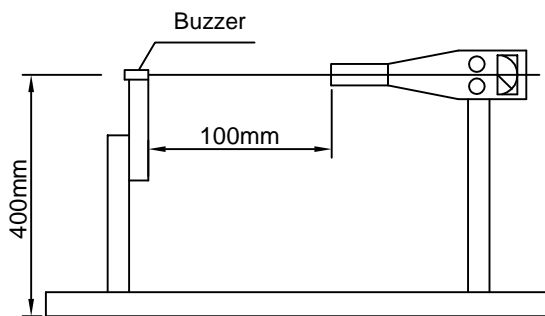
## 1. Characteristics

### 1.1 Electrical and Mechanical Characteristics

No	Item	Specification
1.	Operating Voltage	8-16V
2.	Rated Voltage	12V
3.	a)Sound Output Level at 10cm	min.85dB
4.	a)Rated Current	max.30mA
5.	a)Resonant Frequency	2300±300Hz
6.	b)Response Time	max50 ms
7.	Operating Temperature	-40...+85°C
8.	Storage Temperature	-40...+85°C
a)Value applying rated voltage(DC)		
b)Value applying (Min.operating DC voltage)		

### 1.2 Standard test Fixture

No reaction in space with in 400mm in all directions

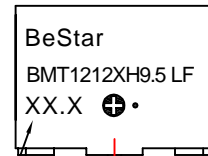
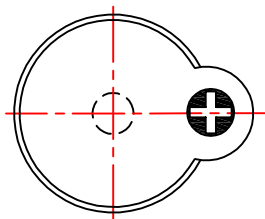
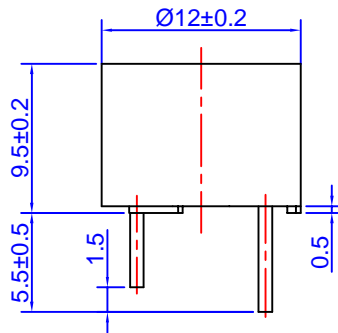
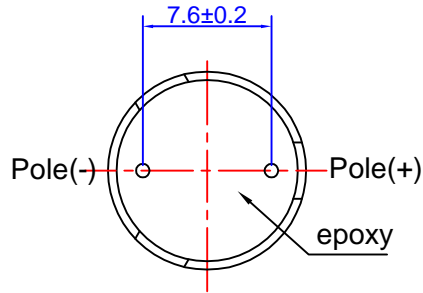


This print and information there in are proprietary to Bestar Electronics Industry Co., Ltd. and shall not be used in whole or in part without its written content

C	2018/10/23	包丽萍		Date:	2018/10/23	BMT1212XH9.5 LF	
B	2006/05/06	王善梅		Drawn by:	包丽萍		
A	2001/03/10	王善梅		Checked by:	李梅芳	Transducer	
Rev.	Date	Drawn	Note	Approved by:	赵 峥		
BESTAR HOLDING CO.,LTD						DRG NO: BS/TET01.012C	Page:2 of 7
www.be-star.com wu@be-star.com							

# BMT1212XH9.5 LF

## 2.Dimension



2-Ø0.6±0.05

Remark:  
Color of printing:golden  
"XX . X" means "year.month"  
E.g : Jun, 2011 is "11.F"

month	1	2	3	4	5	6	7	8	9	10	11	12
letter	A	B	C	D	E	F	G	H	I	J	K	L

This print and information there in are proprietary to Bestar Electronics Industry Co., Ltd. and shall not be used in whole or in part without its written content

C	2018/10/23	包丽萍		Date:	2018/10/23	BMT1212XH9.5 LF	
B	2006/05/06	王善梅		Drawn by:	包丽萍		
A	2001/03/10	王善梅		Checked by:	李梅芳	Transducer	
Rev.	Date	Drawn	Note	Approved by:	赵 峥		
BESTAR HOLDING CO.,LTD						DRG NO: BS/TET01.012C	Page:3 of 7
www.be-star.com wu@be-star.com							

# BMT1212XH9.5 LF

## 3. Reliability test

### 3.1 High temperature test

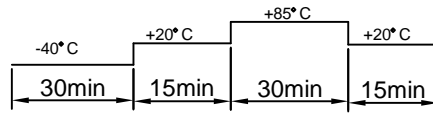
Temperature +85° C  
Duration 96hrs

### 3.2 Low temperature test

Temperature -40° C  
Duration 96hrs

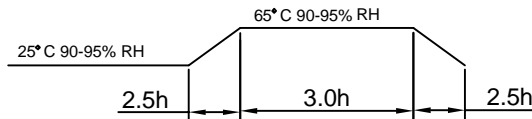
### 3.3 Temperature cycle test

Cycles 5



### 3.4 Humidity cycle test

Cycles 10



all these tests above should be measured after leaving normal temperature for 2hrs.

### 3.5 Load test

Power supply rated voltage  
Duration 1000hrs

### 3.6 Vibration Test

Vibration Frequency 10~55Hz  
Amplitude 1.5mm  
Duration x,y&z directions 30min

### 3.7 Drop test

Height 70cm  
(to 10mm thickness woodenboard)  
Direction 3(x,y&z)

### 3.8 Solderability test

Temperature 255° C  
Duration 3secs

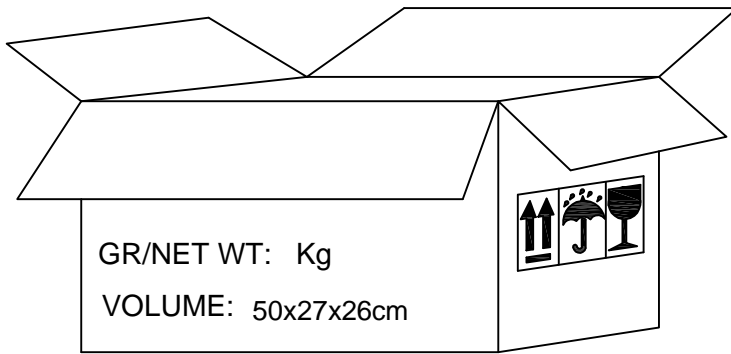
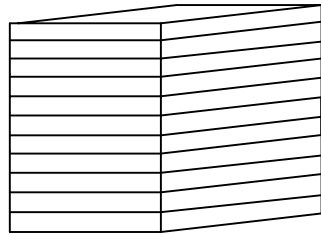
Notice: specification must be satisfied in this condition ,except S.P.L( S.P.L shall be 80dB more).

This print and information there in are proprietary to Bestar Electronics Industry Co., Ltd. and shall not be used in whole or in part without its written content

C	2018/10/23	包丽萍		Date:	2018/10/23	BMT1212XH9.5 LF	
B	2006/05/06	王善梅		Drawn by:	包丽萍		
A	2001/03/10	王善梅		Checked by:	李梅芳	Transducer	
Rev.	Date	Drawn	Note	Approved by:	赵 崢		
BESTAR HOLDING CO.,LTD						DRG NO: BS/TET01.012C	Page:4 of 7
www.be-star.com wu@be-star.com							

# BMT1212XH9.5 LF

## 4. Packing



**Remarks:**

- 1)100pcs/tray
- 2)30tray/carton
- 3)3000 pcs/carton in total
- 4)carton size 50x27x26cm

This print and information there in are proprietary to Bestar Electronics Industry Co., Ltd. and shall not be used in whole or in part without its written content

C	2018/10/23	包丽萍		Date:	2018/10/23	BMT1212XH9.5 LF	
B	2006/05/06	王善梅		Drawn by:	包丽萍		
A	2001/03/10	王善梅		Checked by:	李梅芳	Transducer	
Rev.	Date	Drawn	Note	Approved by:	赵 峥		
BESTAR HOLDING CO.,LTD						DRG NO: BS/TET01.012C	Page:5 of 7
<a href="http://www.be-star.com">www.be-star.com</a> <a href="mailto:wu@be-star.com">wu@be-star.com</a>							

# BMT1212XH9.5 LF

## 5. Notice

5.1 The products mustn't be washed

### 5.2 Storage Condition

The products should be stored in the room, where the temperature/humidity is stable. And avoid such places where there are large temperature changes. Please store the products at the following conditions:

Temperature: -10 to + 40°C Humidity: 15 to 85% R.H.

### 5.3 Expire Date on Storage

Expire date (Shelf life) of the products is six months after delivered under the conditions of a sealed and an unopened package. Please use the products within six months after delivered.

If you store the products for a long time (more than six months), use carefully because the products may be degraded in the solderability and/or rusty. Please confirm solderability and characteristics for the products regularly.

### 5.4 Notice on Product Storage

(1) Please do not store the products in a chemical atmosphere (Acids, Alkali, Bases, Organic gas, Sulfides and so on), because the characteristics may be reduced at quality, and/or be degraded in the solderability due to the storage in a chemical atmosphere.

(2) Please use the products immediately after the package is opened, because the characteristics may be reduced at quality, and/or be degraded in the solderability due to storage under the poor condition.

This print and information there in are proprietary to Bestar Electronics Industry Co., Ltd. and shall not be used in whole or in part without its written content

C	2018/10/23	包丽萍		Date:	2018/10/23	BMT1212XH9.5 LF	
B	2006/05/06	王善梅		Drawn by:	包丽萍		
A	2001/03/10	王善梅		Checked by:	李梅芳	Transducer	
Rev.	Date	Drawn	Note	Approved by:	赵 崢		
BESTAR HOLDING CO.,LTD						DRG NO: BS/TET01.012C	Page:6 of 7
www.be-star.com wu@be-star.com							

# BMT1212XH9.5 LF

## 6. History change record

version No.	Change Items		Date	Drawn	Approved
	Before	After			
A			2001/03/10	王善梅	查红红
B		RoHS	2006/05/06	王善梅	郭敏
C	Operating Voltage:8-15V	Operating Voltage:8-16V,change the drawing,increase printing.	2018/10/26	包丽萍	赵峥

This print and information there in are proprietary to Bestar Electronics Industry Co., Ltd. and shall not be used in whole or in part without its written content

C	2018/10/23	包丽萍		Date:	2018/10/23	BMT1212XH9.5 LF	
B	2006/05/06	王善梅		Drawn by:	包丽萍		
A	2001/03/10	王善梅		Checked by:	李梅芳	Transducer	
Rev.	Date	Drawn	Note	Approved by:	赵峥		
BESTAR HOLDING CO.,LTD						DRG NO: BS/TET01.012C	Page:7 of 7
<a href="http://www.be-star.com">www.be-star.com</a> <a href="mailto:wu@be-star.com">wu@be-star.com</a>							