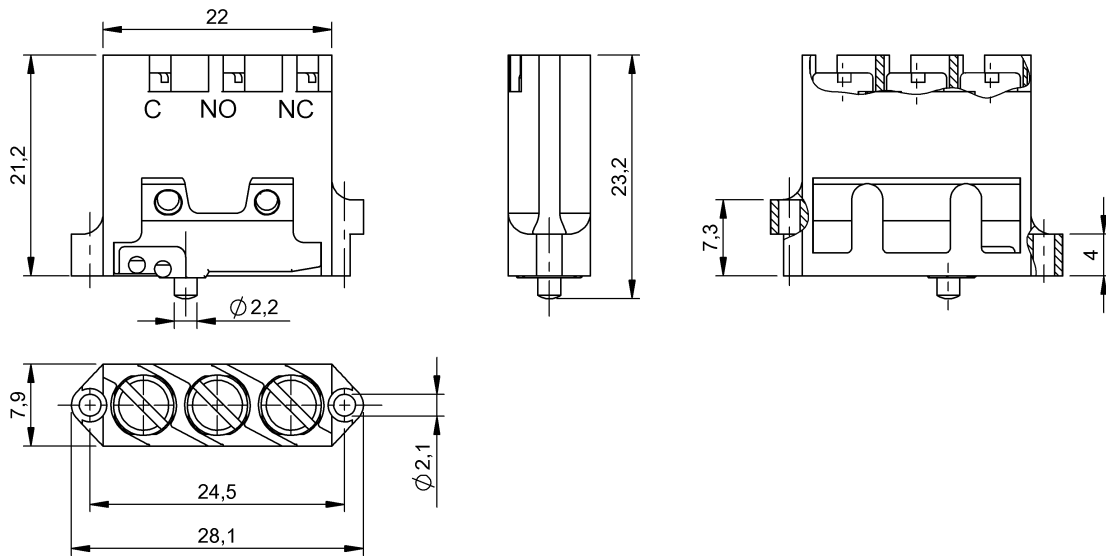


Mechanical Cam Switches  
**BSE 70.1-RK**  
 Order Code: BSE000J

**BALLUFF**



**Basic features**

<b>Approval/Conformity</b>	CSA
	CE
	CCC
	WEEE
	EAC
<b>Bounce time max.</b>	2.0 ms
<b>Switching time</b>	10 ms
<b>Use with series</b>	EGT 100
	EGT 99
	RGT 40
	RGT 46

**Electrical connection**

<b>Connection type</b>	1. Switch position: Screw terminal
<b>Contact system</b>	Single-pin changeover

**Electrical data**

<b>Contact arrangement</b>	NC: C+NC NO: C+NO
<b>Contact resistance max.</b>	240 mOhm
<b>Contact resistance max., note</b>	New condition
<b>Continuous current</b>	1. Switch position: 5.0 A
<b>Mechanical life expectancy min.</b>	10 mil. switching operations
<b>Minimum load at 24 V DC</b>	20.0 mA
<b>Nominal voltage</b>	250 VAC
<b>Rated continuous current</b>	6.0 A
<b>Rated operating current Ie</b>	5 A
<b>Rated operating current Ie AC</b>	5 A
<b>Rated operating voltage Ue AC</b>	250 V
<b>Rated operating voltage Ue DC</b>	220 V
<b>Switching actuation force max.</b>	1.50 N
<b>Switching operations per minute</b>	200
<b>Switching principle</b>	Snap switch
<b>Switchover time max.</b>	10.0 ms

**Environmental conditions**

<b>Ambient temperature</b>	-5...85 °C
----------------------------	------------

**Material**

<b>Housing material</b>	Thermoplast, GF
<b>Material contacts</b>	Silver
<b>Material contacts</b>	1. Switch position: Silver

Mechanical data

Connection cross-section

0.75 mm<sup>2</sup>

Tightening torque max.

12 Ncm

Wiring Diagrams

