



East Electronics



Product Specification

48273 Lakeview Blvd
 Fremont, CA 94538, U.S.A
 Tel: 510-413-0002
 Fax: 510-413-0010
<http://www.east-elec.com>

Product Name:	Inductor
Part Number:	ELB-60
Version:	1.1
Date:	2019-7-15
Note:	

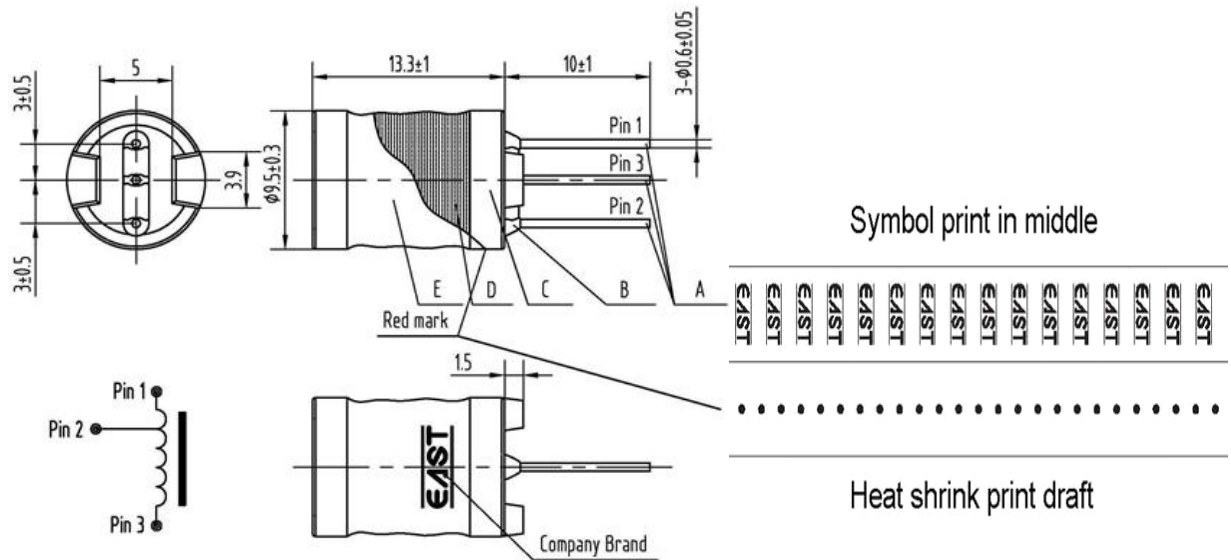
East is an ISO 9001 , IATF16949 and ISO 14001 Certified Company

Revision History

Rev.	Description	Author/Date	Checked By	Approver
1.1	Update wave soldering information	吕文斌 2019-7-15	俞凯	王建成
1.09	Operation temperature extend to -40°C - 85°C	吕文斌 2017-12-8	俞凯	王建成
1.08	Low operation temperature extend to -30 Degree C	吕文斌 2017-10-25	俞凯	王建成

1. Part Number ELB-60

2. Dimension Drawing (Unit: mm)



NO	A	B	C	D	E
NAME	PIN	EPOXY	FERRITE CORE	COIL	THERMOPLASTIC

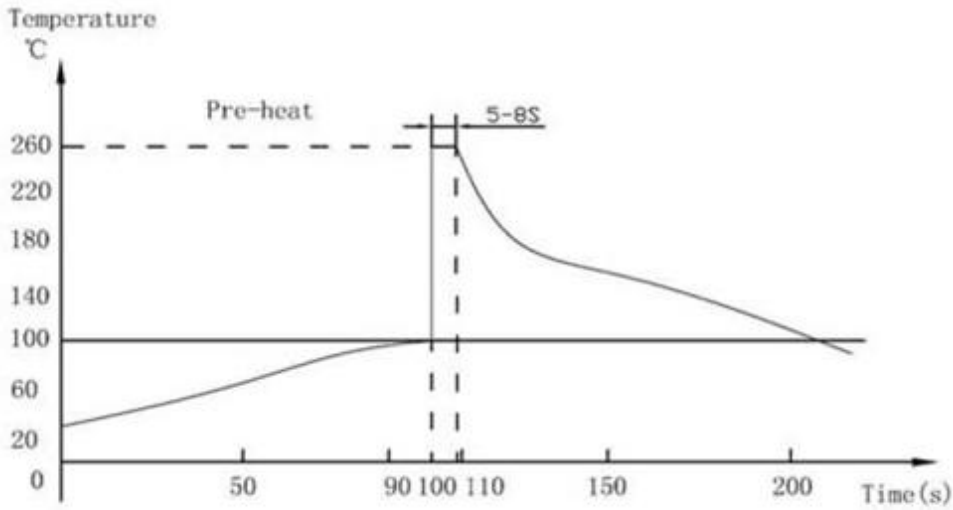
NOTE : The thermoplastic colour is dark green

3. Specification

No.	Item	Specification
3-1	Pin's Material & Length	Φ0.6 Cu/Sn pin1/10mm pin2/10mm pin3/10mm
3-2	Testing Frequency	3000Hz
3-3	Coil Quality	≥17.5
3-4	DC Resistance	$R_{13} \leq 65\Omega$ $R_{12} \leq 32\Omega$
3-5	Inductance	$L_{13} = 60 \pm 2$ mH $L_{12} = 21.5 \pm 1$ mH
3-6	Coil Circle Number	$N_{13} = 1200$ $N_{12} = 730$
3-7	Coil Dimension	Φ0.1
3-8	Coiling Sealing	Collating, Thermoplastic Sealing
3-9	Operating Temperature	-40~+85°C
3-10	Weight	4g

4. Lead-Free Wave Soldering heat resistance

- a) Pre-heating conditions shall be $+60^{\circ}\text{C} \sim 100^{\circ}\text{C}$ for 40~60 seconds. (See Figure)
- b) Heating conditions shall be $+255^{\circ}\text{C} \sim 265^{\circ}\text{C}$ for 5~8 seconds. (See Figure)



Lead-Free wave soldering chart

5. Packing Information

Packing: 3000 pcs per export carton
Carton Size: 30.5× 23.5× 15.5 cm
G. Weight: 13 kgs N. Weight: 12 kgs