

2014

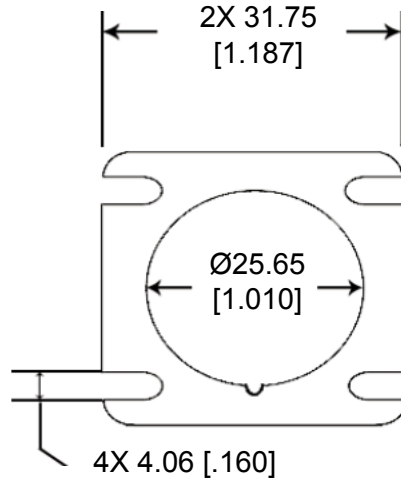
RELEASED FOR PUBLICATION

THIS DRAWING IS UNPUBLISHED.

ALL RIGHTS RESERVED. © COPYRIGHT 2014 BY TE CONNECTIVITY

REVISIONS

P	LTR	DESCRIPTION	DATE	DWN	APVD
	A	NEW RELEASE PER ECO-14-012862	08-27-14	DM	DM



- 4. THICKNESS: 3.18 [.125]
- 3. PART NO. HD10-5-GKT
- 2. TEMPERATURE RATING: -57°C TO +107°C [-70°F TO +225°F]
- 1. THIS PART IS USED ON HD10-5-XXX RECEPTACLES, WHERE XXX IS PIN ARRANGEMENTS. SEE INVIDUAL CUSTOMER DRAWINGS

DIMENSIONS: <b>MM [INCH]</b>	DWN D. MEYER 27AUG2014	MATERIAL CLD CELL SPONGE	FINISH BLACK
	CHK I. GRANTCHAROVA 27AUG2014	TE Connectivity	
TOLERANCES UNLESS OTHERWISE SPECIFIED:	APVD D. MEYER 27AUG2014		
0 PLC ±	PRODUCT SPEC	SIZE A 4	CAGE CODE 4AFU8
1 PLC ±	APPLICATION SPEC	DRAWING NO	RESTRICTED TO
2 PLC ± 0.76 [.030]		© HD10-5-GKT	-
3 PLC ±			
4 PLC ±	WEIGHT .10 g		
ANGLES ± 5°	Customer Drawing	SCALE NONE	SHEET 1 OF 1 REV A

