

METAL & EMC LOCKNUTS

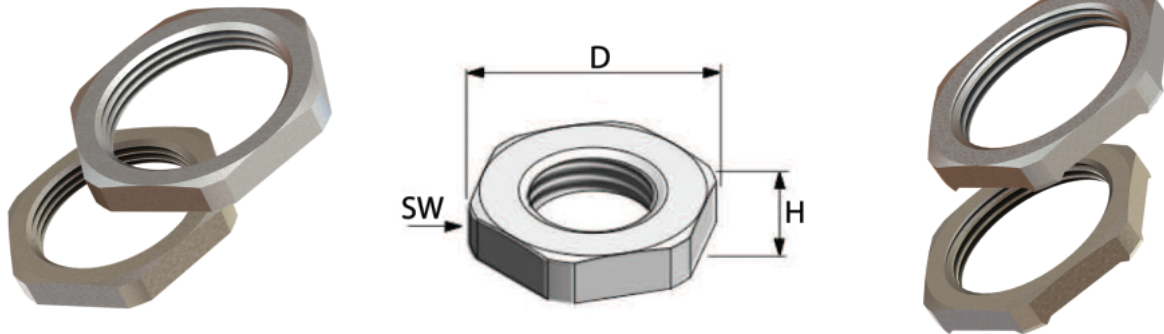
METRIC, PG & NPT THREAD

EMC locknut has grounding teeth to make connection to metal panels or control boxes.

Technical details:

Material:

Brass, Nickel Plated



Part Number	Thread Type	Height (H) mm	Diameter (D) mm	Wrenching Flats (SW) mm
Metric-Standard				
LMM-12	M12x1.5	2.8	16.6	15
LMM-16	M16x1.5	3.0	21.0	19
LMM-20	M20x1.5	3.5	26.5	24
LMM-25	M25x1.5	4.0	33.0	30
LMM-32	M32x1.5	5.0	39.5	36
LMM-40	M40x1.5	5.0	51.0	46
LMM-50	M50x1.5	5.0	66.0	60
LMM-63	M63x1.5	6.0	77.0	70
LMM-72	M72x2.0	7.0	86.0	77
LMM-75	M75x2.0	7.0	89.6	80
LMM-80	M80x2.0	8.0	100.0	90
LMM-85	M85x2.0	8.0	106.2	95
LMM-90	M90x2.0	8.0	112.0	100
PG-Standard				
LPM-7	PG 7	2.8	16.6	15
LPM-9	PG 9	2.8	20.0	18
LPM-11	PG 11	3.0	23.5	21
LPM-13	PG 13.5	3.0	25.5	23
LPM-16	PG 16	3.0	29.0	26
LPM-21	PG 21	3.5	35.5	32
LPM-29	PG 29	4.0	45.0	41
LPM-36	PG 36	5.0	56.0	51
LPM-42	PG 42	5.0	66.0	60
LPM-48	PG 48	5.5	70.5	64
NPT-Standard				
LNM-3/8	NPT 3/8	5.0	24.5	22
LNM-1/2	NPT 1/2	5.0	30.0	27
LNM-3/4	NPT 3/4	5.0	36.5	33
LNM-1	NPT 1	5.0	46.5	43

Part Number	Thread Type	Height (H) mm	Diameter (D) mm	Wrenching Flats (SW) mm
Metric-EMC				
LME-12	M12x1.5	3.3	16.5	15
LME-16	M16x1.5	3.5	21.0	19
LME-20	M20x1.5	3.5	26.5	24
LME-25	M25x1.5	3.5	33.0	30
LME-32	M32x1.5	4.0	39.5	36
LME-40	M40x1.5	4.6	51.0	46
LME-50	M50x1.5	5.6	66.0	60
LME-63	M63x1.5	6.7	77.0	70
PG-EMC				
LPE-7	PG 7	3.3	16.6	15
LPE-9	PG 9	3.3	20.0	18
LPE-11	PG 11	3.5	23.5	21
LPE-13	PG 13.5	3.5	25.5	23
LPE-16	PG 16	3.5	29.0	26
LPE-21	PG 21	4.0	35.5	32
LPE-29	PG 29	4.6	45.0	41
LPE-36	PG 36	5.6	56.0	51
LPE-42	PG 42	5.6	66.0	60
LPE-48	PG 48	6.1	70.5	64
NPT-EMC				
LNE-1/4	NPT 1/4"	5.5	18.8	17
LNE-3/8	NPT 3/8"	5.7	24.0	22
LNE-1/2	NPT 1/2"	6.7	26.5	24
LNE-3/4	NPT 3/4"	6.5	33.0	30
LNE-1	NPT 1"	7.6	44.5	40
LNE-1 1/4	NPT 1 1/4"	7.6	55.5	50
LNE-1 1/2	NPT 1 1/2"	8.7	64.0	58
LNE-2	NPT 2"	10.8	78.0	70

Stainless steel locknuts are available upon request

E-mail: info@sabcable.com



Web site: www.sabcable.com