

# Customer Information Sheet

DRAWING No.: M80-904XX02

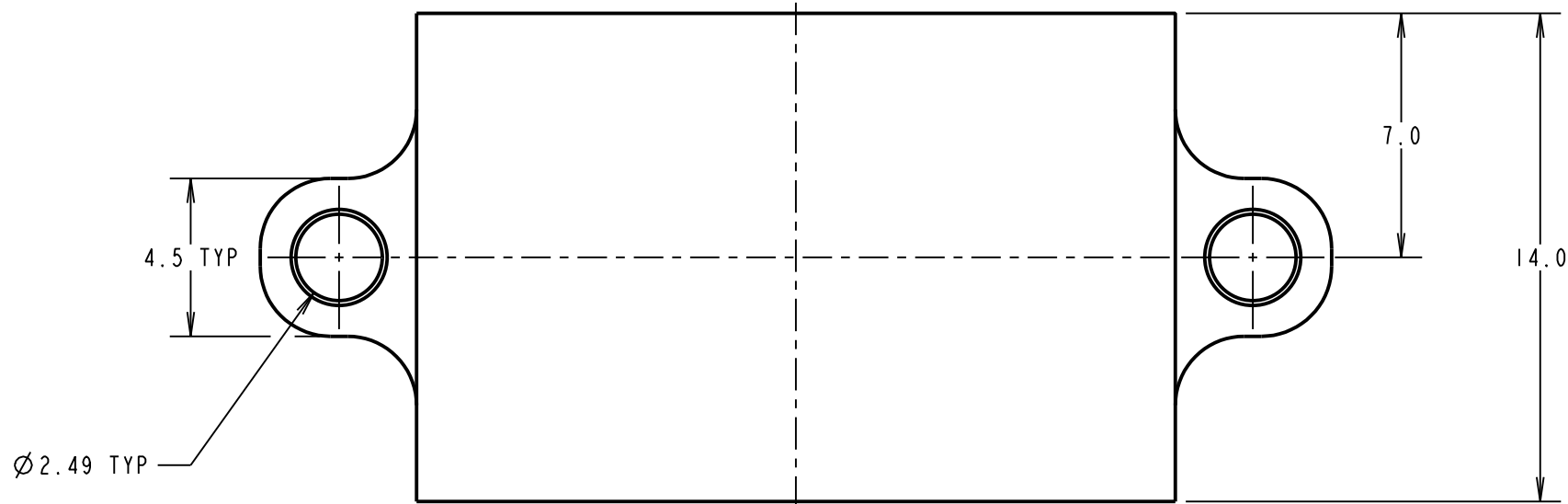
IF IN DOUBT - ASK

©

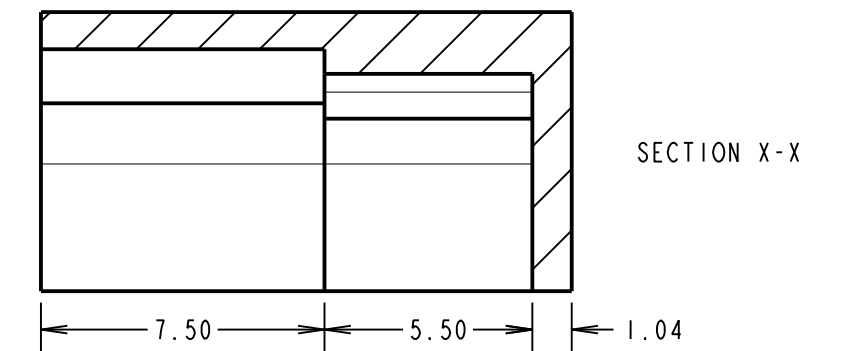
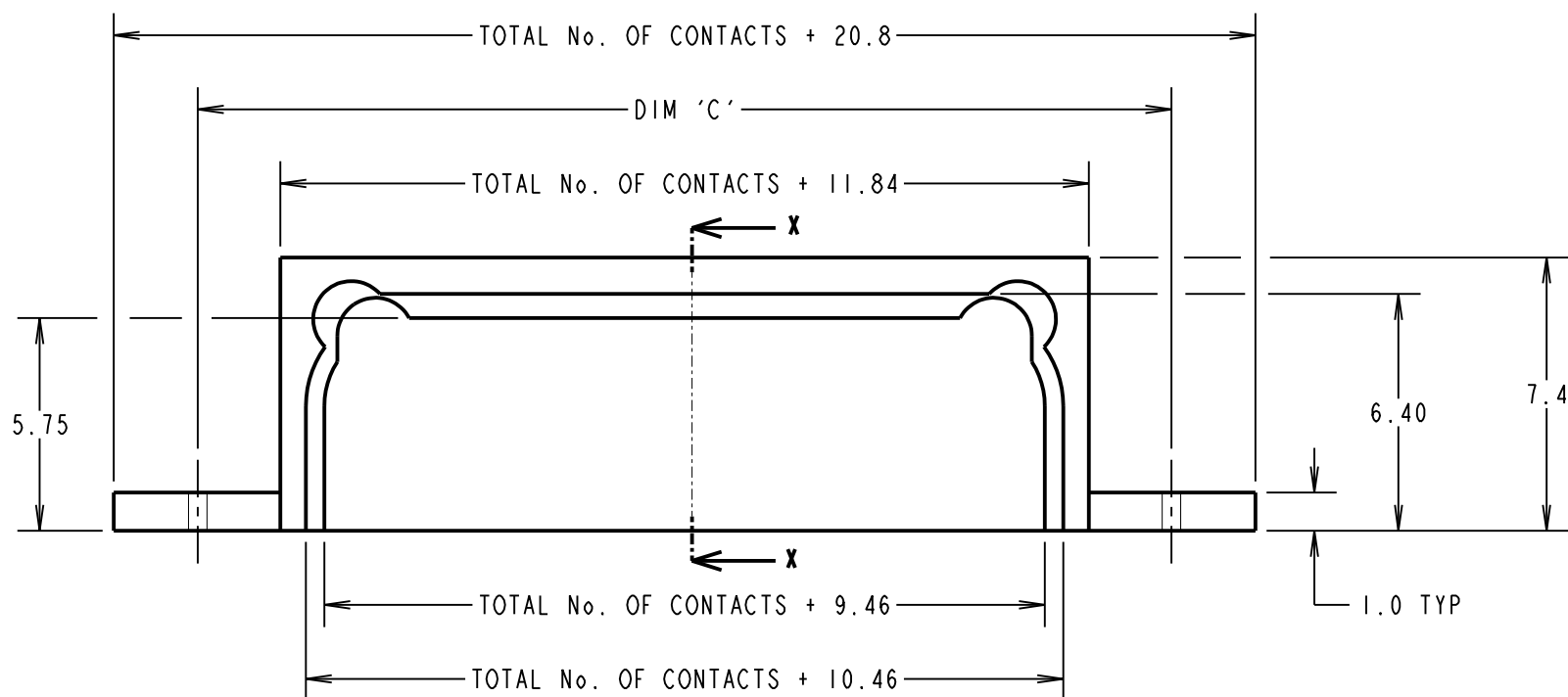
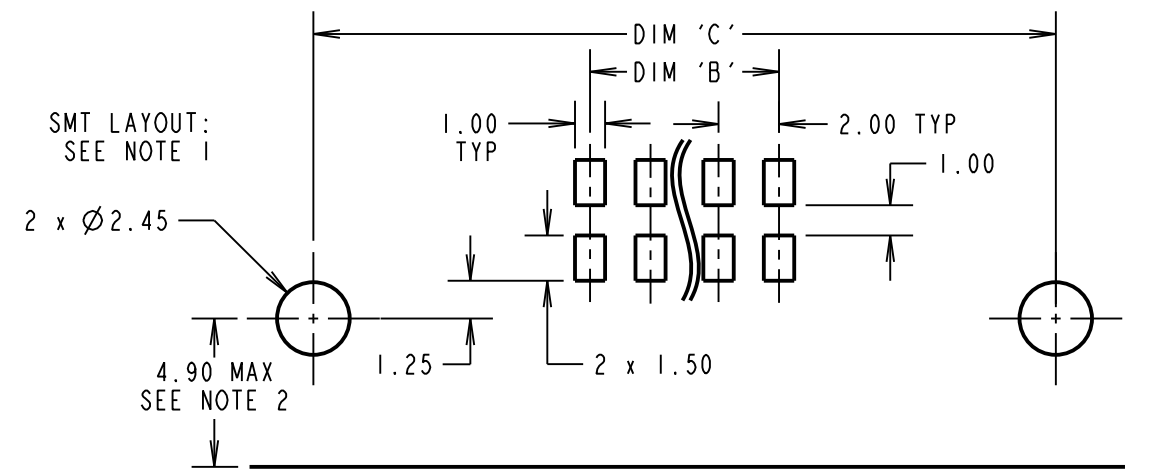
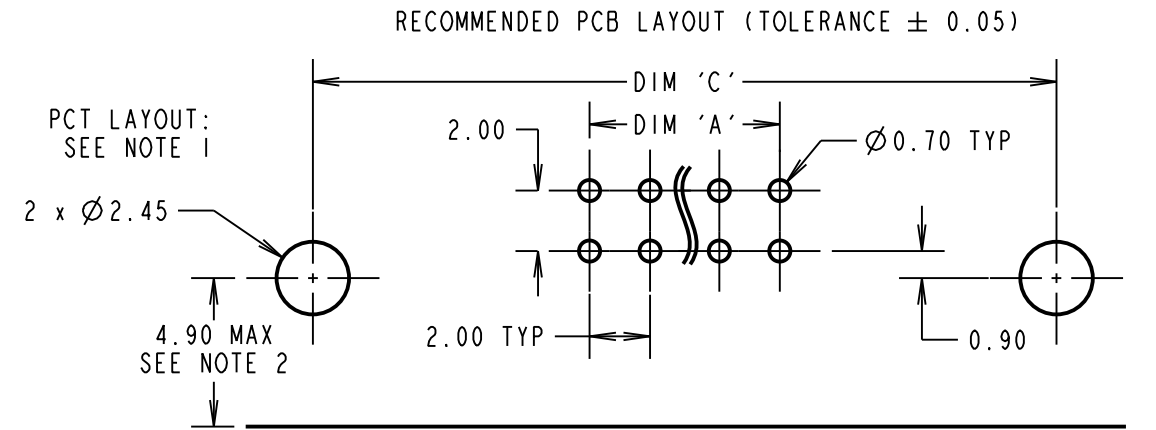
NOT TO SCALE

THIRD ANGLE PROJECTION

ALL DIMENSIONS IN mm



Ø 2.49 TYP



- NOTES:
- ALL PCB LAYOUTS DRAWN WITH MATING FACE BELOW PINS/PADS. LAYOUTS ONLY FOR BACKSHELL MOUNTING, FOR CONNECTOR PCB LAYOUT SEE COMPONENT DRAWING.
  - MAXIMUM DISTANCE FROM EDGE OF BOARD WHEN PAIRING WITH SHIELDED CABLE.
  - MOUNTING HARDWARE NOT PROVIDED, M2 FIXINGS WITH 4.5mm MAX BOLT HEAD DIAMETER RECOMMENDED. BOLT FROM ABOVE.

DIMENSION	CALCULATION
DIM 'A'	TOTAL No. OF CONTACTS - 2
DIM 'B'	TOTAL No. OF CONTACTS - 2
DIM 'C'	TOTAL No. OF CONTACTS + 16.3

ORDER CODE:  
**M80-904XX02**

TOTAL No. OF CONTACTS \_\_\_\_\_

04 - 50  
EVEN NUMBERS ONLY

RA	2	15.06.21	30584
NAME	ISS.	DATE	CN/CO
APPROVED: R.ALEXANDER			
CHECKED: M.RUDKIN			
DRAWN: R.ALEXANDER			
CUSTOMER REF.:			
ASSEMBLY DRG:			

SPECIFICATIONS:  
MATERIAL = ALUMINIUM ALLOY  
FINISH = ELECTROLESS NICKEL  
ENVIRONMENTAL:  
TEMPERATURE RANGE = -55°C TO +125°C

**HARWIN**

www.harwin.com  
technical@harwin.com

THIS DRAWING AND ANY INFORMATION OR DESCRIPTIVE MATTER SET OUT HEREON ARE CONFIDENTIAL AND COPYRIGHT PROPERTY OF THE HARWIN GROUP AND MUST NOT BE DISCLOSED, LOANED, COPIED OR USED FOR MANUFACTURING, TENDERING OR FOR ANY OTHER PURPOSE WITHOUT THEIR WRITTEN PERMISSION.

TOLERANCES  
X. = ±1mm  
X.X = ±0.50mm  
X.XX = ±0.20mm  
X.XXX = ±0.01mm  
ANGLES = ±5°  
UNLESS STATED

MATERIAL:  
SEE ABOVE

FINISH: SEE ABOVE

S/AREA: mm<sup>2</sup>

TITLE:  
DATAMATE J-TEK MALE HORIZONTAL  
SMT BOARD MOUNT BACKSHELL

DRAWING NUMBER:  
**M80-904XX02**

SHT 5 OF 5