



mikromedia™

for dsPIC33®

Compact development system rich with on-board peripherals for all-round multimedia development on **dsPIC33FJ256GP710A** device.



TO OUR VALUED CUSTOMERS

I want to express my thanks to you for being interested in our products and for having confidence in MikroElektronika.

The primary aim of our company is to design and produce high quality electronic products and to constantly improve the performance thereof in order to better suit your needs.

A white handwritten signature in cursive script, appearing to read 'N. Matic', is positioned on the right side of the page.

Nebojsa Matic
General Manager

Table of Contents

Introduction to mikromedia for dsPIC33®	4	Programming with mikroProg™ programmer	18
Package contains	5	mikroProg Suite™ for PIC Software	19
Key features	6	Programming with ICD2 or ICD3 programmer	20
System specification	7	4. Reset buttons	22
1. Power supply	8	5. Crystal oscillator	24
USB power supply	8	6. microSD card slot	26
Battery power supply	8	7. Touch screen	28
2. dsPIC33FJ256GP710A microcontroller	10	8. Audio module	30
Key microcontroller features	10	9. USB-UART connection	32
3. Programming the microcontroller	11	10. Accelerometer	34
Programming with mikroBootloader	12	11. Flash memory	36
step 1 - Choosing COM port	13	12. Pads	38
step 2 - Choosing device family	14	13. Pinout	39
step 3 - Choosing device	14	14. Dimensions	40
step 4 - Browse for .HEX file	15	15. mikromedia accessories	41
step 5 - Set Baud rate	16	What's next?	42
step 6 - Uploading .HEX file	16		

Introduction to mikromedia for dsPIC33[®]

mikromedia for dsPIC33[®] is a compact development system with lots of on-board peripherals which allow development of devices with multimedia contents. The central part of the system is a 16-bit **dsPIC33FJ256GP710A** microcontroller. mikromedia for dsPIC33 features integrated modules such as stereo MP3 codec, **TFT 320x240 touch screen** display, accelerometer, USB connector, audio connector, MMC/SD card slot, 8 Mbit flash memory, 2x26 connection pads and other. It comes pre-programmed with UART bootloader, but can also be programmed with external programmers, such as mikroProg[™] or ICD2/3. Mikromedia is compact and slim, and perfectly fits in the palm of the hand, which makes it a convenient platform for mobile devices.



Package contains



01 Damage resistant protective box



02 mikromedia for dsPIC33® development system



03 User's guide, schematic and pinout

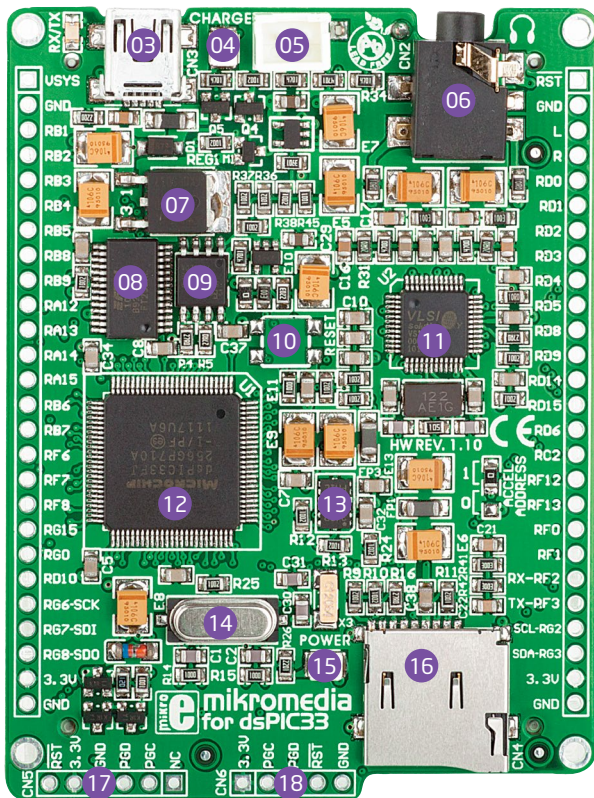


04 USB cable, two 1x26, one 1x6 and one 1x5 male headers

Key features

- 01 Connection pads
- 02 TFT 320x240 display
- 03 USB MINI-B connector
- 04 CHARGE indication LED
- 05 LI-Polymer battery connector
- 06 3.5mm headphone connector
- 07 Power supply regulator
- 08 FTDI chip
- 09 Serial flash memory
- 10 RESET button
- 11 VS1053 Stereo mp3 coder/decoder
- 12 dsPIC33FJ256GP710A microcontroller
- 13 Accelerometer
- 14 Crystal oscillator
- 15 Power indication LED
- 16 microSD card slot
- 17 ICD2/3 connector
- 18 mikroProg connector





System specification



power supply

Via USB cable (5V DC)



power consumption

77 mA with erased MCU (when on-board modules are inactive)



board dimensions

81.2 x 60.5 mm (3.19 x 2.38 inch)



weight

~50g (0.11lbs)



class B product

Product complies with the Class B limit of EN 55022 and can be used in the domestic, residential, commercial and industrial environments.



CAUTION: Electrostatic sensitive device

Permanent damage may occur on devices subjected to high energy electrostatic discharges which readily accumulate on the human body or test equipment and can discharge without detection.

1. Power supply

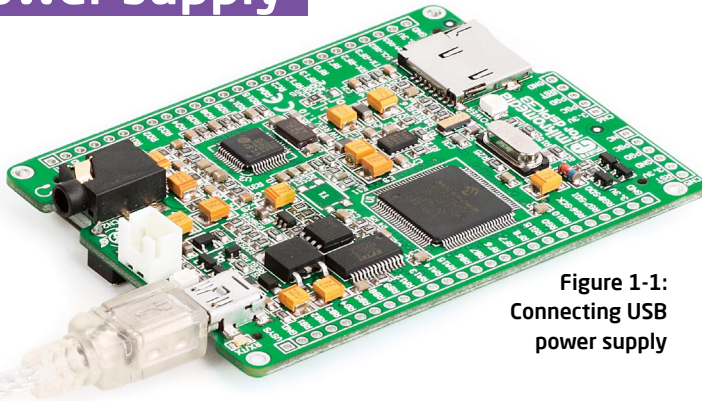


Figure 1-1:
Connecting USB
power supply

USB power supply

You can apply power supply to the board using **MINI-B USB** cable provided in the package. On-board voltage regulators provide the appropriate voltage levels to each component of the board. **Power LED (GREEN)** will indicate the presence of power supply.

Battery power supply

You can also power the board using a Li-Polymer battery, via on-board battery connector. On-board battery charger circuit MCP73832 enables you to charge the battery over a USB connection. LED diode (RED) will indicate when the battery is charging. Charging current is $\sim 250\text{mA}$ and charging voltage is 4.2V DC.

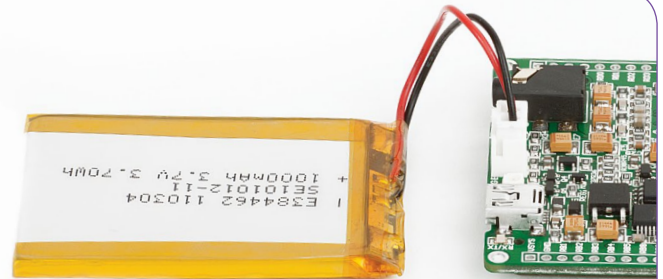


Figure 1-2: Connecting Li-Polymer battery

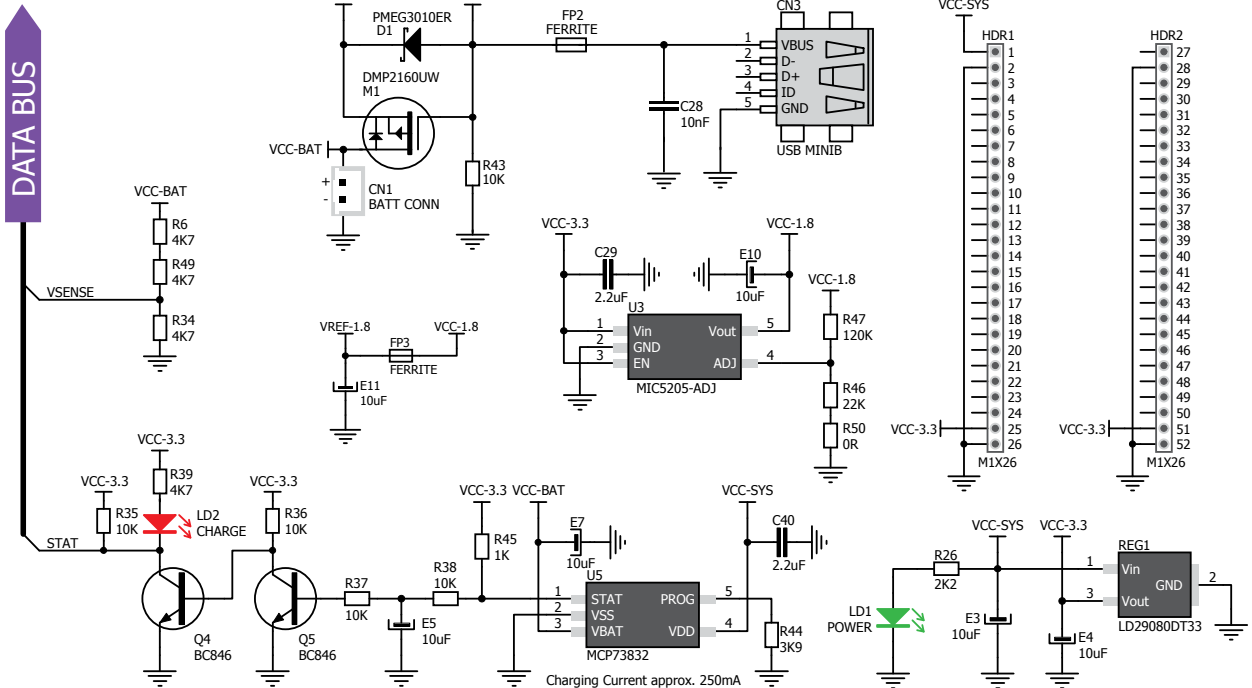


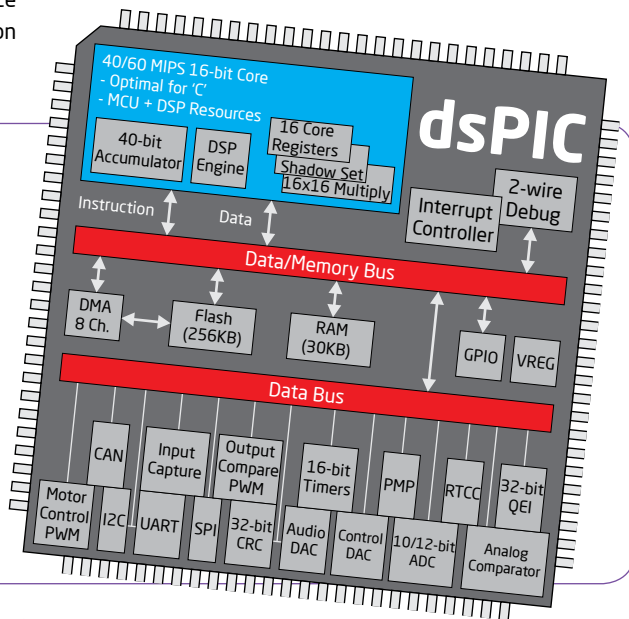
Figure 1-3: Power supply schematics

2. dsPIC33FJ256GP710A microcontroller

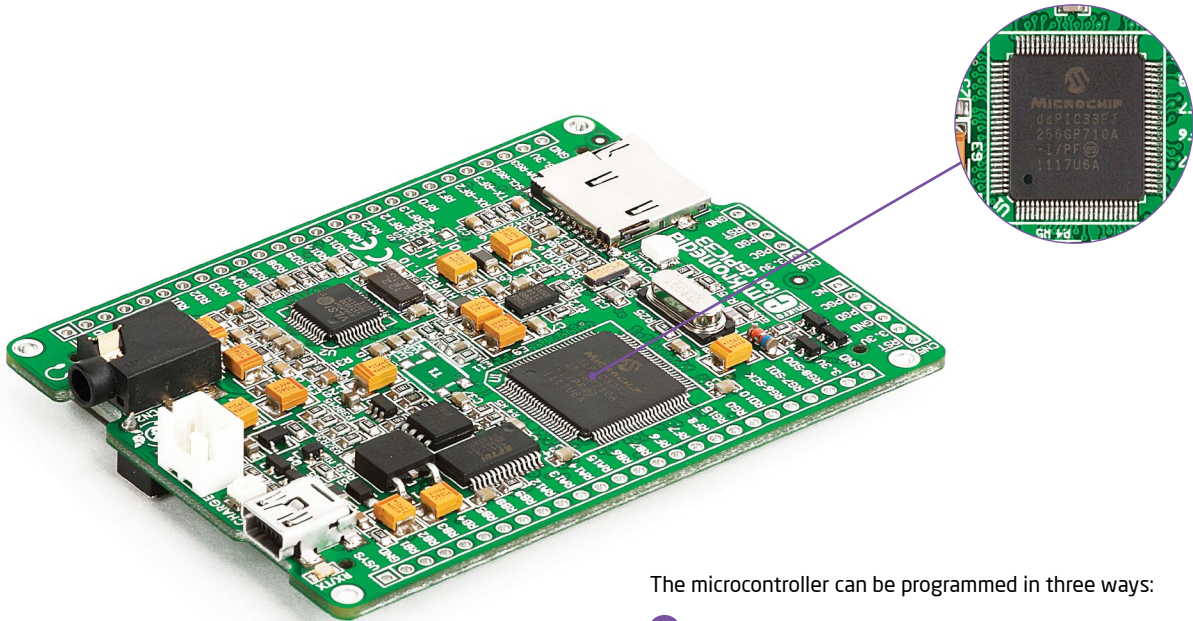
mikromedia for dsPIC33® development system comes with the dsPIC33FJ256GP710A microcontroller. This high-performance 16-bit microcontroller with its integrated modules and in combination with other on-board modules is ideal for multimedia applications.

Key microcontroller features

- Up to **40 MIPS** Operation;
- 16-bit architecture;
- 256KB of program memory;
- 30.720 Bytes of RAM;
- 85 I/O pins;
- Internal Oscillator 7.37 MHz, 512kHz;
- nanoWatt features: Fast Wake/Fast Control;
- 2-UART, 2-SPI, 2-I2C, 2-CAN;
- DAC, ADC, etc.



3. Programming the microcontroller



The microcontroller can be programmed in three ways:

- 01 Over UART bootloader
- 02 Using mikroProg™ external programmer
- 03 Using ICD2/3 external programmer

Programming with mikroBloader

You can program the microcontroller with the bootloader which is preprogrammed into the device by default. To transfer .HEX file from a PC to MCU you need bootloader software (**ds30 Loader**) which can be downloaded from:



www.mikroe.com/eng/downloads/get/1493/mikrommb_dsPIC33_bootloader.zip

Upon download, unzip the file to the desired location and start ds30 Loader software.

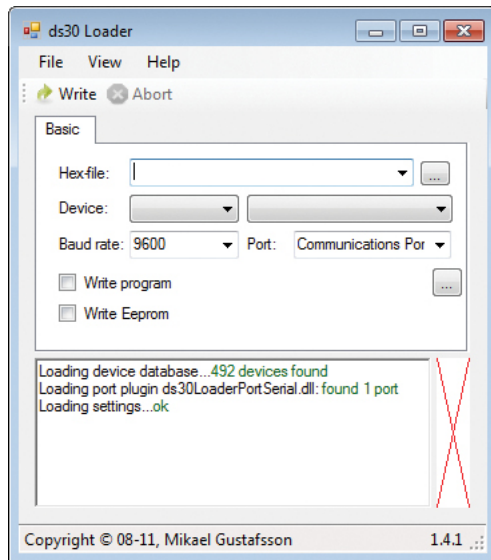
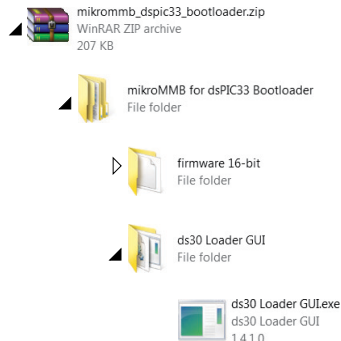


Figure 3-1: ds30 Loader open-source software

note

Connect mikromedia for dsPIC33® with a PC before starting ds30 Loader software

Identifying device COM port

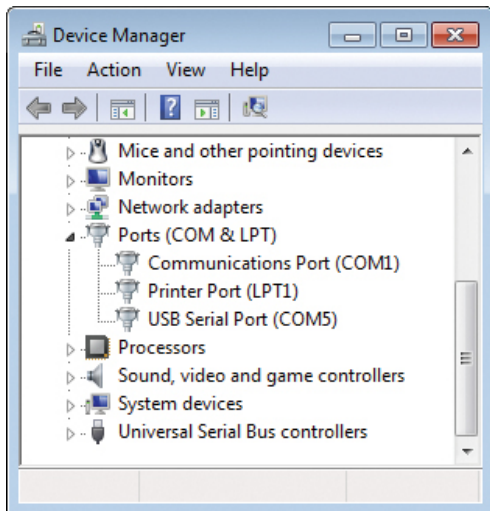


Figure 3-2: Identifying COM port

note

In Device Manager you can see which COM port is assigned to mikromedia (in this case COM5)

step 1 - Choosing COM port

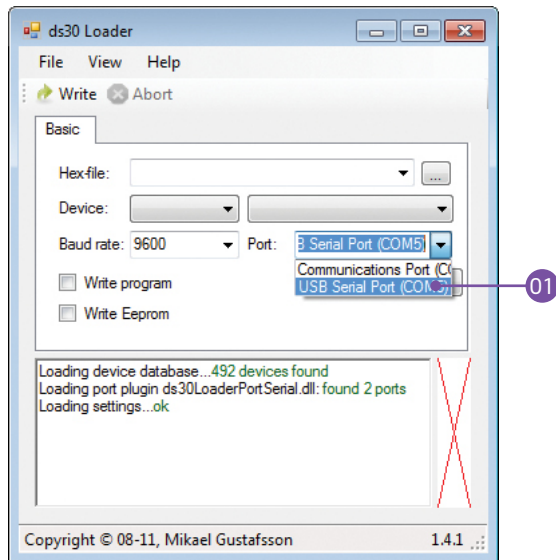


Figure 3-3: Selecting COM port

- 01 From drop down list select USB COM port which is used for communication with a PC (in this case COM5)

step 2 - Choosing device family

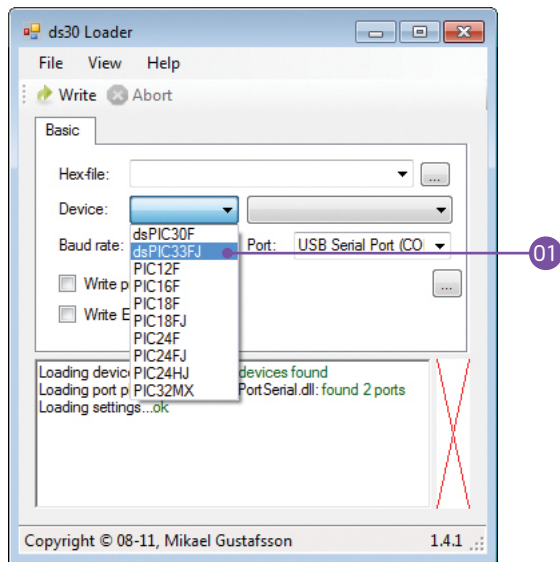


Figure 3-4: Selecting MCU family

01 From drop down list select MCU family (dsPIC33FJ)

step 3 - Choosing device

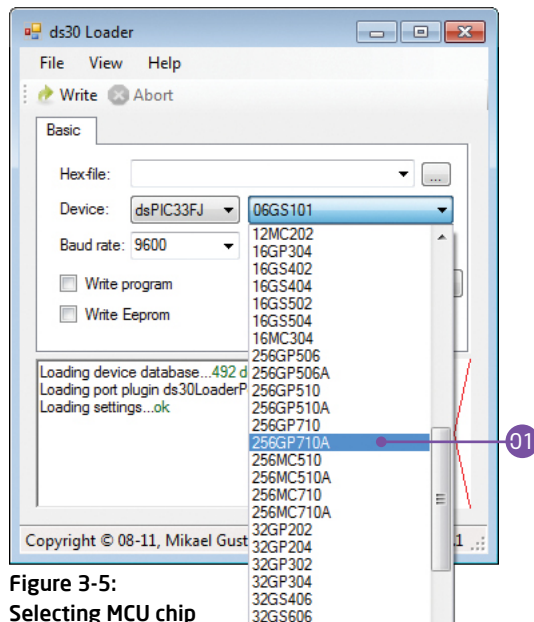


Figure 3-5:
Selecting MCU chip

01 From drop down list select MCU chip (256GP710A)

step 4 - Browse for .HEX file

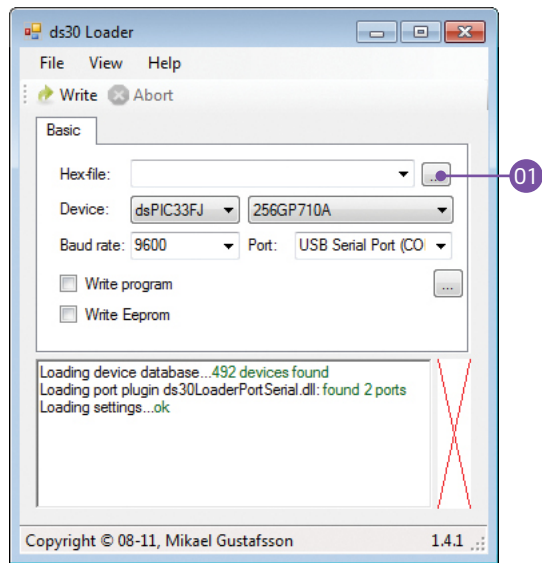


Figure 3-6: Browse for .HEX file

- 01 Click on **Browse** button and from pop-up window (figure 3-7) select .HEX file which will be uploaded to MCU memory

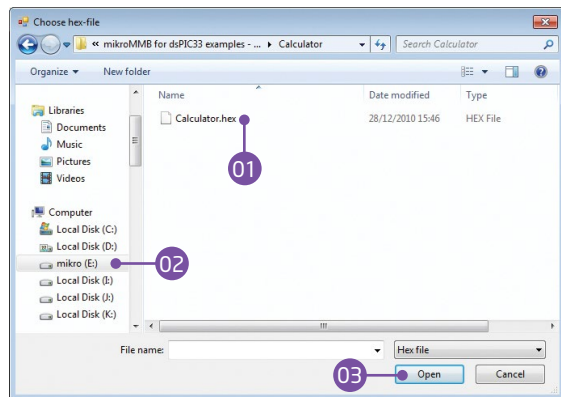


Figure 3-7: Pop-up window for .HEX file choosing

- 01 Select desired .HEX file
- 02 Folder list
- 03 Click on Open button

step 5 - Set Baud rate

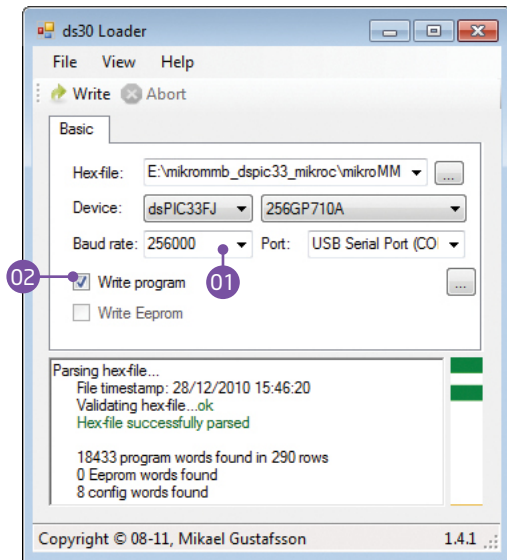


Figure 3-8: Setting baud rate

- 01 From drop down list set baud rate value to 256000
- 02 Check **Write program** check box

step 6 - Uploading .HEX file

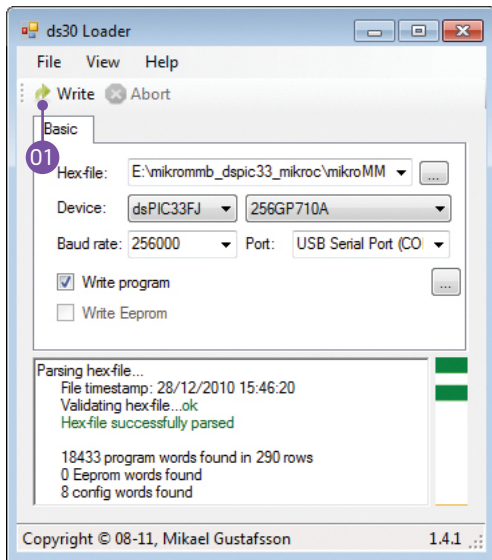


Figure 3-9: Write program

- 01 First RESET mikromedia and then, within 5s click on **Write button**

note

If you accidentally erase bootloader program from MCU memory it is possible to load it again with external programmer. mikromedia for dsPIC33® bootloader firmware.hex file is located in Firmware subfolder, Page 12.

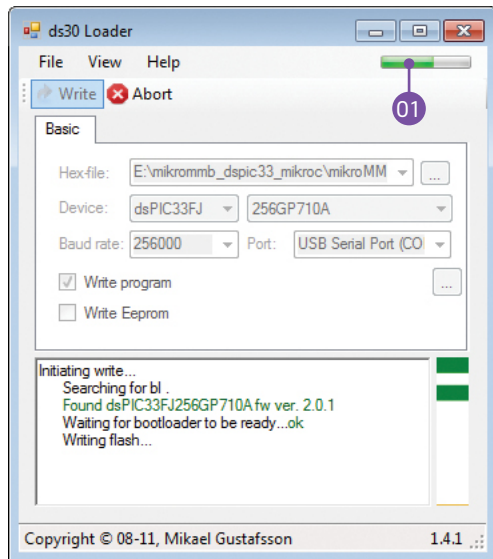


Figure 3-10: Program uploading

01 Progress bar indicates .HEX file upload process

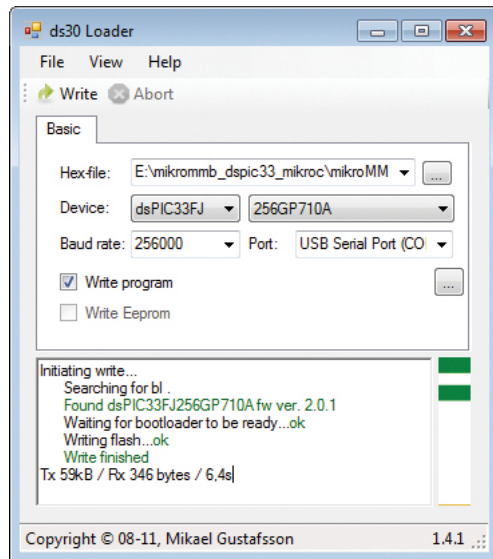


Figure 3-11: Uploading is finished

01 After uploading is finished you will get a notice in ds30 Loader history window

Programming with mikroProg™ programmer

The microcontroller can be programmed with **mikroProg™ programmer** and **mikroProg Suite™ fo PIC®** software. The mikroProg™ programmer is connected to the development system via the CN6 connector, Figure 3-12.

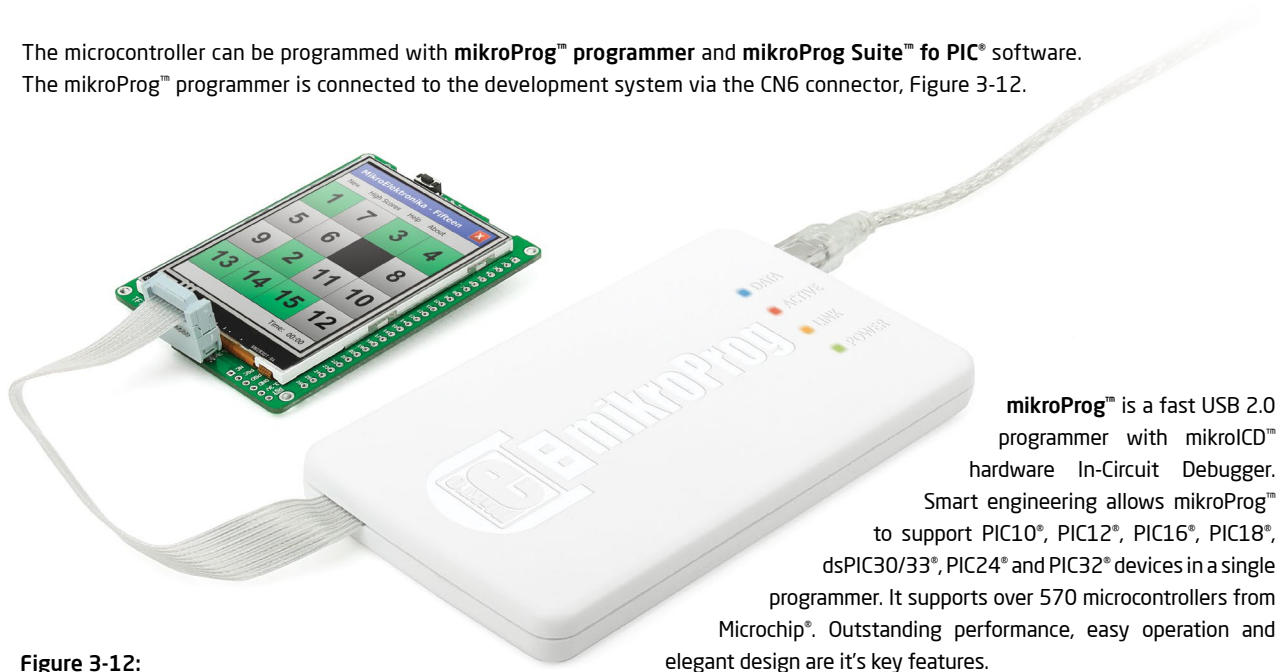


Figure 3-12:
Connecting mikroProg™ to mikromedia™

mikroProg™ is a fast USB 2.0 programmer with mikroICD™ hardware In-Circuit Debugger. Smart engineering allows mikroProg™ to support PIC10®, PIC12®, PIC16®, PIC18®, dsPIC30/33®, PIC24® and PIC32® devices in a single programmer. It supports over 570 microcontrollers from Microchip®. Outstanding performance, easy operation and elegant design are it's key features.

mikroProg Suite™ for PIC® software



mikroProg™ programmer requires special programming software called **mikroProg Suite™ for PIC®**. This software is used for programming all Microchip® microcontroller families, including PIC10®, PIC12®, PIC16®, PIC18®, dsPIC30/33®, PIC24® and PIC32®. Software has intuitive interface and SingleClick™ programming technology. Just by downloading the latest version of **mikroProg Suite™** your programmer is ready to program new devices. **mikroProg Suite™** is updated regularly, at least four times a year, so your programmer will be more and more powerful with each new release.

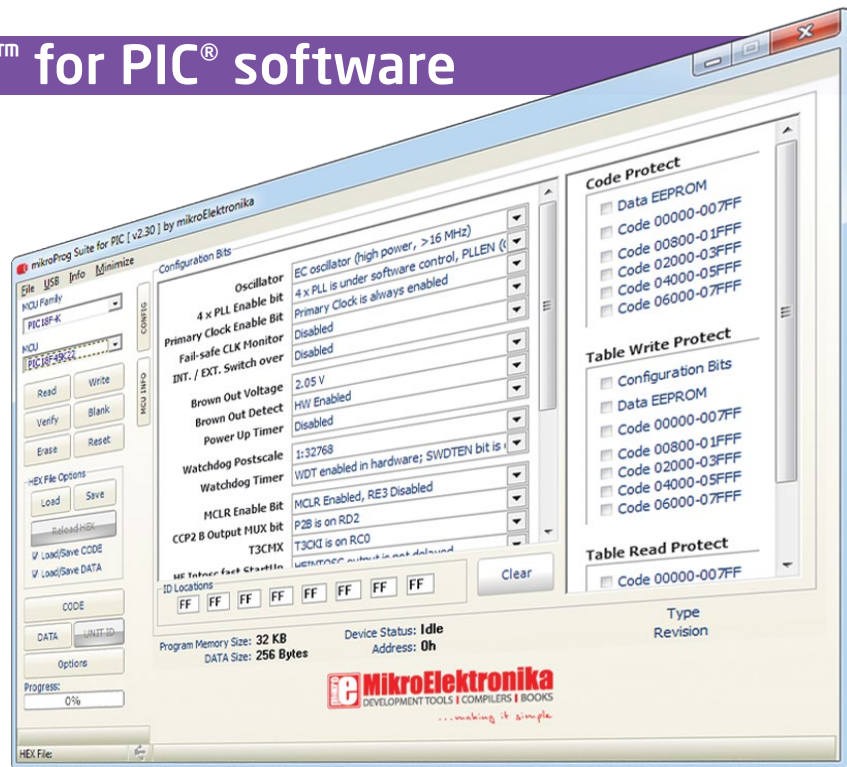


Figure 3-13: Main Window of mikroProg Suite™ for PIC® programming software

Programming with ICD2® or ICD3® programmer

The microcontroller can be also programmed with **ICD2®** or **ICD3®** programmer. These programmers connects with mikromedia board via **ICD2 CONNECTOR BOARD**.

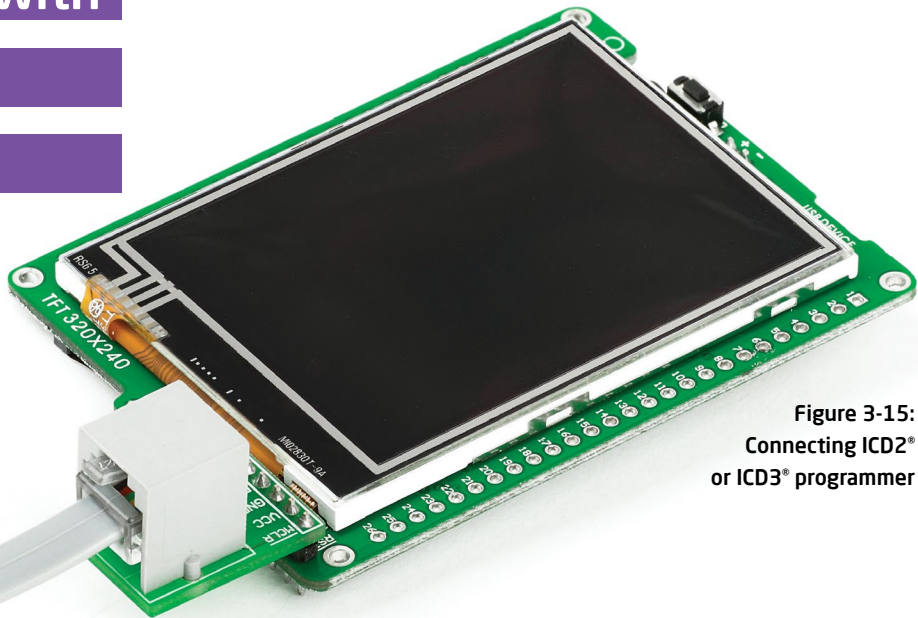


Figure 3-15:
Connecting ICD2®
or ICD3® programmer

In order to enable the ICD2® and ICD3® programmers to be connected to the development system, it is necessary to provide an appropriate connector such as the **ICD2 CONNECTOR BOARD**. This connector should be first soldered on the CNS5 connector. Then you should plug the ICD2® or ICD3® programmer into it, Figure 3-14.

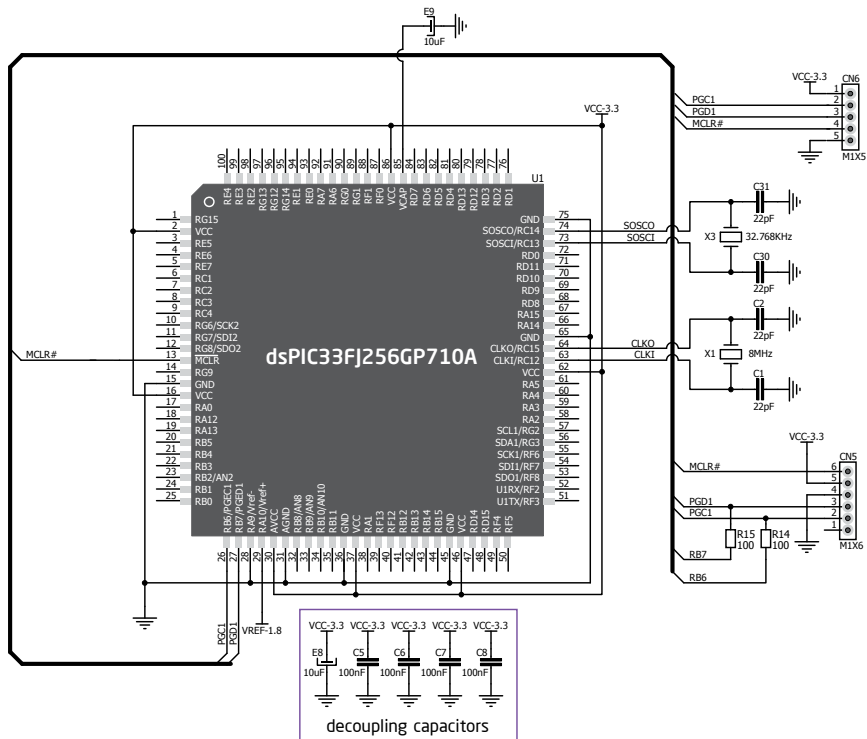


Figure 3-16: ICD2 / ICD3 & mikroProg™ programmer connection schematics

4. Reset buttons

Board is equipped with a reset button, which is located at the top of the front side (**Figure 4-2**). If you want to reset the circuit, press the reset button. It will generate a low voltage level on the microcontroller reset pin (input). In addition, a reset can be externally provided through **pin 27** on side headers (**Figure 4-3**).

note You can also solder an additional reset button on the appropriate place at the back side of the board, **Figure 4-1**.

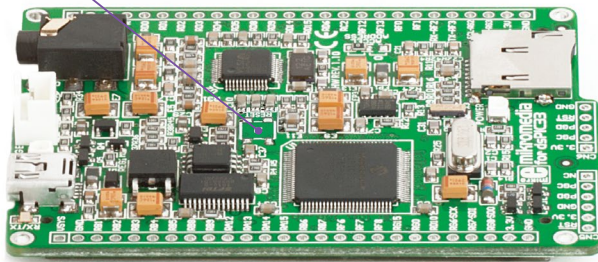
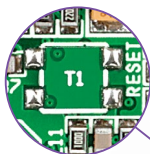


Figure 4-1: Reset button located at the backside of the board

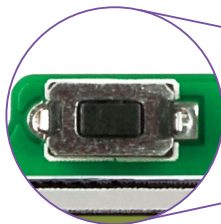


Figure 4-2: Frontal reset button

5. Crystal oscillator

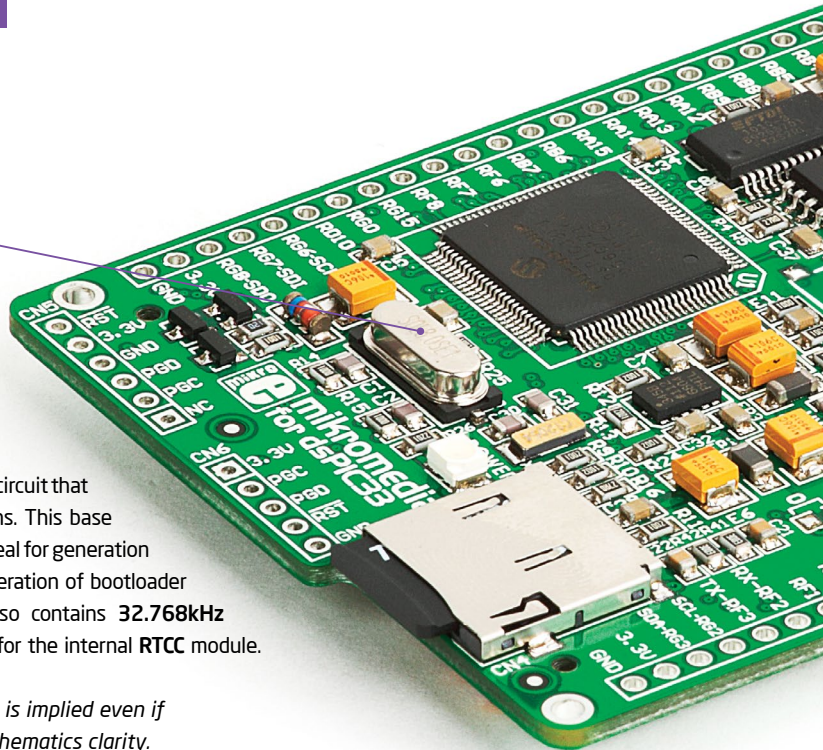


Figure 5-1:
Crystal oscillator
module (X1)

Board is equipped with an **8MHz crystal oscillator (X1)** circuit that provides external clock to the microcontroller OSC pins. This base frequency is suitable for further clock multipliers and ideal for generation of the necessary USB clock, which ensures proper operation of bootloader and your custom USB-based applications. Board also contains **32.768kHz Crystal oscillator (X3)** which provides external clock for the internal RTCC module.

note

The use of crystal in all other schematics is implied even if it is purposely left out, because of the schematics clarity.



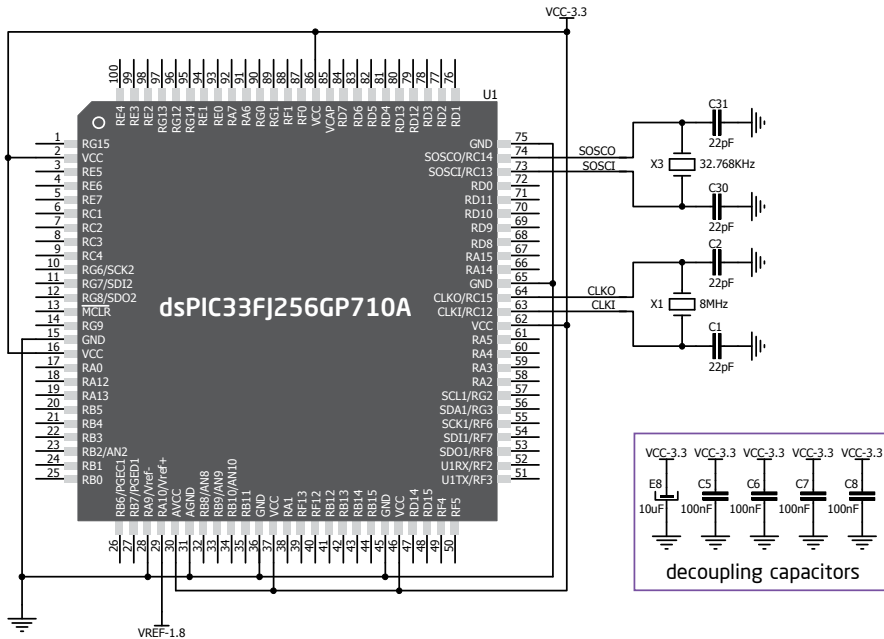


Figure 5-2: Crystal oscillator schematics

6. microSD card slot

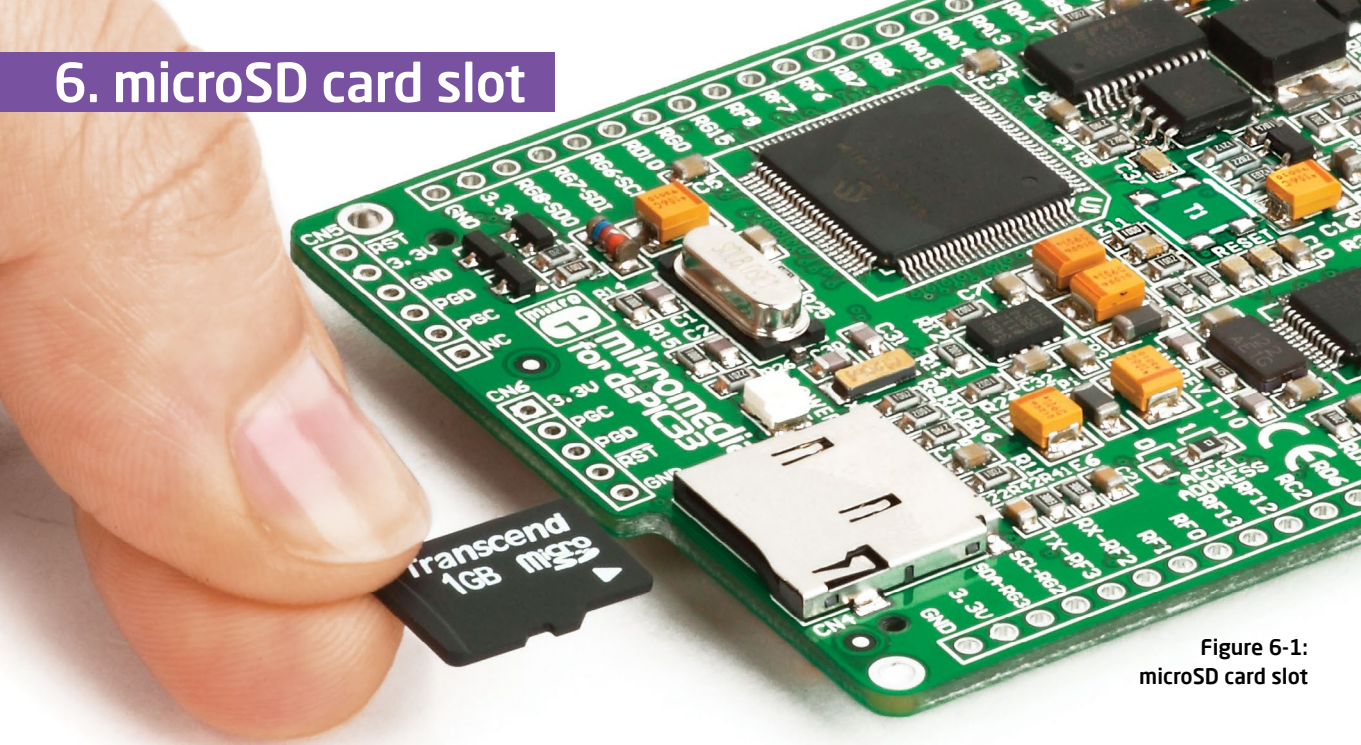


Figure 6-1:
microSD card slot

Board contains a **microSD card slot** for using microSD cards in your projects. It enables you to store large amounts of data externally, thus saving microcontroller memory. microSD cards use Serial Peripheral Interface (**SPI**) for communication with the microcontroller.

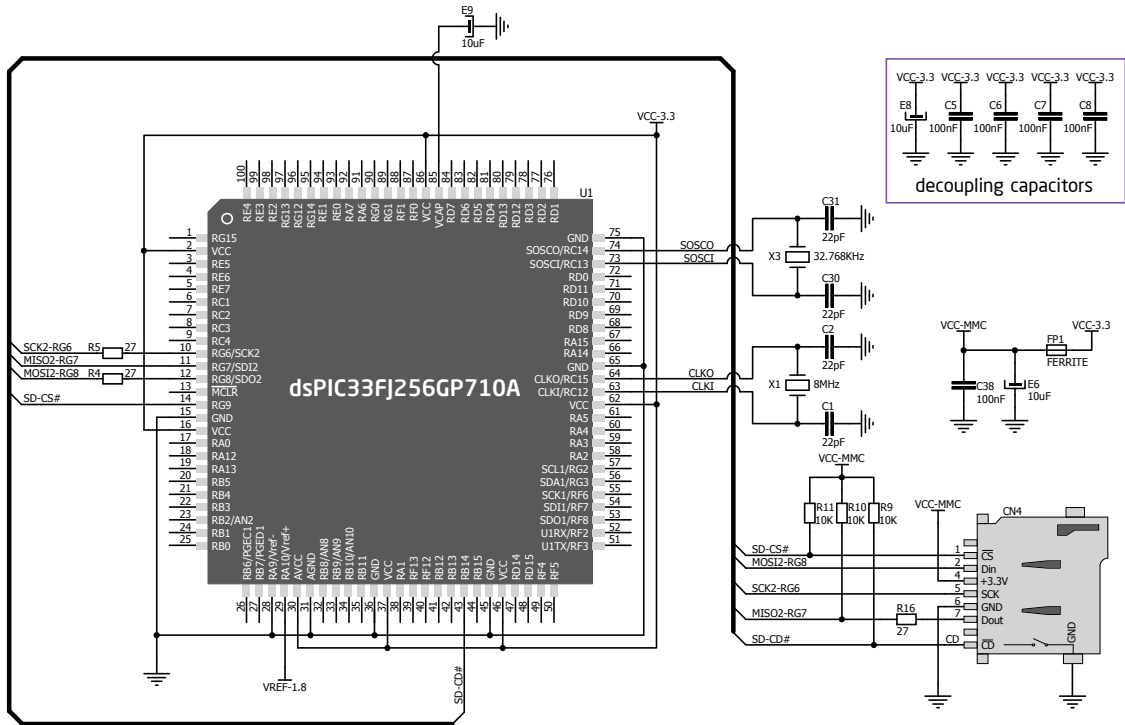


Figure 6-2: microSD Card Slot module connection schematics

7. Touch screen

The development system features a **TFT 320x240 display** covered with a **resistive** touch panel. Together they form a functional unit called a **touch screen**. It enables data to be entered and displayed at the same time. The TFT display is capable of showing data in **262.144** different **colors**.



Figure 7-1:
Touch Screen

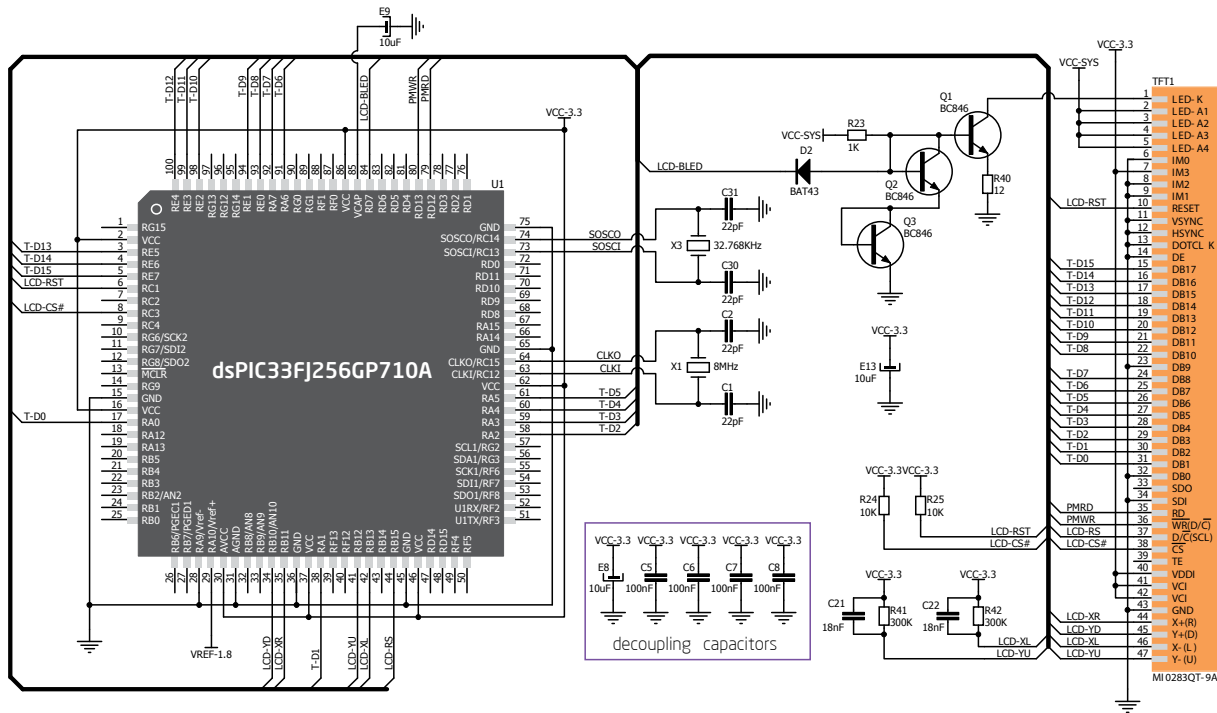


Figure 7-2: Touch Screen connection schematics

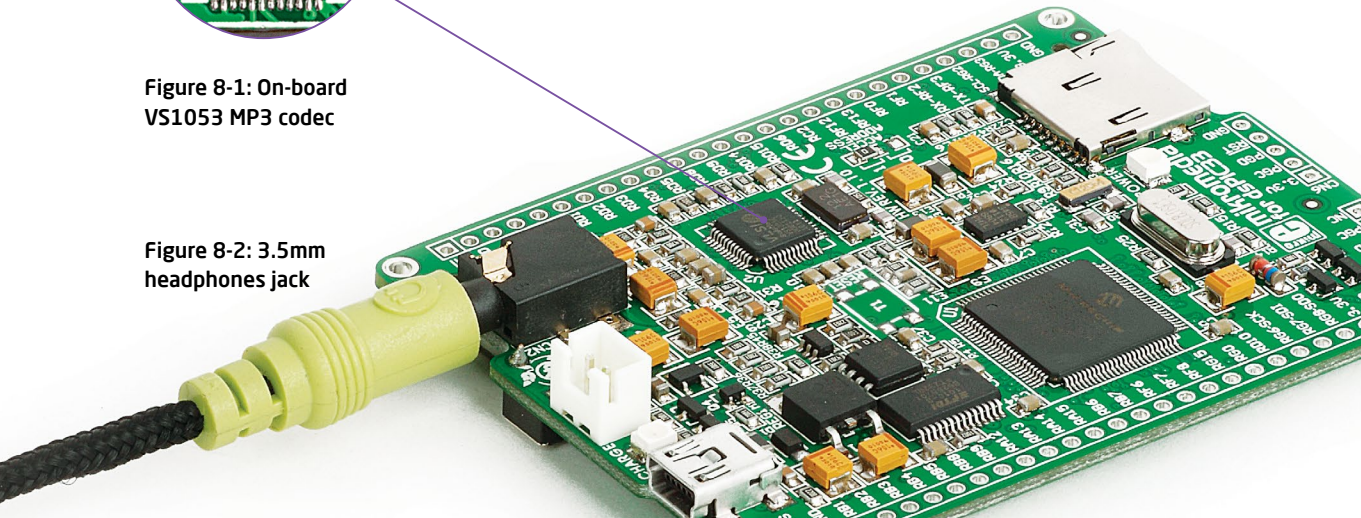
8. Audio module



Figure 8-1: On-board VS1053 MP3 codec

Figure 8-2: 3.5mm headphones jack

mikromedia for dsPIC33 features a stereo audio codec **VS1053**. This module enables audio reproduction by using stereo headphones connected to the system via a **3.5mm** connector CN2. All functions of this module are controlled by the microcontroller over Serial Peripheral Interface (**SPI**).



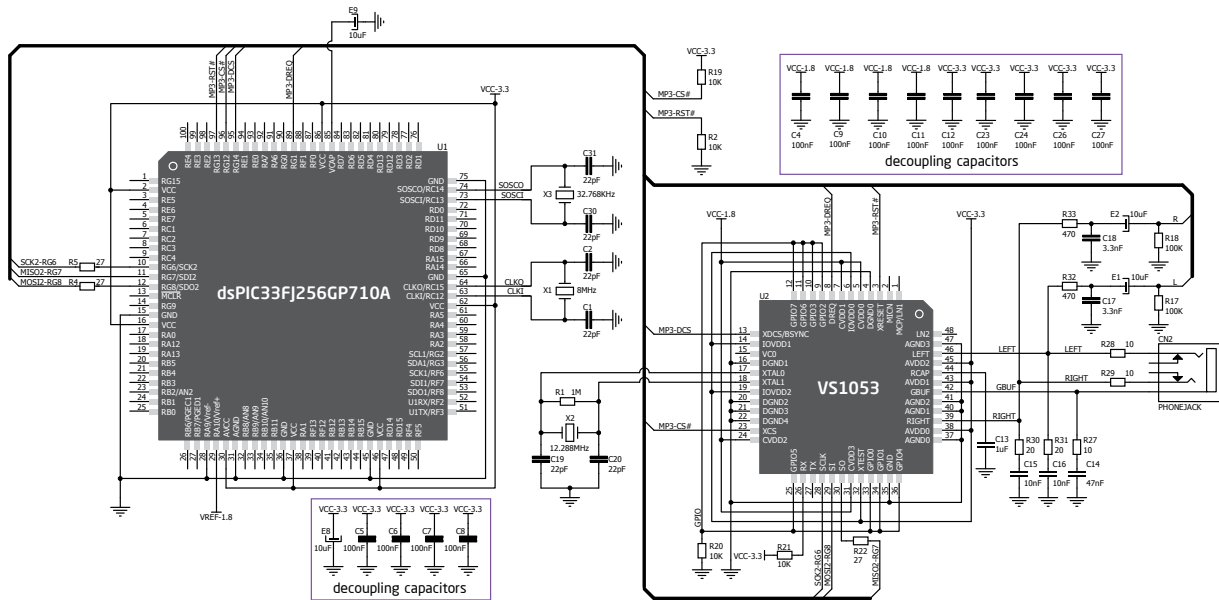


Figure 8-3: Audio module connection schematic

9. USB-UART connection

Mikromedia contains a USB MINI-B connector which is positioned next to the battery connector. FT232RL USB-UART IC enables you to implement UART serial communication functionality via USB cable, since **dsPIC33FJ256GP710A** does not support USB protocol.

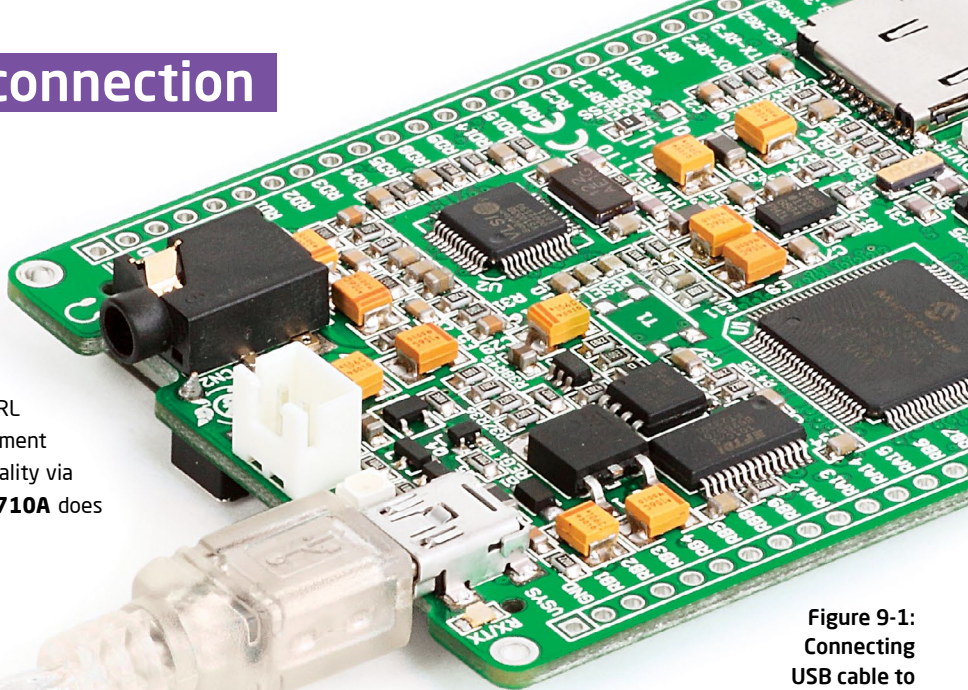


Figure 9-1:
Connecting
USB cable to
programming
connector

note

Before connecting the board, make sure that you have FTDI drivers installed on your computer. Tx/Rx LED flashes when USB and controller communicate.

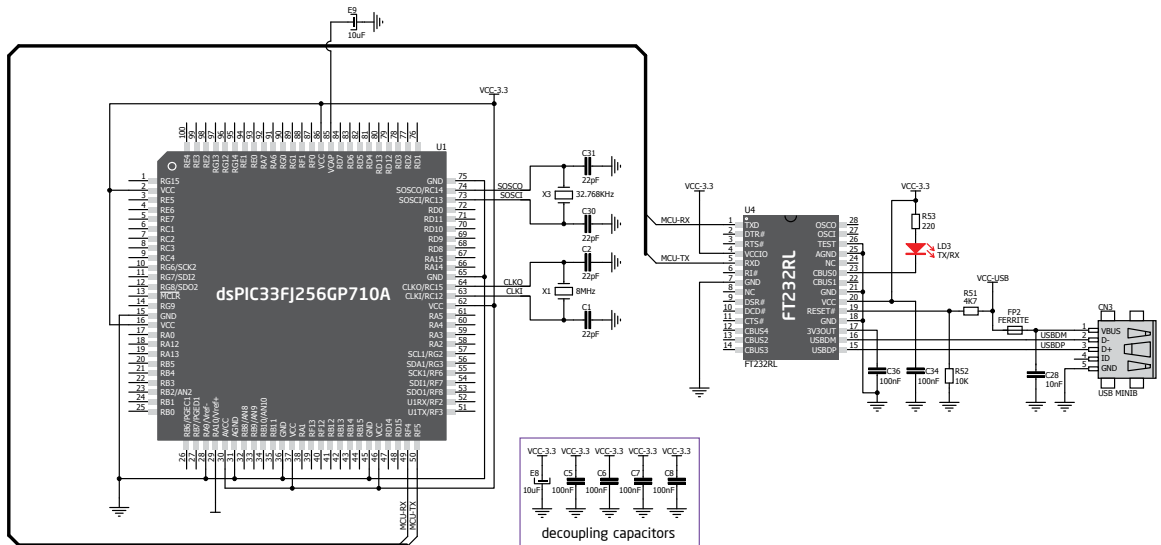


Figure 9-2: USB module connection schematics

10. Accelerometer

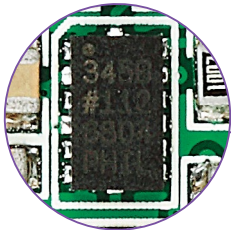
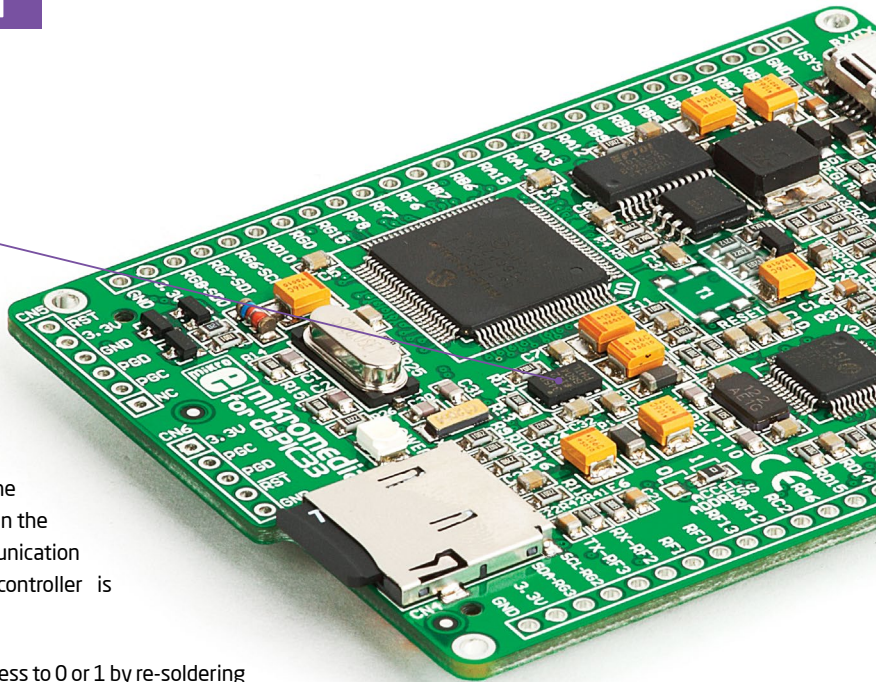


Figure 10-1:
Accelerometer
module



On board **ADXL345** accelerometer is used to measure acceleration in three axes: x, y and z. The accelerometer's function is defined by the user in the program loaded into the microcontroller. Communication between the accelerometer and the microcontroller is performed via the **I²C** interface.



You can set the accelerometer address to 0 or 1 by re-soldering the SMD jumper (zero-ohm resistor) to the appropriate position. Jumper is placed in address 1 position by default.

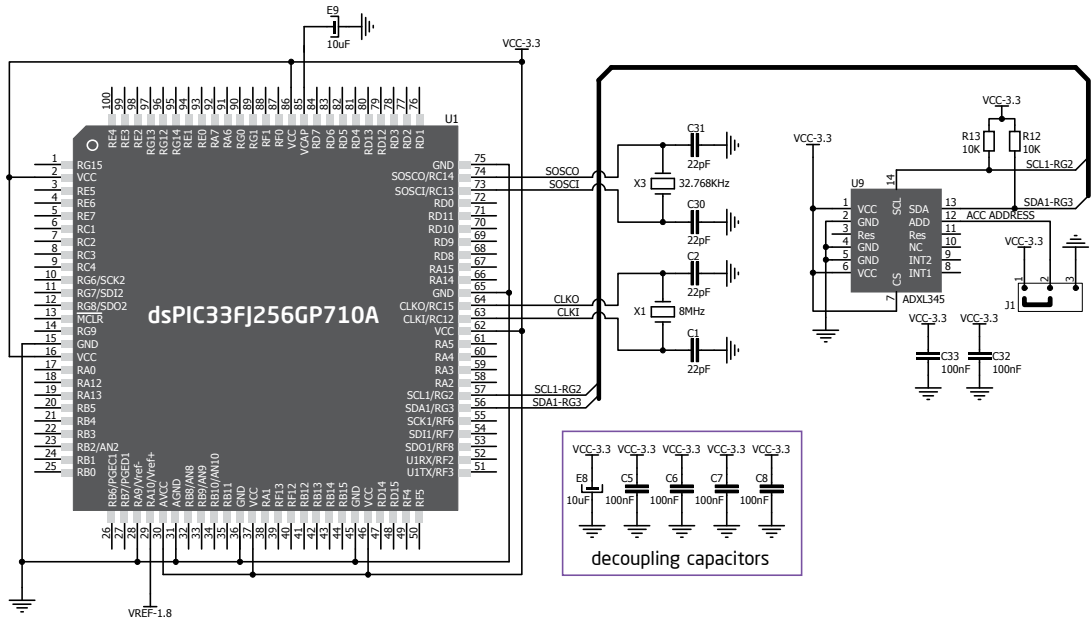
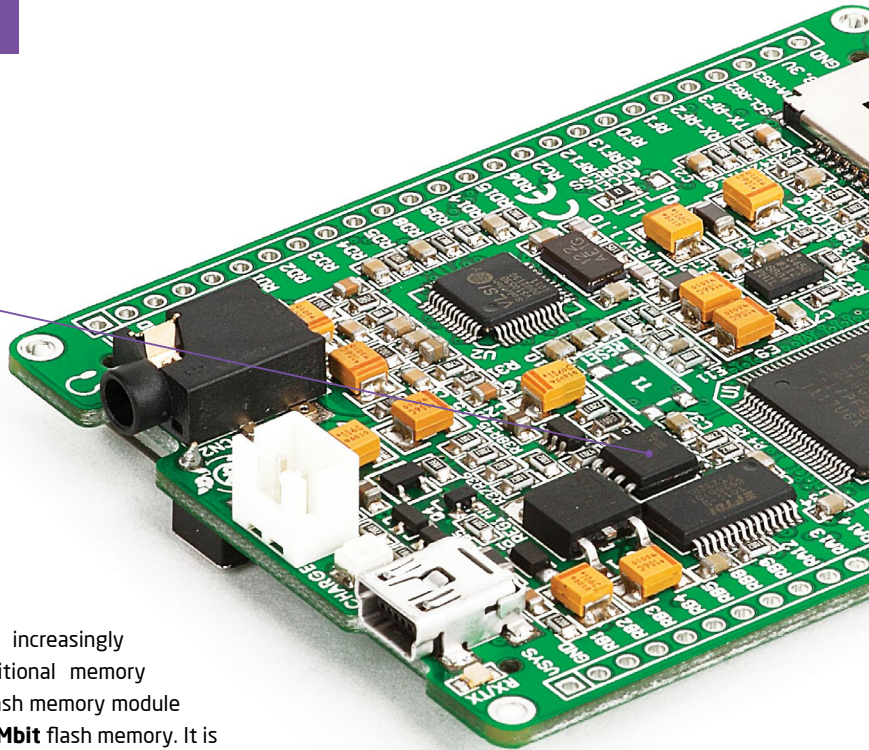


Figure 10-2: Accelerometer connection schematic

11. Flash memory



Figure 11-1:
Flash memory module



Since multimedia applications are getting increasingly demanding, it is necessary to provide additional memory space to be used for storing more data. The flash memory module enables the microcontroller to use additional **8Mbit** flash memory. It is connected to the microcontroller via the Serial Peripheral Interface (**SPI**).

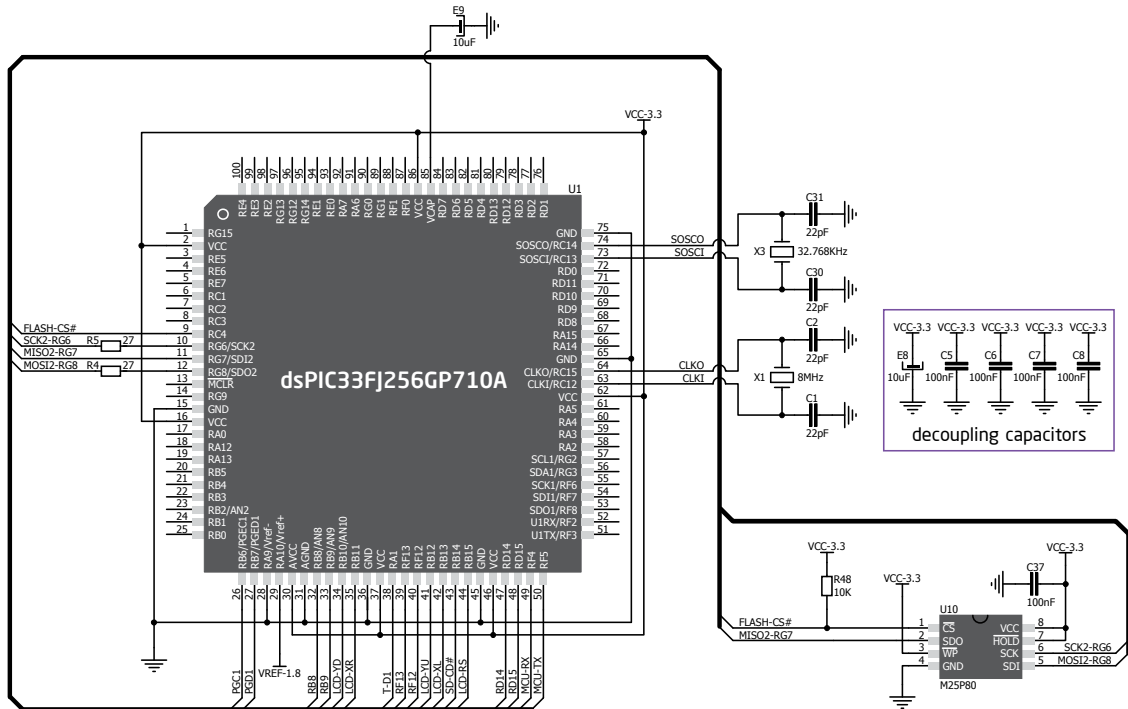
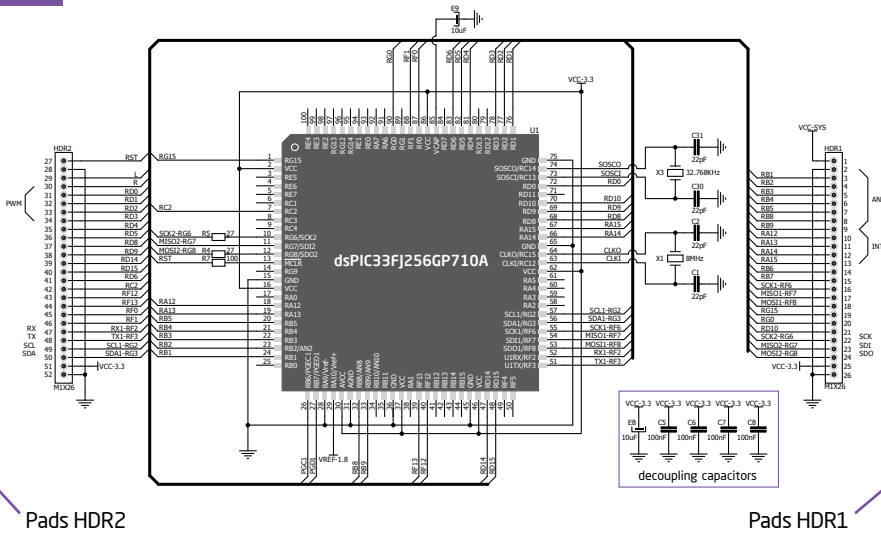
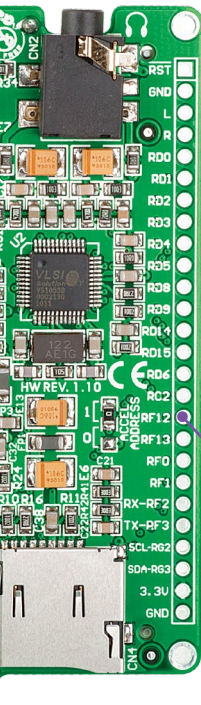


Figure 11-2: Flash memory module connection schematic

12. Pads

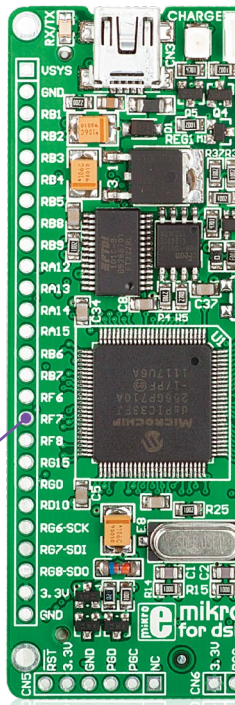


Pads HDR2

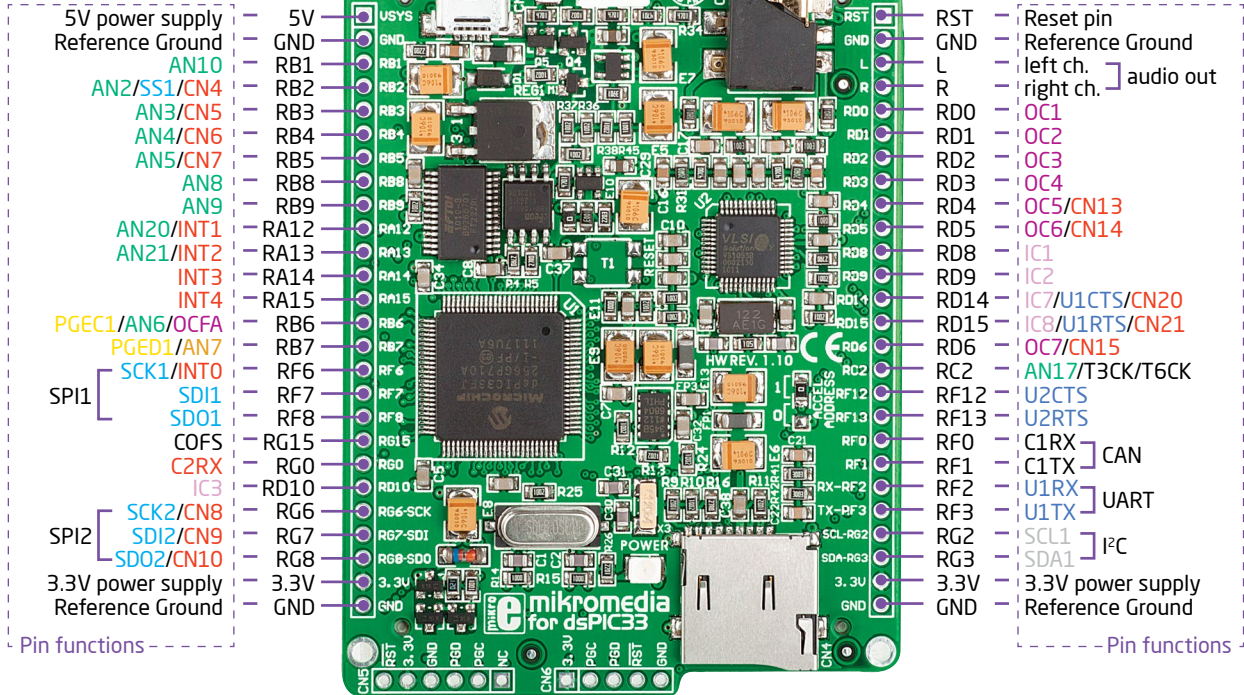
Pads HDR1

Figure 12-1: Pads connecting schematic

Most microcontroller pins are available for further connectivity via two 1x26 rows of connection pads on both sides of the mikromedia board. They are designed to match additional shields, such as Battery Boost shield, Gaming, PROTO shield and others.



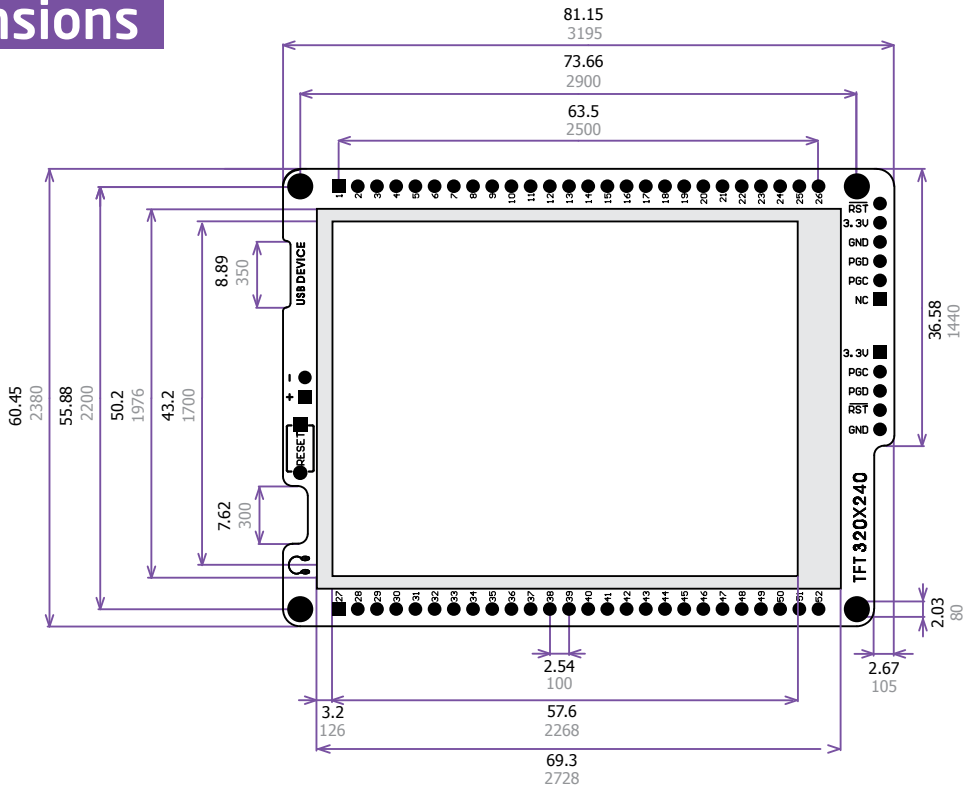
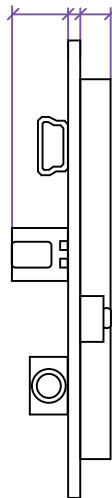
13. Pinout



■ Programming lines
 ■ Analog Lines
 ■ Interrupt Lines
 ■ SPI Lines
 ■ I2C Lines
 ■ UART lines
 ■ PWM lines
 ■ Comparator lines

14. Dimensions

7 1.6 4
276 63 157

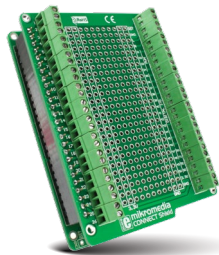


Legend

■ mm
■ mils

15. mikromedia accessories

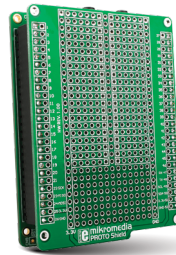
We have prepared a set of extension boards pin-compatible with your mikromedia, which enable you to easily expand your board's basic functionality. We call them mikromedia shields. But we also offer other accessories, such as Li-polymer battery, stacking headers, wire jumpers and more.



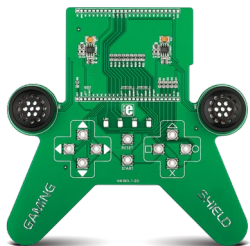
01 Connect shield



02 BatteryBoost shield



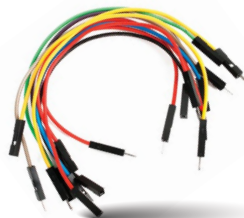
03 PROTO shield



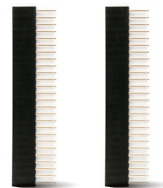
04 Gaming shield



05 Li-Polimer battery



06 Wire Jumpers



07 Stacking headers

What's next?

You have now completed the journey through each and every feature of mikromedia for dsPIC33® board. You got to know its modules and organization. Now you are ready to start using your new board. We are suggesting several steps which are probably the best way to begin. Find useful projects and tutorials on the Libstock website (www.libstock.com). Join our Forum (www.mikroe.com/forum) and get help from a large ecosystem of users.

Compiler

You still don't have an appropriate compiler? Locate dsPIC® compiler that suits you best on our site:



<http://www.mikroe.com/dspic/compilers/>

Choose between mikroC™, mikroBasic™ and mikroPascal™ and download fully functional demo version, so you can begin building your first applications.



Visual TFT

Once you have chosen your compiler, and since you already got the board, you are ready to start writing your first projects. **Visual TFT software** enables you to quickly create your GUI. It will automatically generate code compatible with MikroElektronika compilers. Visual TFT is rich with examples, which are an excellent starting point for your future projects. Download it from the link below:



<http://www.mikroe.com/visualtft/>

DISCLAIMER

All the products owned by MikroElektronika are protected by copyright law and international copyright treaty. Therefore, this manual is to be treated as any other copyright material. No part of this manual, including product and software described herein, may be reproduced, stored in a retrieval system, translated or transmitted in any form or by any means, without the prior written permission of MikroElektronika. The manual PDF edition can be printed for private or local use, but not for distribution. Any modification of this manual is prohibited.

MikroElektronika provides this manual 'as is' without warranty of any kind, either expressed or implied, including, but not limited to, the implied warranties or conditions of merchantability or fitness for a particular purpose.

MikroElektronika shall assume no responsibility or liability for any errors, omissions and inaccuracies that may appear in this manual. In no event shall MikroElektronika, its directors, officers, employees or distributors be liable for any indirect, specific, incidental or consequential damages (including damages for loss of business profits and business information, business interruption or any other pecuniary loss) arising out of the use of this manual or product, even if MikroElektronika has been advised of the possibility of such damages. MikroElektronika reserves the right to change information contained in this manual at any time without prior notice, if necessary.

HIGH RISK ACTIVITIES

The products of MikroElektronika are not fault - tolerant nor designed, manufactured or intended for use or resale as on - line control equipment in hazardous environments requiring fail - safe performance, such as in the operation of nuclear facilities, aircraft navigation or communication systems, air traffic control, direct life support machines or weapons systems in which the failure of Software could lead directly to death, personal injury or severe physical or environmental damage ('High Risk Activities'). MikroElektronika and its suppliers specifically disclaim any expressed or implied warranty of fitness for High Risk Activities.

TRADEMARKS

The MikroElektronika name and logo, mikroC™, mikroBasic™, mikroPascal™, mikroProg™, Ready™, MINI™, mikroBUS™, EasyPIC™, EasyMX™, click™ boards and mikromedia™ are trademarks of MikroElektronika. All other trademarks mentioned herein are property of their respective companies.

All other product and corporate names appearing in this manual may or may not be registered trademarks or copyrights of their respective companies, and are only used for identification or explanation and to the owners' benefit, with no intent to infringe.



If you want to learn more about our products, please visit our website at www.mikroe.com

If you are experiencing some problems with any of our products or just need additional information, please place your ticket at www.mikroe.com/support

If you have any questions, comments or business proposals,
do not hesitate to contact us at office@mikroe.com

mikromedia for dsPIC33 Manual
ver. 1.10c



0 100000 024614