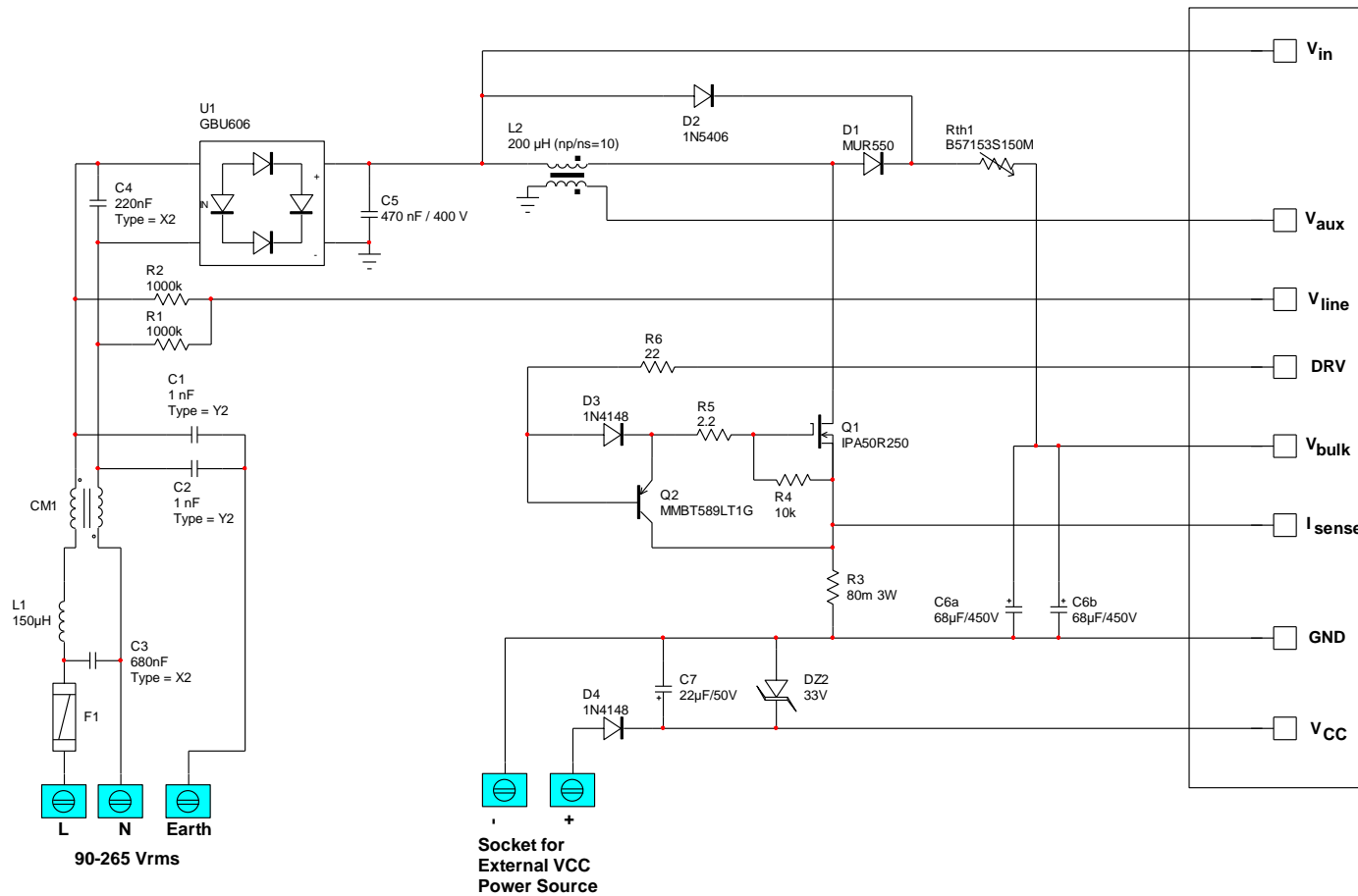


Schematic for the NCP1612GEVB Evaluation Board

- Power Section



▪ Control Section

