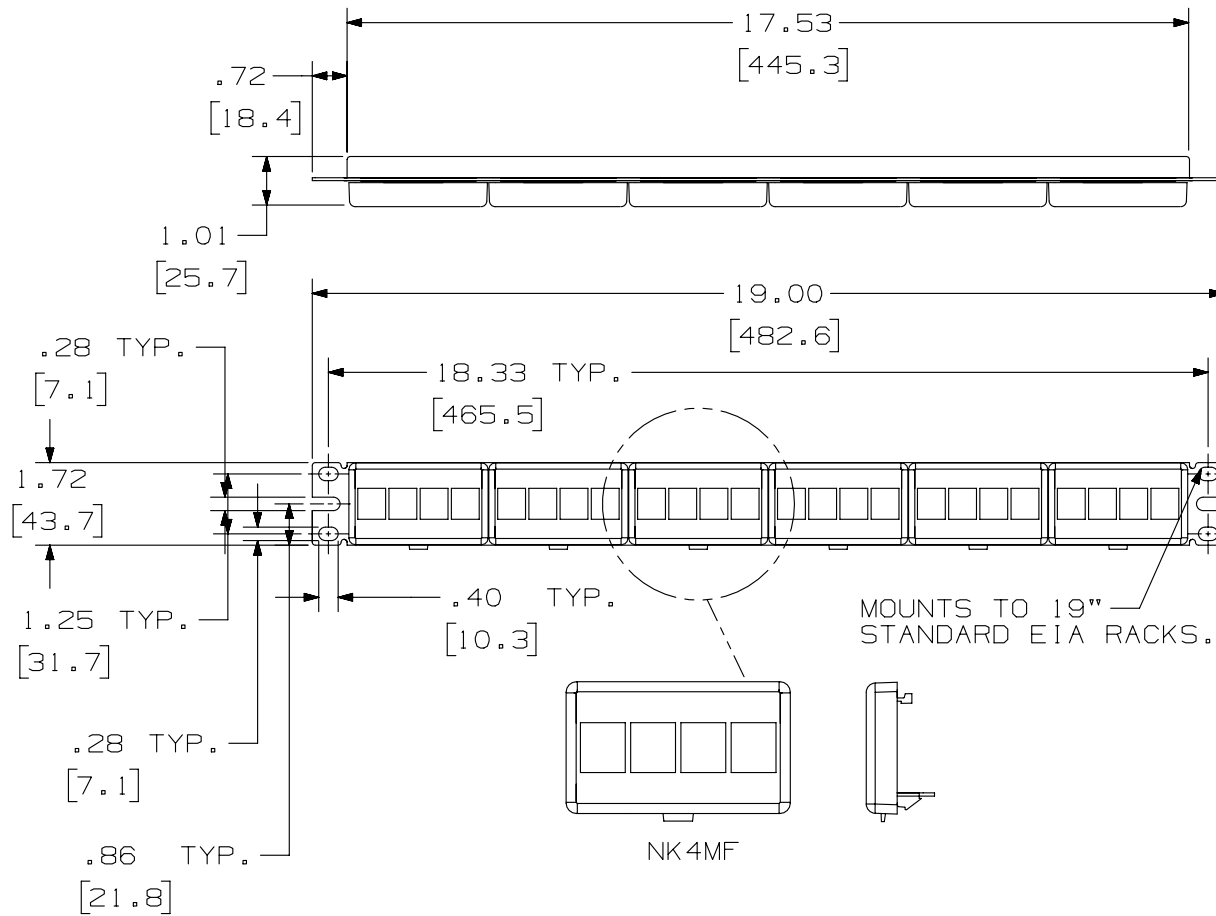
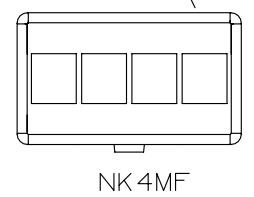


THIS COPY IS PROVIDED ON A RESTRICTED BASIS AND IS NOT TO BE USED IN ANY WAY DETRIMENTAL TO THE INTERESTS OF PANDUIT CORP.



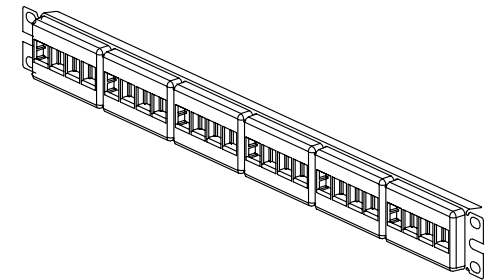
MOUNTS TO 19" STANDARD EIA RACKS.



PANDUIT PART NO.	WEIGHT
NKFP24Y	7.12 LB/10 PCS (3236 g/10 PCS)

NOTES:

- SEE CURRENT CATALOG FOR VARIOUS APPLICATIONS WITH THIS WIRING SYSTEM.
- PATCH PANEL IS DESIGNED FOR MOUNTING TO 19" STANDARD EIA RACKS.
- PATCH PANELS ACCEPT ALL NETKEY MODULES.
- DIMENSIONS IN [] ARE METRIC.
- PART INCLUDES:
 - (1) -24 PORT STAMPING
 - (6) -FURNITURE FACEPLATE (ASSEMBLED TO STAMPING)
 - (1) -SCREW KIT (INCLUDES FOUR #12-24 SCREWS)
 - (1) -SCREW KIT (INCLUDES FOUR M6 SCREWS)



PART NUMBER		NKFP24Y		
TITLE		NETKEY 24 PORT MODULAR FACEPLATE PATCH PANEL		
		CUSTOMER DRAWING		
ITEM REVISION NAME		M02479DK/00		
DATASET FILE NAME		M02479DK_DC91/00B		
UNLESS OTHERWISE SPECIFIED, DIMENSIONAL TOLERANCES ARE: IN [mm]				
.x ± .xxx ± .010 [.3] .xx ± .03 [.8] ANGLES ±				
DRAWN BY		DATE		DRAWING NUMBER:
JSP		3-11-06		02479-091
CHK		SCALE		SHT 1 OF 1
MJD		NONE		A
THIRD ANGLE PROJECTION				

REV	DATE	BY	CHK	APR	DESCRIPTION	ECN
1	5/19/14	JSP	REFR	JCK	A. REVISED DRAWING TITLE BLOCK.	02479-091
R	3-11-06	JSP	MJD	MJD	RELEASED TO PRODUCTION	02479-091

D10100DA/14