

PA Series

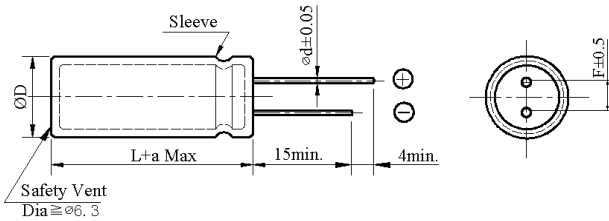
- 105°C Long Life (5,000 hours), Ultra Miniature size
Body diameter of Φ10mm to Φ14.5mm with high ripple current capability



◆ SPECIFICATIONS

Item	Performance Characteristics			
Category Temperature Range	-25 ~ +105°C			
Working Voltage Range	400 ~ 450Vdc			
Capacitance Range	27 ~ 120 µF			
Capacitance Tolerance	±20% (at 25°C and 120Hz)			
Dissipation Factor (tanδ) (at 25°C, 120Hz)	Rated Voltage (V)	400	420	450
	tanδ(Max)	0.20	0.20	0.20
Leakage Current	I=0.03CV + 10µA I : Leakage current (µA) C : Rated capacitance (µF) V : Rated voltage (V) Impress the rated voltage for 2 minutes			
Low Temperature Characteristics Impedance Ratio(MAX)	Rated voltage (V)	400	420 ~ 450	
	Z(-25°C)/Z(+20°C)	5	6	
Endurance	The following specifications shall be satisfied when the capacitors are restored to 25 °C after subjected to DC voltage with the rated ripple current is applied for 5,000 hours at 105 °C.			
	Capacitance change	≒ ±20% of the initial value		
	Dissipation factor(tanδ)	≒ 200% of the specified value		
	Leakage current	≒ specified value		
Shelf Life	The following requirements shall be satisfied when the capacitor are restored to 25°C after the rated voltage applied for 1,000 hours at 105°C without voltage applied.			
	Capacitance change	≒ ±20% of the initial value		
	Dissipation factor(tanδ)	≒ 200% of the specified value		
	Leakage current	≒ 200% of the specified value		
Others	Conforms to JIS-C-5101-4 (1998), characteristic W			

◆ DIMENSIONS (mm)



ΦD	10	12.5	14.5
ΦD	ΦD + 0.5 Max		
Φd	0.6	0.6	0.8
F	5.0	5.0	7.5
a	L + 1.5 Max	≒ 35 L+1.5Max ≒ 40 L+2.0 Max	L + 2.0 Max

◆ PART NUMBER SYSTEM(Example : 450V 39µF)

P A 2 W 3 9 0 M N N 1 0 5 5

Special Request

Size code(1055 : 10×55)

Lead length code

Lead forming Type code

Capacitance tolerance code(M: ±20%)

Capacitance code (39µF)

Voltage code (450V)

Series code (PA)

Aluminum Electrolytic Capacitor

Customer	Digi-Key	SERIES	PA	NO.:	PUBLISH DATE	2022-03-25
----------	----------	--------	----	------	--------------	------------

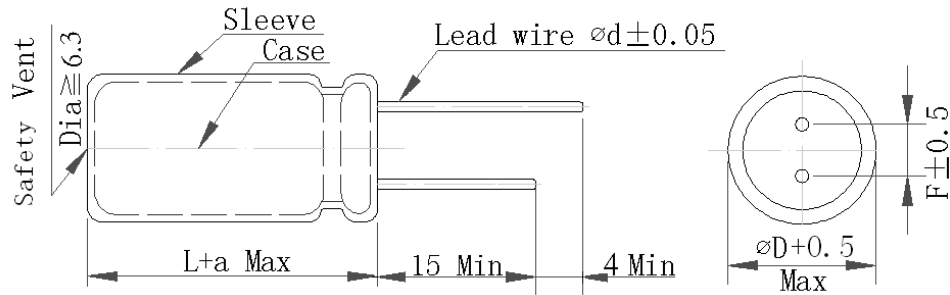


FIG-1

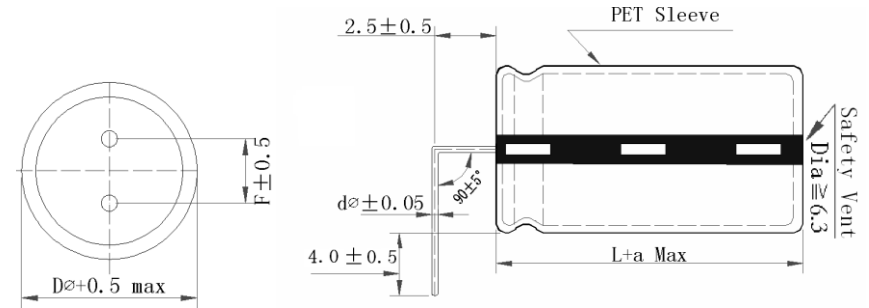


FIG-2

No.	CHINSAN Part No.	Customer Part No.	Capacitance (uF)	Tolerance On rated Capacitance (%)	Working Voltage (Vdc)	Surge Voltage (Vdc)	Category Temp Range (°C)	Tanδ @ 25°C (120Hz) (Max)	Leakage Current (uA) (2 min.)	Rated Ripple Current (mA rms) @ 105°C 120Hz	Rated Ripple Current (mA rms) @ 105°C 100kHz	ESR @ 25°C (mΩ max/ 120Hz)	Impedance @ 20°C (mΩ max/ 100kHz)	Endurance @ 105°C (Hours)	Dimensions (mm)					Appearance Drawing No
															DΦ	L	a	d	F	
1	PA2W680MNN1250	/	68 μF	±20%	450 V	/	-25~+105	/	/	550	/	/	/	5000	12.5	50	/	/	5	FIG-1
2	PA2W560MSD1052	/	56 μF	±20%	450 V	/	-25~+105	/	/	450	/	/	/	5000	10	52	/	/	5	FIG-2

※Test leakage current before testing dissipation factor and capacitance during the electric characteristic test.

REMARKS:	APPROVED BY	CHECKED BY	PREPARED BY
Sleeve Color: Black.	张洪斌	曾爱娥	梁慧妍