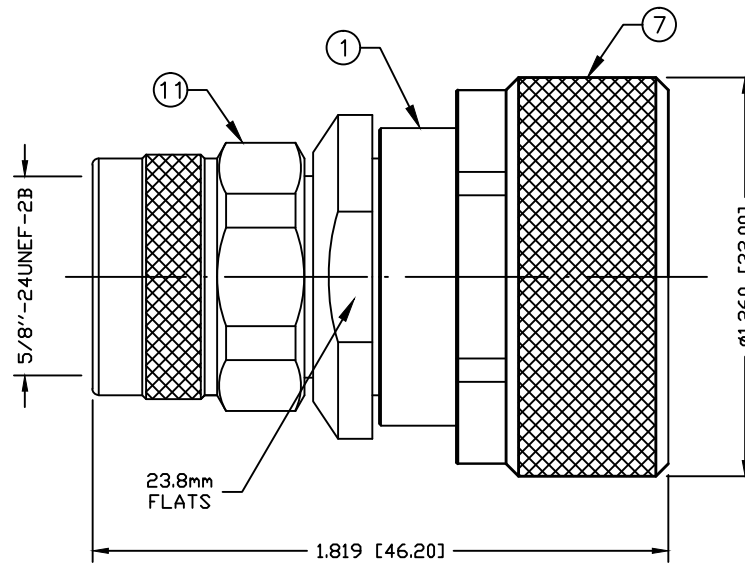


PART NO.

**RFD-1670-2**

REV	DESCRIPTION	DWN	DATE	APPROVED
D	CHANGED N SHELL FROM KNURLED TO HEX-KNURL	CZS	10/01/17	JDMc

**SPECIFICATIONS:**

IMPEDANCE: 50 OHMS  
 FREQUENCY RANGE: DC-7.5 GHz  
 PEAK POWER: 13.2 Kw max.  
 AVERAGE POWER: 3.0 Kw max.  
 VSWR MAX: <1.1:1 @ DC-7.5 GHz  
 INSERTION LOSS: -.01 dB x  $\sqrt{\text{FREQUENCY GHz}}$   
 PIM:  $\leq -155$  dBc @ 700 MHz  
 PIM:  $\leq -155$  dBc @ 1900 MHz  
 TEMPERATURE RANGE: -55°C TO 165°C

12	RETAINING RING	1	BRASS	SILVER
11	SHELL	1	BRASS	SILVER
10	GASKET	1	S.I. RUBBER	RED
9	GROUND RING	1	BeCu	SILVER
8	DIELECTRIC	1	PTFE	NONE
7	SHELL	1	BRASS	SILVER
6	GASKET	1	S.I. RUBBER	RED
5	GROUND RING	1	BRASS	SILVER
4	DIELECTRIC	1	PTFE	NONE
3	PIN	1	BRASS	SILVER
2	PIN	1	BRASS	SILVER
1	BODY	1	BRASS	SILVER
#	DESCRIPTION	QTY	MATERIAL	FINISH

CUSTOMER  
OUTLINE DRAWINGALL DIMENSIONS  
ARE REFERENCE ONLYUNLESS OTHERWISE SPECIFIED:  
DIMENSIONS ARE IN INCHES  
AND [MILLIMETERS]DRAWN  
C. ZUNIGA 10/01/17  
CHECKEDORJ DRAWN  
K. MAXWELL 05/01/97**RoHS  
COMPLIANT**

PROPRIETARY AND CONFIDENTIAL  
 THIS DRAWING CONTAINS  
 INFORMATION PROPRIETARY TO  
 RF INDUSTRIES. ANY  
 UNAUTHORIZED USE OF THIS  
 DRAWING IS EXPRESSLY  
 PROHIBITED WITHOUT WRITTEN  
 PERMISSION FROM RF  
 INDUSTRIES. ANY VIOLATION IS  
 PUNISHABLE UNDER U.S.  
 COPYRIGHT LAWS.

**RFconnectors**

RFINDUSTRIES.COM  
 7610 MIRAMAR RD.  
 SAN DIEGO, CA 92126  
 (858) 549-6340  
 DIVISION OF RF INDUSTRIES, LTD. (858) 549-6345 FAX

**7/16 DIN PLUG TO  
N PLUG ADAPTER**

SIZE	CABLE GROUP	DWG NO.	REV
A	N/A	<b>RFD-1670-2</b>	D
SCALE:	ENGINEERING ID:	SHEET 1 OF 1	
NTS	000000		