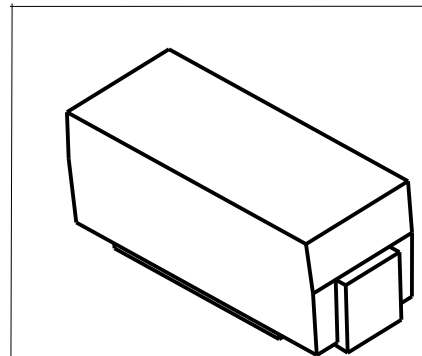
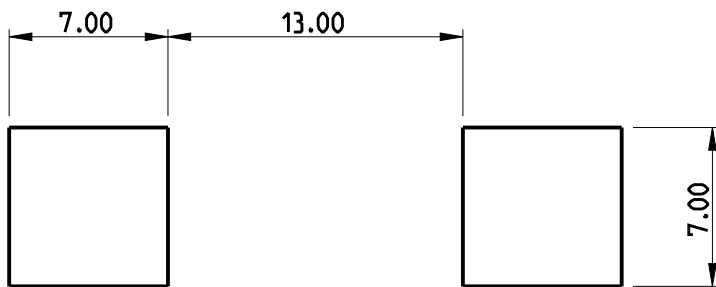
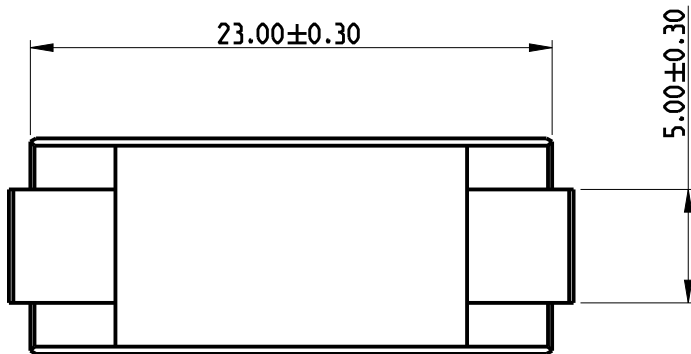
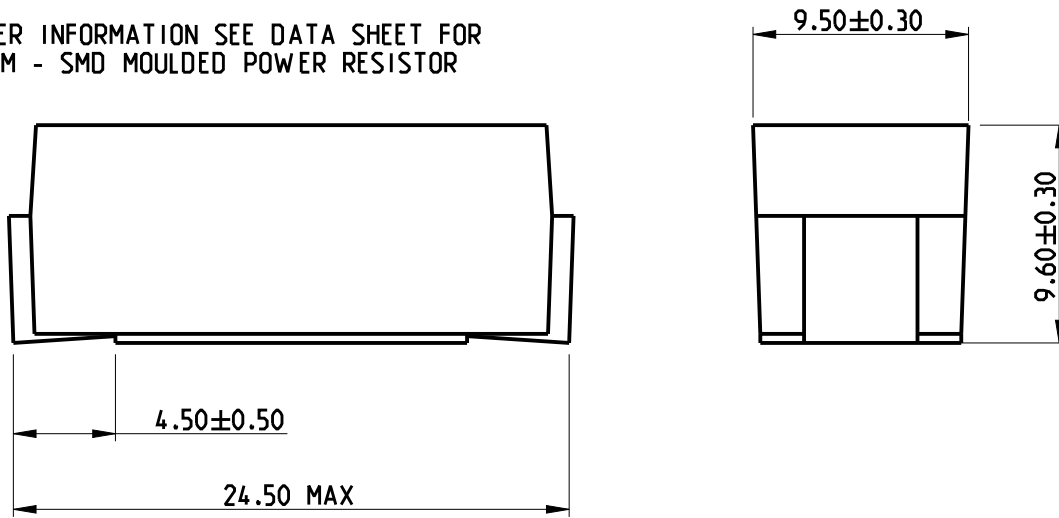


REVISIONS

P	LTR	DESCRIPTION	DATE	DWN	APVD
	BA	NEW RELEASE	13AUG2020	SB	AP

FOR FURTHER INFORMATION SEE DATA SHEET FOR SERIES SM - SMD MOULDED POWER RESISTOR



RECOMMENDED LAND PATTERN

© 2020 TE Connectivity. All Rights Reserved.

DIMENSIONS: mm		DWN SHRICHARANA B 23JUL2020	MATERIAL -	FINISH -		
TOLERANCES UNLESS OTHERWISE SPECIFIED:		CHK ALLAN.P 23JUL2020	<b>TE Connectivity</b>			
0 PLC ±0.2		APVD ALLAN.P 23JUL2020				
1 PLC ±0.1		PRODUCT SPEC -	NAME SMD MOULDED POWER RESISTOR TYPE SMF7 SERIES			
2 PLC ±		APPLICATION SPEC -	SIZE A4	CAGE CODE 00779	DRAWING NO C-2176460	RESTRICTED TO
3 PLC ±		WEIGHT -	CUSTOMER DRAWING			
4 PLC ±			SCALE 3:1	SHEET 1 OF 1	REV BA	
ANGLES 5°						