

RECOMMENDED P.C.B. PATTERN DIMENSION.(REFERENCE)
(MOUNTING AREA)

注記 NOTES:

1. 使用材料 MATERIAL
ハウジング: 液晶ポリマー ガラス充填 UL94V-0 茶色
HOUSING: LIQUID CRYSTAL POLYMER, GLASS FILLED, UL94V-0, COLOR BROWN
ターミナル: リン青銅 (t=0.15)
TERMINAL: PHOSPHOR BRONZE (t=0.15)
2. メッキ仕様 PLATING
金メッキ(コンタクト部) 0.25μm以上
GOLD (CONTACT AREA) 0.25 MICROMETER MINIMUM.
錫メッキ(テール部)
TIN (TAIL AREA)
下地メッキ: ニッケルメッキ 1.5μm以上
UNDER PLATING: NICKEL 1.5 MICROMETER MINIMUM.
3. 嵌合相手: 503376シリーズ
MATE WITH: 503376 SERIES.
4. テール平坦度は、0.08以下
TAIL COPLANARITY TO BE 0.08 MAXIMUM
5. ELV及びRoHS適合品
ELV AND RoHS COMPLIANT
6. 本製品は54552シリーズのボス無し、ロック無し品である。
THIS PRODUCT IS NON-BOSS AND NON-LOCK VERSION OF 54552 SERIES.

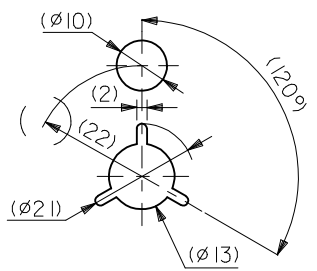
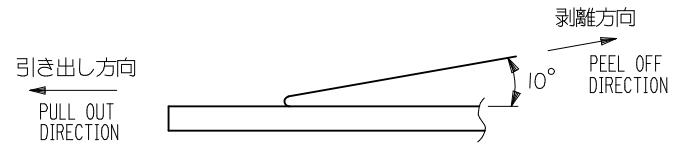
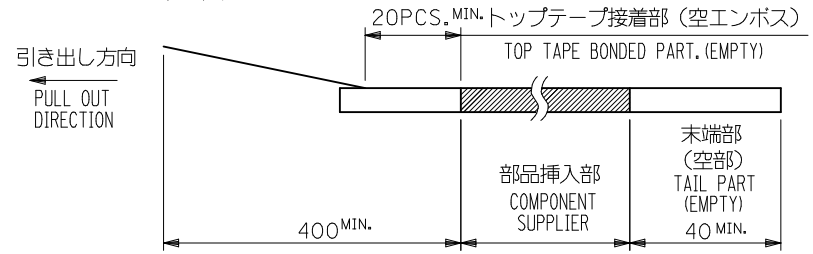
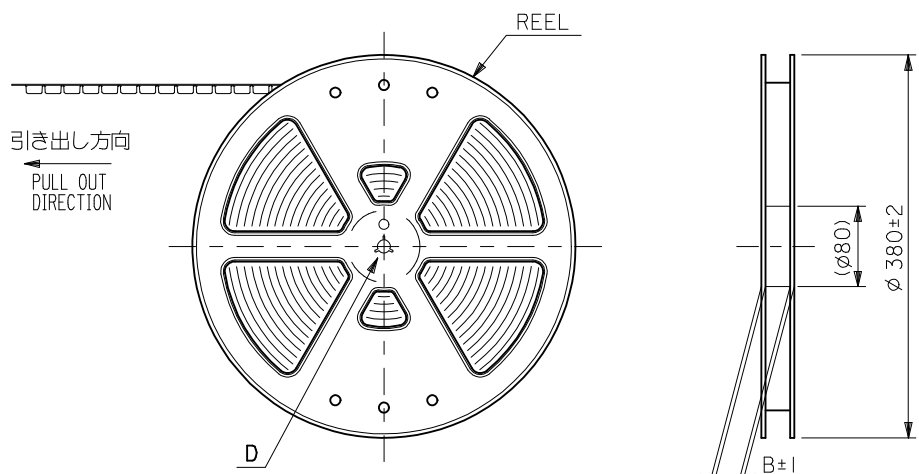
△テール部に適用
APPLY TO THE TAIL AREA

11	9.6	11.6	54552-5010	50
C	B	A	EMBOSSED TAPE PKG	CIRCUITS
			ORDER No. オーダー番号	
			CONNECTOR SERIES No.	54552-**19

RELEASED EC NO: J2013-0242 DRWG: GMATSUNO 2012/08/31 CHKD: TASAKAWA 2012/08/31 APPR: TASAKAWA 2012/08/31	DESCRIPTION REV	GENERAL TOLERANCES (UNLESS SPECIFIED)		DIMENSION STYLE	SCALE	DESIGN UNITS	THIRD ANGLE PROJECTION
				MM ONLY	---	METRIC	
		10 UNDER	±0.2	DRAWN BY	DATE	TITLE	
		10 OVER 30 UNDER	±0.25	GMATSUNO	2012/08/27	0.4 B/B CONN R/A REC HSG ASSY W/O BOSS W/O LOCK	
30 OVER	±0.3	TASAKAWA	2012/08/27				
		ANGULAR	±3 °	APPROVED BY	DATE	molex	SHEET NO. 1 OF 1
		DRAFT WHERE APPLICABLE MUST REMAIN WITHIN DIMENSIONS		TASAKAWA	2012/08/31		
				MATERIAL NO.	DOCUMENT NO.		
				SIZE	THIS DRAWING CONTAINS INFORMATION THAT IS PROPRIETARY TO MOLEX INCORPORATED AND SHOULD NOT BE USED WITHOUT WRITTEN PERMISSION		
				A3	SEE CHART SD-54552-027		

NOTES

- 製品詳細寸法については SD-54552-027 を参照ください。
RE DETAILED DIMENSION, SEE SD-54552-027
- 梱包数量：1500個/リール
NUMBER OF CONNECTORS：1500PCS/REEL
- リードテープ長さ LEAD TAPE LENGTH
20PCS. MIN. トップテープ接着部 (空エンボス)
TOP TAPE BONDED PART. (EMPTY)
部品挿入部
COMPONENT SUPPLIER
末端部 (空部)
TAIL PART (EMPTY)
40 MIN.
- トップテープの剥離強度：0.1 ~ 1.3N {10 ~ 130gf} (剥離方向は下図参照)
尚、本規格値は出荷時に適用。(但し、輸送時に剥離が発生しないこと。)
PEELING OFF FORCE OF TOP TAPE：0.1 ~ 1.3N {10 ~ 130gf}
(PEELING DIRECTION AS SHOWN IN FOLLOWING FIG.)
THIS REQUIREMENT SHOULD BE APPLIED AT SHIPMENT.
PEEL OFF SHOULD NOT BE ALLOWED, DURING TRANSPORTATION.
- 材料 (MATERIAL)
キャリアテープ (CARRIER TAPE)：ポリプロピレン (POLYPROPYLENE)
トップテープ (TOPTAPE)：PET, PE, PEF
リール (REEL)：ポリスチレン (P.S) (リサイクル材を含む)
POLYSTYRENE (PS) <RECYCLE MATERIAL CONTAINED>
- ELV 及び RoHS 適合品
ELV AND RoHS COMPLIANT.
- 本製品は、54552 シリーズのボス無し、ロック無し品である。
THIS PRODUCT IS NON-BOSS AND NON-LOCK VERSION OF 54552 SERIES.

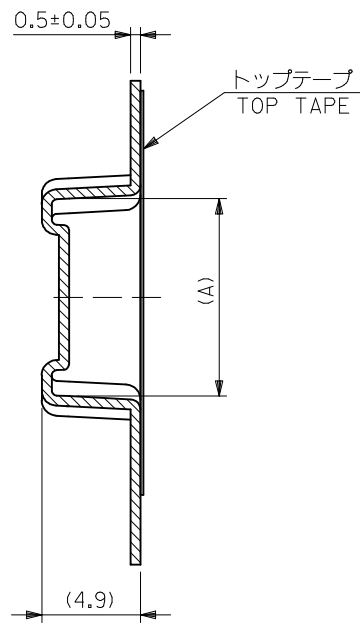


DETAIL D

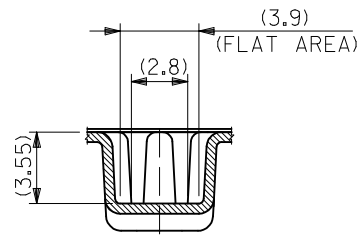
54552-5010	50
EMBOSSED TAPE PKG.	極数
ORDER No. オーダー番号	CIRCUITS

CONNECTOR SERIES No. 54552-**10

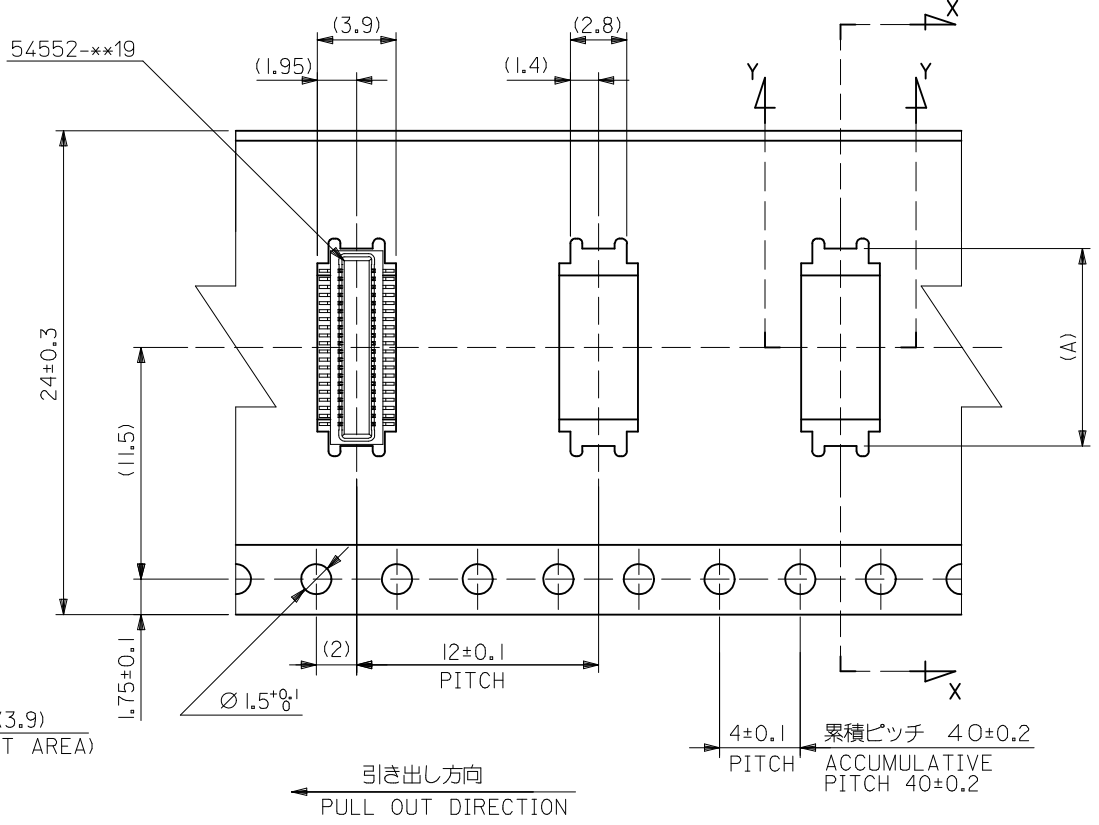
RELEASED EC NO.: J2013-0242 DRWG: GMATSUNO 2012/08/31 CHKD: TASKAWA 2012/08/31 APPR: TASAKAWA 2012/08/31	DESCRIPTION REV: 0	GENERAL TOLERANCES (UNLESS SPECIFIED)		DIMENSION STYLE MM ONLY		SCALE ---	DESIGN UNITS METRIC	THIRD ANGLE PROJECTION		
		10 UNDER	±0.2	DRAWN BY GMATSUNO	DATE 2012/08/27	TITLE EMBSTP PKG FOR 0.4 B/B CONN. RA REC ASSY W/O BOSS W/O LOCK				
		10 OVER 30 UNDER	±0.25	CHECKED BY TASAKAWA	DATE 2012/08/27	molex SD-54552-028 SHEET NO. 1 OF 2				
		30 OVER	±0.3	APPROVED BY TASAKAWA	DATE 2012/08/31					
ANGULAR ±3 °		DRAFT WHERE APPLICABLE MUST REMAIN WITHIN DIMENSIONS		MATERIAL NO. SEE CHART		DOCUMENT NO.		SHEET NO.		
THIS DRAWING CONTAINS INFORMATION THAT IS PROPRIETARY TO MOLEX INCORPORATED AND SHOULD NOT BE USED WITHOUT WRITTEN PERMISSION										



SECT X-X



SECT Y-Y



24mm幅キャリアテープ
 24mm WIDTH CARRIER TAPE

24	29.4	25.4	11.8	54552-5010	50
キャリアテープ幅 CARRIER TAPE WIDTH	C	B	(A)	EMBOSSED TAPE PKG. ORDER No. オーダー番号	極数 CIRCUITS

RELEASED EC NO: J2013-0242 DRWG: GMATSUNO 2012/08/31 CHKD: TASAKAWA 2012/08/31 APPR: TASAKAWA 2012/08/31 REV: 0	DESCRIPTION 10 UNDER ±0.2 10 OVER 30 UNDER ±0.25 30 OVER ±0.3 ANGULAR ±3 ° DRAFT WHERE APPLICABLE MUST REMAIN WITHIN DIMENSIONS	GENERAL TOLERANCES (UNLESS SPECIFIED)	DIMENSION STYLE MM ONLY	SCALE ---	DESIGN UNITS METRIC	CONNECTOR SERIES NO. 54552-**10 THIRD ANGLE PROJECTION	
		DRAWN BY GMATSUNO	DATE 2012/08/27	TITLE EMBSTP PKG FOR 0.4 B/B CONN. RA REC ASSY W/O BOSS W/O LOCK			
		CHECKED BY TASAKAWA	DATE 2012/08/27	MATERIAL NO. SEE CHART			
		APPROVED BY TASAKAWA	DATE 2012/08/31	DOCUMENT NO. SD-54552-028	SHEET NO. 2 OF 2		