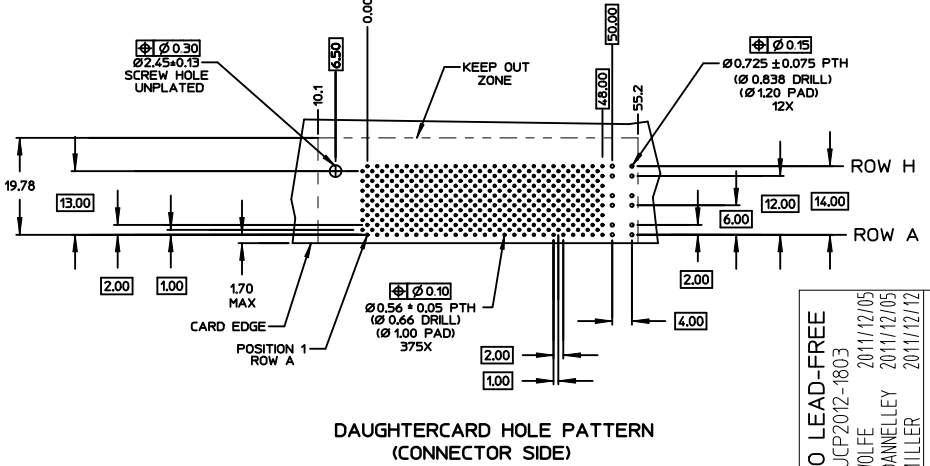


LEAD-FREE
PLATING

- NOTES:
- MATERIALS: HOUSING : LIQUID CRYSTAL POLYMER (LCP) GLASS-FILLED, UL94V-0, BLACK. TERMINALS: COPPER ALLOY STIFFENER: STAINLESS STEEL
 - FINISH: SELECTIVE GOLD (Au) 0.76 micrometer MINIMUM IN CONTACT AREA, SELECTIVE MATTE TIN (Sn) IN TAIL AREA, NICKEL (Ni) UNDERPLATE OVERALL.
 - REFER TO MOLEX PRODUCT SPECIFICATION PS-74031-999 FOR PERFORMANCE SPECIFICATIONS.
 - PARTS TO BE PACKAGED PER PK-70873-5041. SCREWS PACKED IN BAG INSIDE TUBE.
 - THIS PART CONFORMS TO CLASS 'B' REQUIREMENTS OF MOLEX COSMETIC SPECIFICATION PS-45499-002.
 - REFER TO MOLEX DOCUMENT SD-74041-002 FOR ADDITIONAL DETAIL ON THE SIGNAL WAFER.
 - REFER TO MOLEX DOCUMENT SD-74037-006 FOR ADDITIONAL DETAIL ON THE GUIDANCE MODULE.
 - REFER TO MOLEX DOCUMENT SD-75885-002 FOR ADDITIONAL DETAIL ON THE LEAD-FREE POWER MODULE.
 - LABEL MARKED WITH MOLEX PART NUMBER AND DATE CODE. LABEL MAY BE REPLACED WITH LASER MARKING ON THE STIFFENER.

ITEM	PART NUMBER	DESCRIPTION	QTY
1	74046-0065	STIFFENER	1
2	74041-1001	SIGNAL WAFER, LF	25
3	74037-8001	POLARIZING/GUIDE MODULE	1
4	73726-0000	GUIDE MODULE MNTG SCREW	1
5	75885-8321	POWER MODULE, LF	1



CUSTOMER: MOLEX
(MARKETING)

REV TO LEAD-FREE EC NO: UCP2012-1803 DRWN:MMOLFE 2011/12/05 CHKD:SDANNELLEY 2011/12/05 APPR:SMILLER 2011/12/12	QUALITY SYMBOLS	GENERAL TOLERANCES (UNLESS SPECIFIED)	DIMENSION STYLE	SCALE	DESIGN UNITS	THIRD ANGLE PROJECTION
	▽=0	mm INCH	MM ONLY	2:1	METRIC	⊙
	▽=0	4 PLACES ± --- ± ---	DRAWN BY DATE	VHDM 8 ROW, LF DAUGHTERCARD SALES DRAWING		
	▽=0	3 PLACES ± --- ± ---	VARVARA 03/10/08			
▽=0	2 PLACES ± 0.25 ± ---	CHECKED BY DATE	MOLEX MOLEX INCORPORATED			
▽=0	1 PLACE ± 0.38 ± ---	JLAURX 03/10/08				
	ANGULAR ± 1/2°	APPROVED BY DATE	MATERIAL NO.	DOCUMENT NO.	SHEET NO.	
		SMILLER 2011/12/12	74040-0229	SD-74040-229	1 OF 1	
			SIZE B	THIS DRAWING CONTAINS INFORMATION THAT IS PROPRIETARY TO MOLEX INCORPORATED AND SHOULD NOT BE USED WITHOUT WRITTEN PERMISSION		

