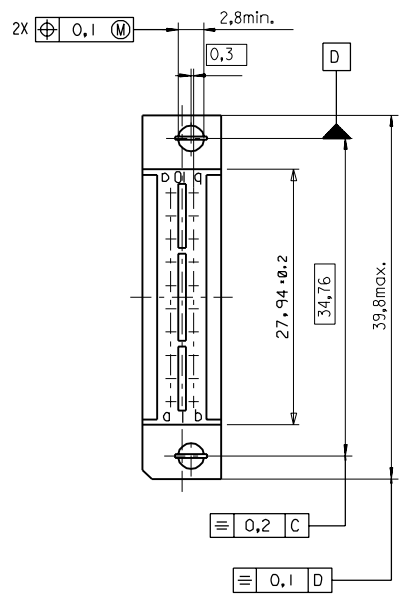
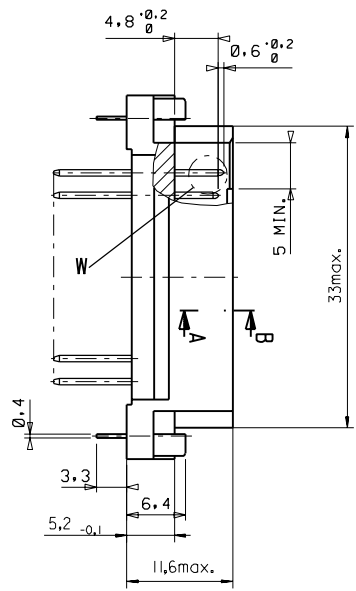
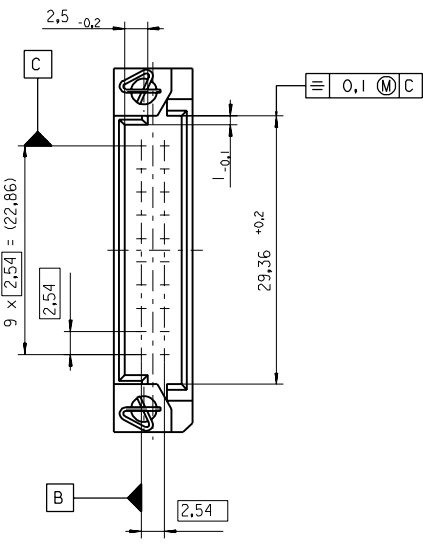
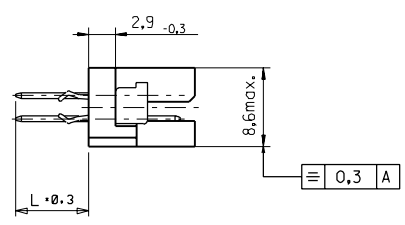
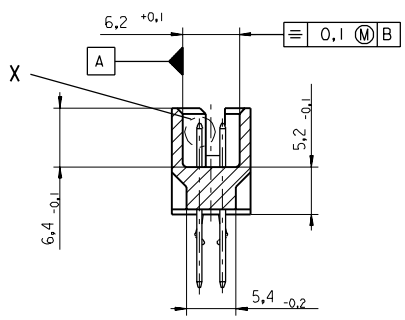
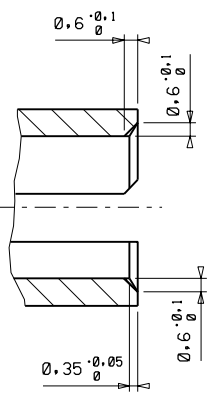
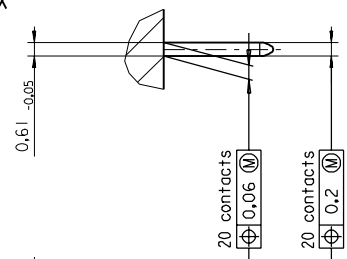


PART NO.  
DWG. NO.

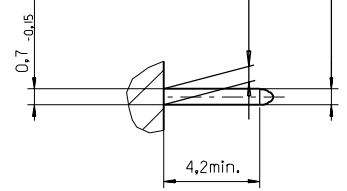
Section A - B  
5:1



View X  
5:1



View W  
5:1



first release see ECN No. 1887		FIRST ANGLE PROJECTION		REVISE ONLY ON CAD SYSTEM		SH.	REV.	
A	L TR FOR PREVIOUS REVISIONS SEE MRI LIST	UNLESS OTHERWISE SPECIFIED TOLERANCES: ANGULAR ±2°		DRWG BY	SIGN	CAD/CAM PROJECT NAME		
		INCH METRIC		Ca		8501000 611		
		3 PLACE ± . ±	±	CHK'D BY	SIGN	TITLE 20 pos. Male connector acc. DIN 41612 style Q/3 Dimensions		
		2 PLACE ± . ±	±	KN				
1 PLACE ± . ±	±	APP'D BY	SIGN	SHEET NO. DATE		THIS DRAWING CONTAINS INFORMATION THAT IS PROPRIETARY TO MOLEX INC. & SHOULD NOT BE USED WITHOUT WRITTEN PERMISSION		
DESIGN DIMENSION <input checked="" type="checkbox"/> MM		DRAFT WHERE APPLICABLE MUST REMAIN WITHIN DIMENSIONS		SCALE		1 OF 95/06/08		
EQUIVALENT DIMENSION <input type="checkbox"/> MM		IF TWO DIMENSIONS ARE SHOWN THE UPPER IS THE DESIGN DIMENSION, LOWER IS SECONDARY		2:1		SDA-85011-0001		
						SIZE B		