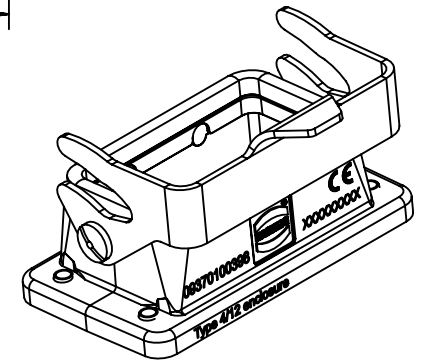
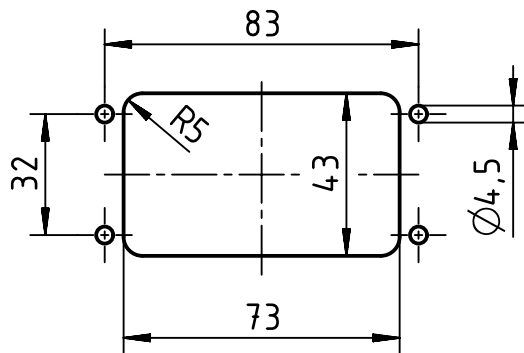



panel cut out (1:2)



|   |   |   |                    |                          |                            |  |
|---|---|---|--------------------|--------------------------|----------------------------|--|
|  | All rights reserved<br>Department EL PD | All Dimensions in mm<br>Original Size DIN A4        |                    | Scale<br>1:1             | Free size tol.             | Ref.   |
|   |   | HARTING Electric GmbH & Co. KG<br>D-32339 Espelkamp | Created by<br>WENE | Inspected by<br>LUOK     | Standardisation<br>RUETERA | Date<br>2020-07-15                                       |
| Title<br>Han 10M HBM-Rear Fit-SL-w/o frame  |   |   |                    |                          |                            | Doc-Key / ECM-Nr.<br>100876541/UGD/002/A<br>500000164781 |
| Type<br>TB  |   |   |                    | Number<br>09 37 010 0398 |                            | Rev.<br>A  |
|   |   |   |                    |                          |                            | Page<br>1/1  |