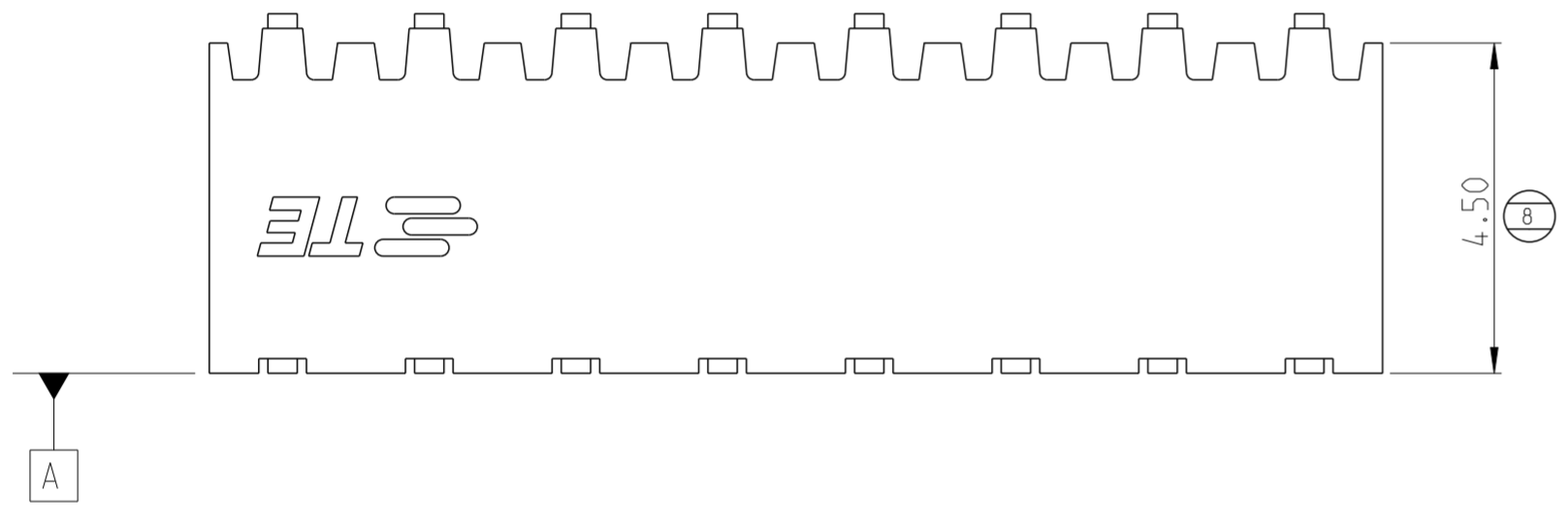
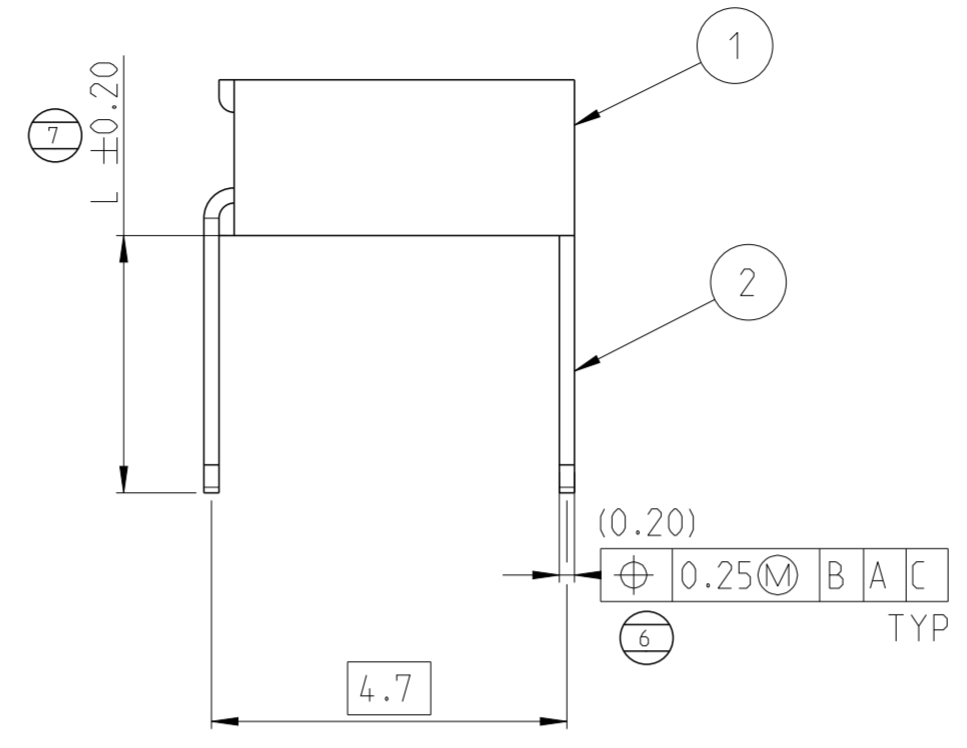
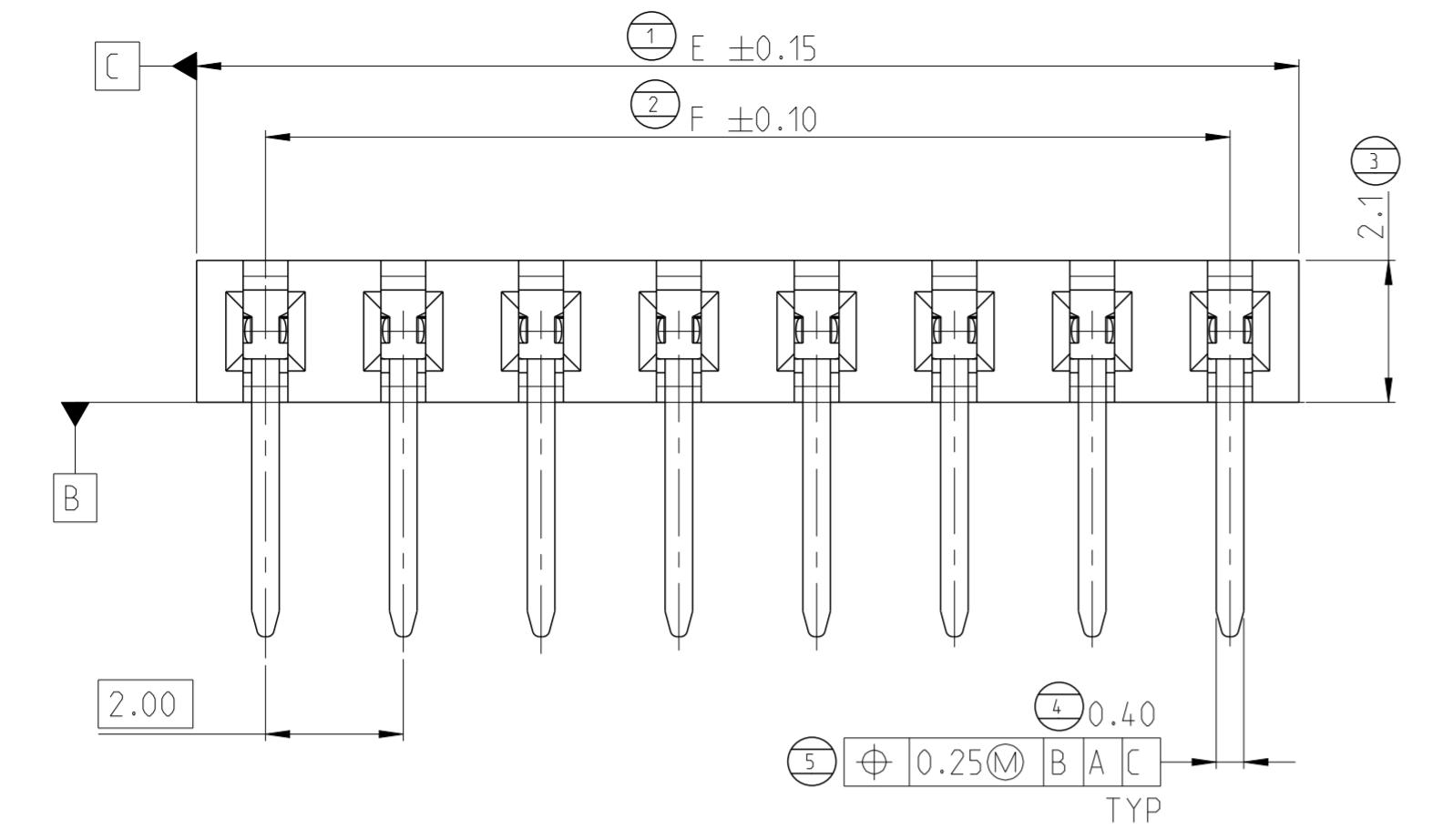


© 2021 TE Connectivity. All Rights Reserved.

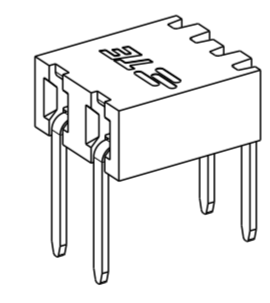
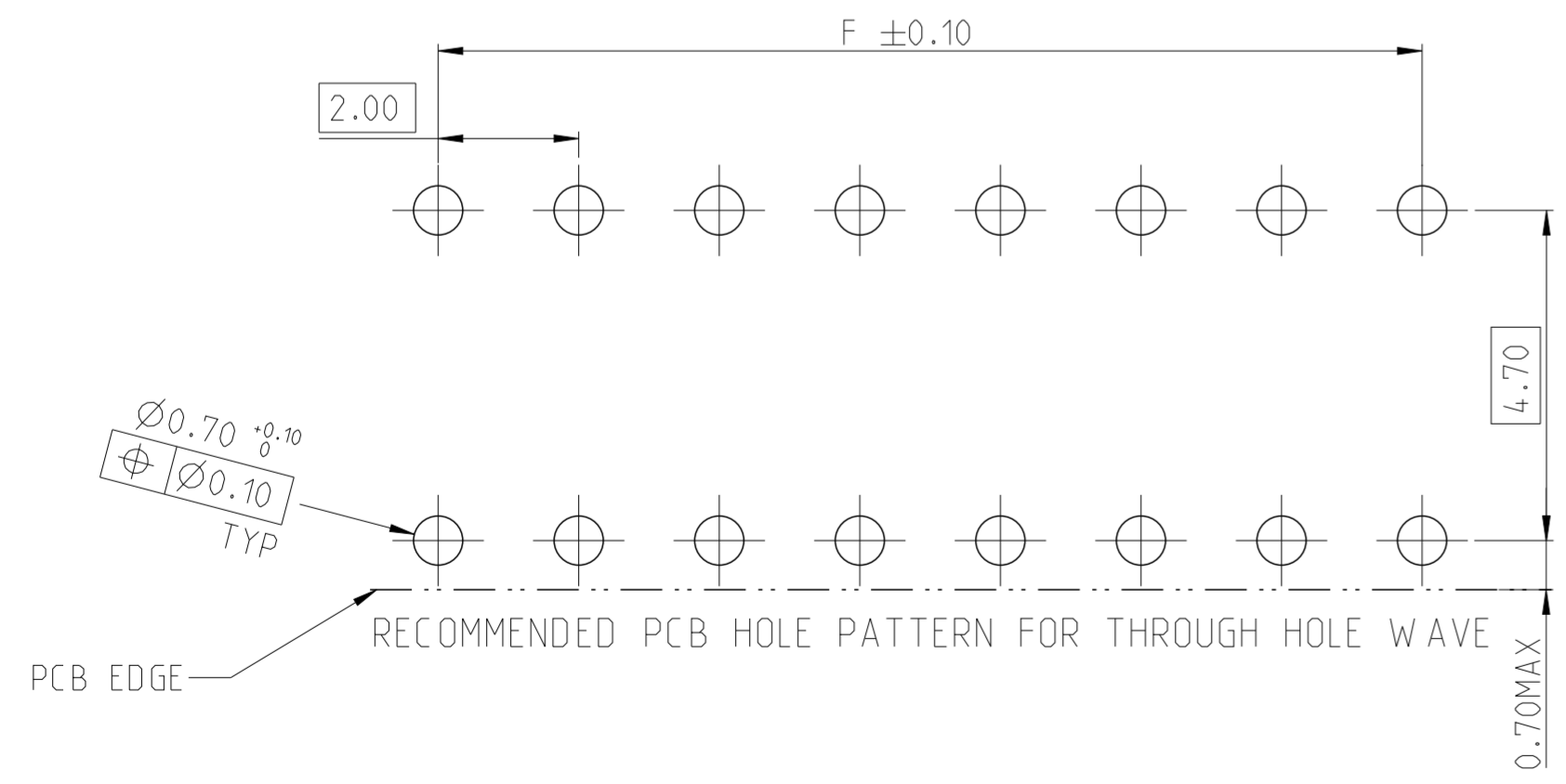
REVISIONS					
P	LTR	DESCRIPTION	DATE	DWN	APVD
A2		ECR-21-115824	05OCT2021	SCB	AY
A3		SMART PN DETAILS ADDED	21MAR2022	SCB	PS



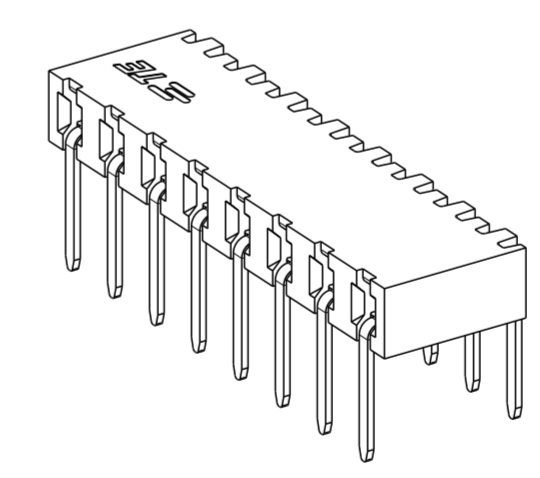
CONTACT	2
HOUSING	1
DESCRIPTION	ITEM

NOTES:

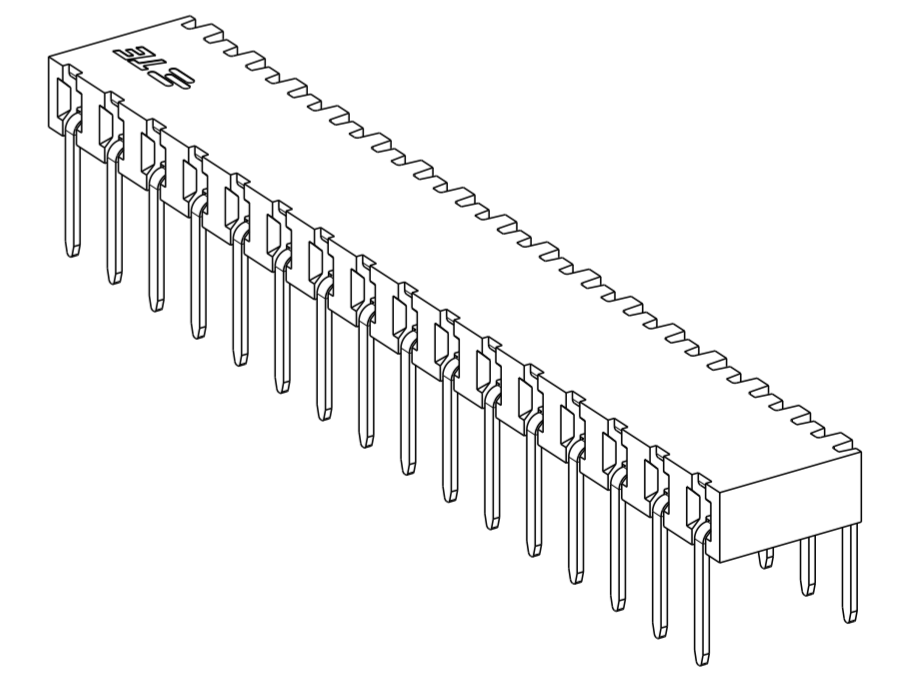
- 1 MATERIAL:
HOUSING: LCP, UL94 V0, BLACK
CONTACT: PHOSPHOR BRONZE, 0.20mm THICK.
- 2 ALL OVER 3-5µm TIN OVER MIN 1.27µm NICKEL UNDERPLATE
- 3 CONTACT AREA: MIN 0.1µm GOLD
SOLDER TAIL: 3-5µm TIN
UNDERPLATING: MIN 1.27µm NICKEL ALL OVER
- 4 CONTACT AREA: MIN 0.38µm GOLD
SOLDER TAIL: 3-5µm TIN
UNDERPLATING: MIN 1.27µm NICKEL ALL OVER
- 5 CONTACT AREA: MIN 0.76µm GOLD
SOLDER TAIL: 3-5µm TIN
UNDERPLATING: MIN 1.27µm NICKEL ALL OVER
- 6 N = NO. OF POSITIONS PER CONNECTOR.



2MM-R-S02-HT-01-T-TR AS SHOWN



2MM-R-S08-HT-01-T-TR AS SHOWN



2MM-R-S16-HT-01-T-TR AS SHOWN

THIS DRAWING IS A CONTROLLED DOCUMENT.		DWN 23NOV2017 SOURAV DAS		
DIMENSIONS: mm		CHK 19JULY2018 SHARATH S		
TOLERANCES UNLESS OTHERWISE SPECIFIED:		APVD 19JULY2018 PRASHANTH S	NAME AMPMODU 2mm, BtB RECEPTACLE, SINGLE ROW, HORIZONTAL TH/THR	
0 PLC ±		PRODUCT SPEC 108-64040	SIZE CAGE CODE DRAWING NO RESTRICTED TO	
1 PLC ±0.2		APPLICATION SPEC 114-32186	A2 00779 C-2307700	
2 PLC ±0.1		WEIGHT -	SCALE 10:1 SHEET 1 OF 2 REV A3	
3 PLC ±		CUSTOMER DRAWING		
4 PLC ±				
ANGLES ±2°				
FINISH SEE NOTES				

REVISIONS

P	LTR	DESCRIPTION	DATE	DWN	APVD
-	-	SEE SHEET 1	-	-	-

MATING SIDE PLATING (FINISH)	"L" SOLDER TAIL LENGTH	BTB RECEPTACLE BASE NUMBERS	
		TAPE & REEL PKG W/O CAP	TUBE PKG W/O CAP
TIN △ ₂	2.1	2MM-R-S__-HT-01-T-TR	2MM-R-S__-HT-01-T-TB
	2.8	2MM-R-S__-HT-02-T-TR	2MM-R-S__-HT-02-T-TB
	3.4	A/R	2MM-R-S__-HT-03-T-TB
GOLD FLASH 0.1 μm △ ₃	2.1	2MM-R-S__-HT-01-F-TR	2MM-R-S__-HT-01-F-TB
	2.8	2MM-R-S__-HT-02-F-TR	2MM-R-S__-HT-02-F-TB
	3.4	A/R	2MM-R-S__-HT-03-F-TB
GOLD 0.38 μm △ ₄	2.1	2MM-R-S__-HT-01-M-TR	2MM-R-S__-HT-01-M-TB
	2.8	2MM-R-S__-HT-02-M-TR	2MM-R-S__-HT-02-M-TB
	3.4	A/R	2MM-R-S__-HT-03-M-TB
GOLD 0.76 μm △ ₅	2.1	2MM-R-S__-HT-01-H-TR	2MM-R-S__-HT-01-H-TB
	2.8	2MM-R-S__-HT-02-H-TR	2MM-R-S__-HT-02-H-TB
	3.4	A/R	2MM-R-S__-HT-03-H-TB

* A/R- AVAILABLE ON REQUEST

SMART PART NUMBER
2MM - R - S__ - HT - __ - __ - __

PRODUCT SERIES

2MM AMPMODU 2mm SERIES

PACKAGING

TR	TAPE AND REELING WITHOUT CAP
TB	TUBE WITHOUT CAP

GENDER / TYPE

R RECEPTACLE

PLATING

T	TIN
F	GOLD FLASH
M	15 μm GOLD
H	30 μm GOLD

NUMBER OF ROWS

S SINGLE ROW

TAIL LENGTH

01	2.1 mm
02	2.8 mm
03	3.4 mm

NUMBER OF PINS PER ROW

XX 02 THROUGH 25 (ENTER TWO DIGITS)

ORIENTATION & TERMINATION


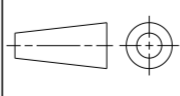
HT HORIZONTAL (RIGHT ANGLE) THROUGH HOLE

48	50	25	2MM-R-S25-HT-01-T-TR
46	48	24	2MM-R-S24-HT-01-T-TR
44	46	23	2MM-R-S23-HT-01-T-TR
42	44	22	2MM-R-S22-HT-01-T-TR
40	42	21	2MM-R-S21-HT-01-T-TR
38	40	20	2MM-R-S20-HT-01-T-TR
36	38	19	2MM-R-S19-HT-01-T-TR
34	36	18	2MM-R-S18-HT-01-T-TR
32	34	17	2MM-R-S17-HT-01-T-TR
30	32	16	2MM-R-S16-HT-01-T-TR
28	30	15	2MM-R-S15-HT-01-T-TR
26	28	14	2MM-R-S14-HT-01-T-TR
24	26	13	2MM-R-S13-HT-01-T-TR
22	24	12	2MM-R-S12-HT-01-T-TR
20	22	11	2MM-R-S11-HT-01-T-TR
18	20	10	2MM-R-S10-HT-01-T-TR
16	18	9	2MM-R-S09-HT-01-T-TR
14	16	8	2MM-R-S08-HT-01-T-TR
12	14	7	2MM-R-S07-HT-01-T-TR
10	12	6	2MM-R-S06-HT-01-T-TR
8	10	5	2MM-R-S05-HT-01-T-TR
6	8	4	2MM-R-S04-HT-01-T-TR
4	6	3	2MM-R-S03-HT-01-T-TR
2	4	2	2MM-R-S02-HT-01-T-TR
DIM "F"	DIM "E"	N	SMART PN

SMART PN EXAMPLES:

- 2MM-R-S02-HT-01-T-TR : AMPMODU 2mm, RECEPTACLE, SINGLE ROW, 02 POSITION PER ROW, HORIZONTAL (RIGHT ANGLE) THROUGH HOLE, 2.1 mm TAIL LENGTH, TIN PLATED, TAPE AND REEL PACKAGING WITH CAP
- 2MM-R-S25-HT-03-H-TB : AMPMODU 2mm, RECEPTACLE, SINGLE ROW, 25 POSITION PER ROW, HORIZONTAL (RIGHT ANGLE) THROUGH HOLE, 3.4 mm TAIL LENGTH, 30 μm GOLD PLATED, TUBE PACKAGING WITHOUT CAP

THIS DRAWING IS A CONTROLLED DOCUMENT.

DIMENSIONS: mm	TOLERANCES UNLESS OTHERWISE SPECIFIED: 0 PLC ± 1 PLC ±0.2 2 PLC ±0.1 3 PLC ± 4 PLC ±	APVD PRASHANTH S 19 JULY 2018	 TE Connectivity
MATERIAL	SEE NOTES	APVD SHARATH S 19 JULY 2018	
		PRODUCT SPEC 108-64040	NAME AMPMODU 2mm, BiB RECEPTACLE, SINGLE ROW, HORIZONTAL TH/TR
		APVD SOURAV DAS 23 NOV 2017	SIZE A2
		APVD CHK SHARATH S 19 JULY 2018	CAGE CODE 00779
		APVD PRASHANTH S 19 JULY 2018	DRAWING NO C-2307700
		RESTRICTED TO	SCALE 10:1
		CUSTOMER DRAWING	SHEET 2 OF 2
			REV A3