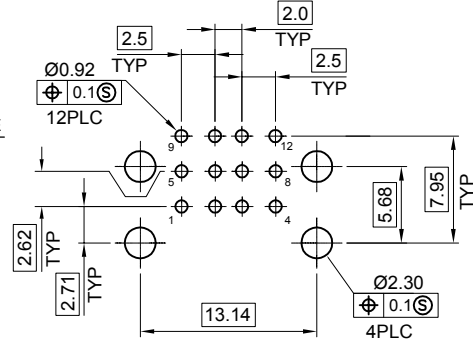
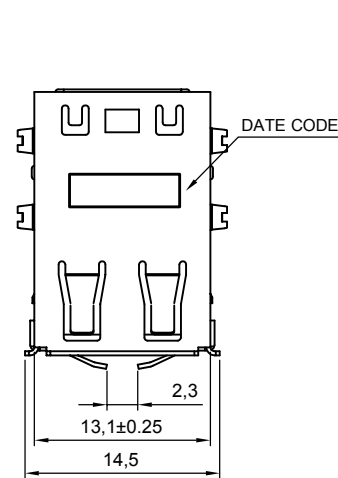


REV.	DESCRIPTION	DATE
A	RELEASE	

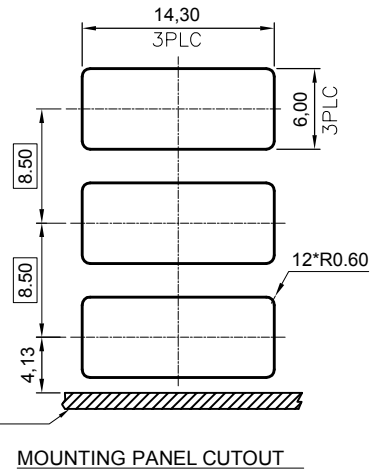
NOTES:

- MATERIAL:
 - HOUSING: PA6T+30% G/F, COLOR: BLACK, UL94V-0;
 - CONTACTS: PHOSPHOR BRONZE
 - SHELL: PHOSPHOR BRONZE OR SK7
 - ISOLATED: PHOSPHOR BRONZE OR SK7
 - REAR SHELL: SPCC
- FINISH:
 - CONTACT: GOLD FLASH PLATING ON CONTACT AREA. 100u" MIN. BRIGHT-TIN PLATING ON SOLDER TAIL AREA, 50u" MIN. NICKEL UNDERPLATING OVERALL,
 - SHELL: 100u" MIN. NICKEL UNDERPLATING OVERALL.
 - ISOLATED: SHELL: 100u" MIN. NICKEL PLATED
 - REAR SHELL: 100u" MIN. NICKEL PLATED.
- ELECTRICAL CHARACTERISTICS:

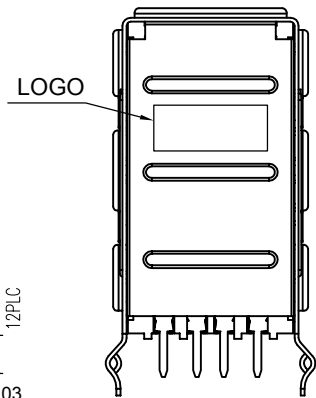
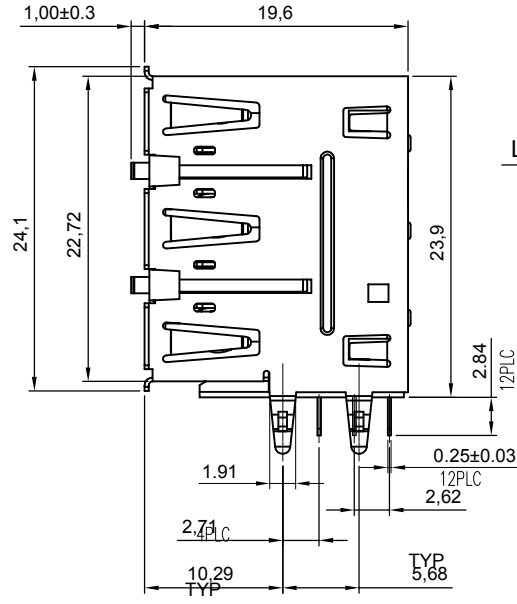
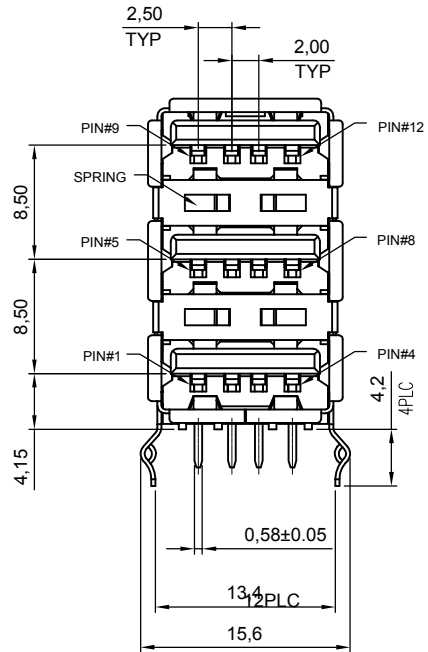
CURRENT RATING: 0.5Amper Maximum
 VOLTAGE: 30V AC.
 CONTACT RETENTION FORCE: 0.7KGF MINIMUM.
 CONTACT RESISTANCE: 30 MILLIOHMS MAXIMUM.
 INSULATION RESISTANCE: 1000MEGOHMS MINIMUM.
 DIELECTRIC WITHSTANDING VOLTAGE: 750V AC AT SEE LEVEL.
 TEMPERATURE: -55°C~85°C.



RECOMMENDED P.C.B LAYOUT
TOLERANCE: ±0.05



MOUNTING PANEL CUTOUT



UNLESS TOLERANCE		DRAW BY	
GENERAL	ANGLE	DESIGN BY	
x. ± 0.30	x.' ± 3.0'	CHECK BY	
.X ± 0.20	.X' ± 2.0'	APPROVE BY	
.XX ± 0.15	.XX' ± 1.0'	SCALE	SHEET
.XXX ± 0.08	.XXX' ± 0.5'	1:1	1/1
		UNIT	MM

CnC Tech, LLC

Part NO.
1001-007-01020

DRW NO: _____ REV: A