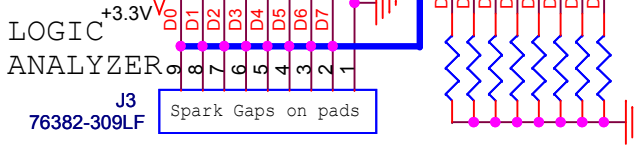
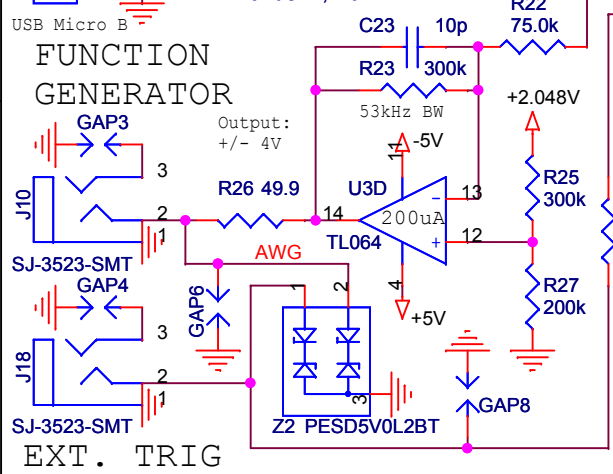
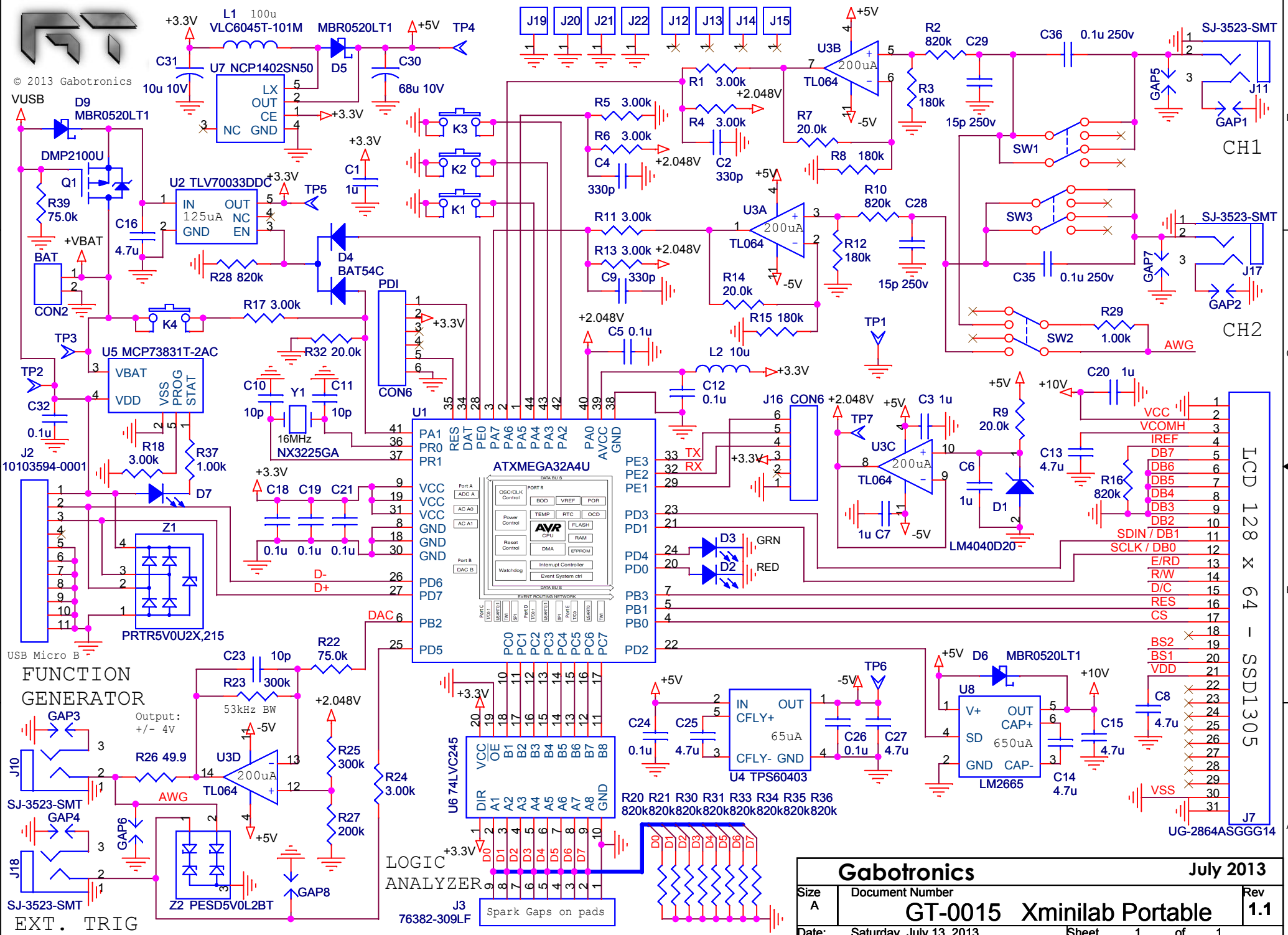




© 2013 Gabotronics



<b>Gabotronics</b>		<b>July 2013</b>
Size A	Document Number <b>GT-0015</b>	Rev <b>1.1</b>
Date: Saturday, July 13, 2013	Sheet 1 of 1	

