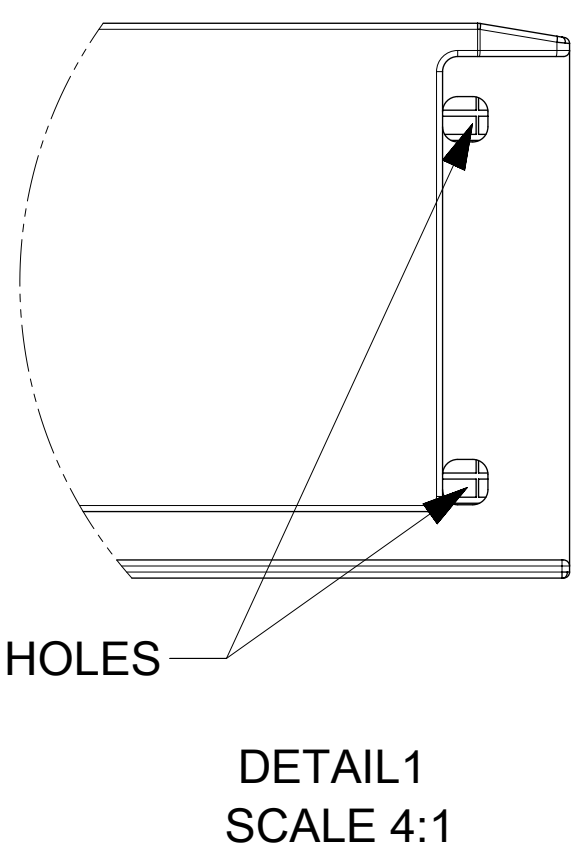
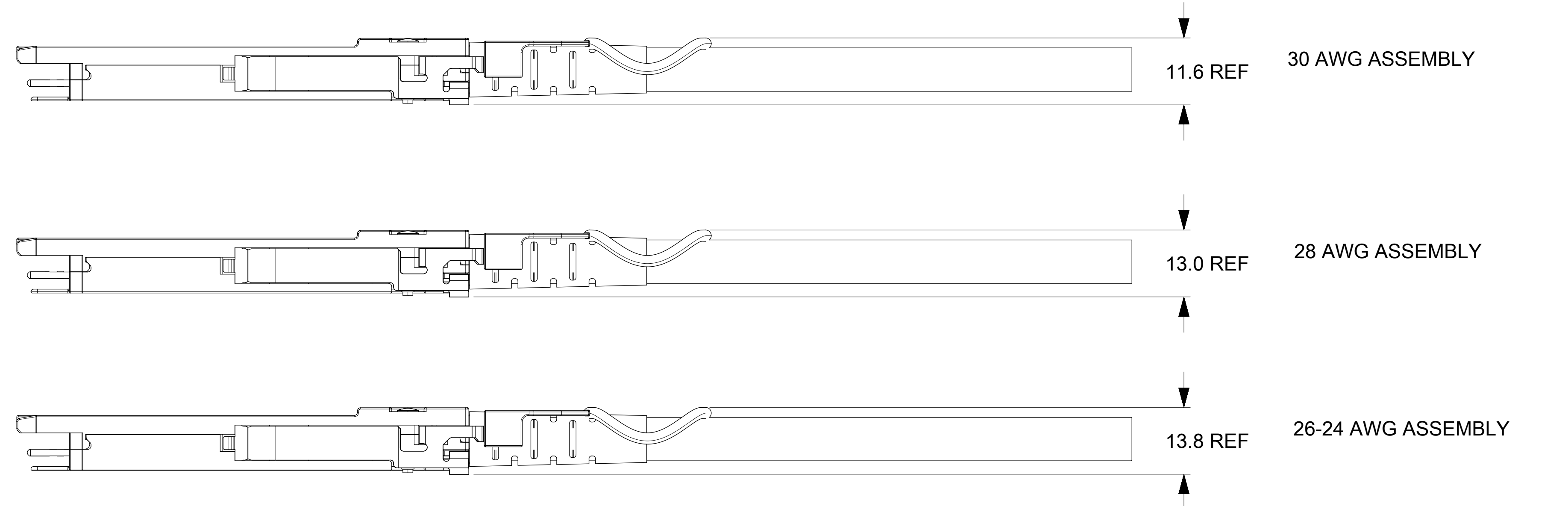


SEE SHEET 3 FOR LABEL DETAIL
(FOR CABLES UNDER 2 METERS LABEL ON ONE END ONLY)



SEE SHEET 3 FOR P/N TABLE

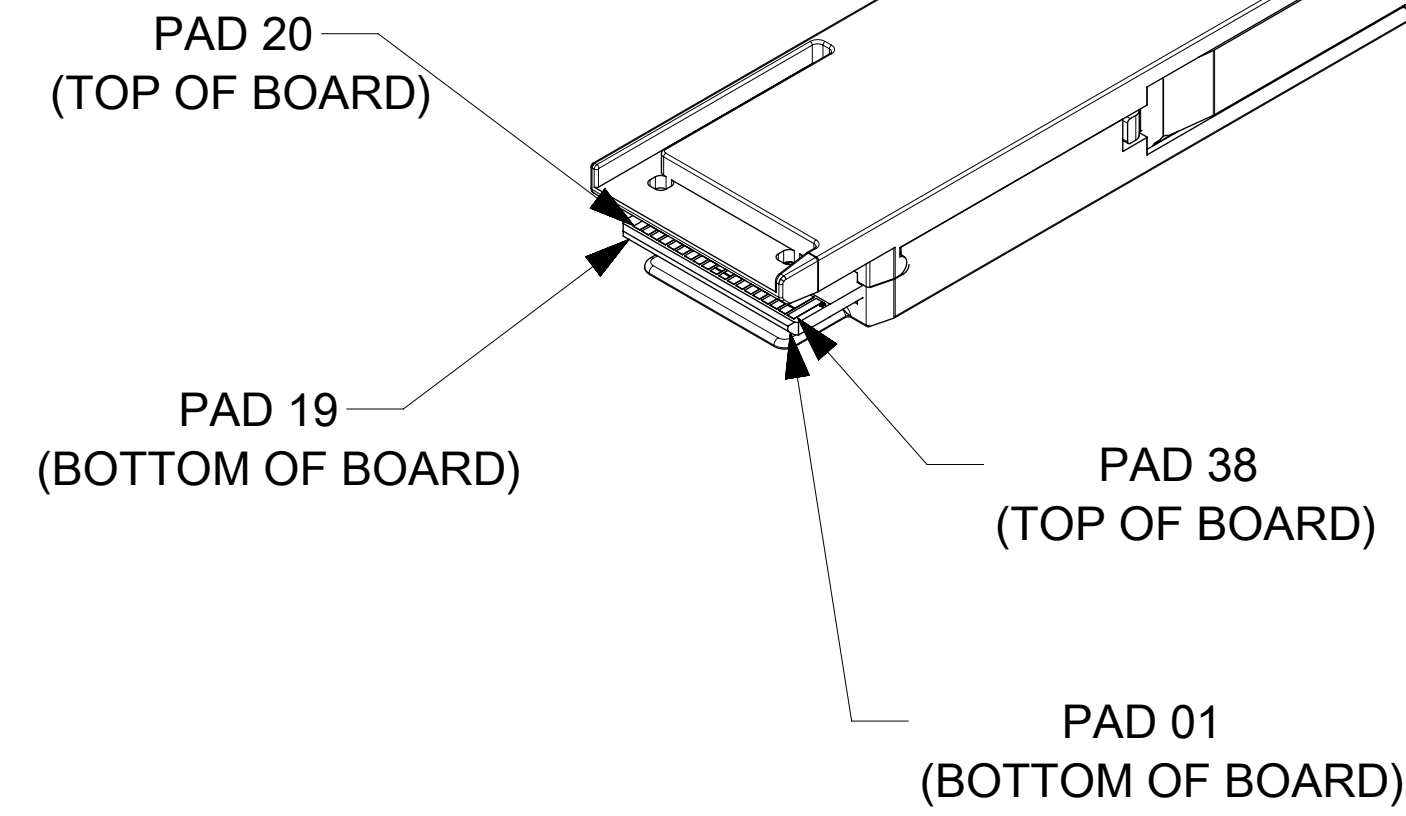
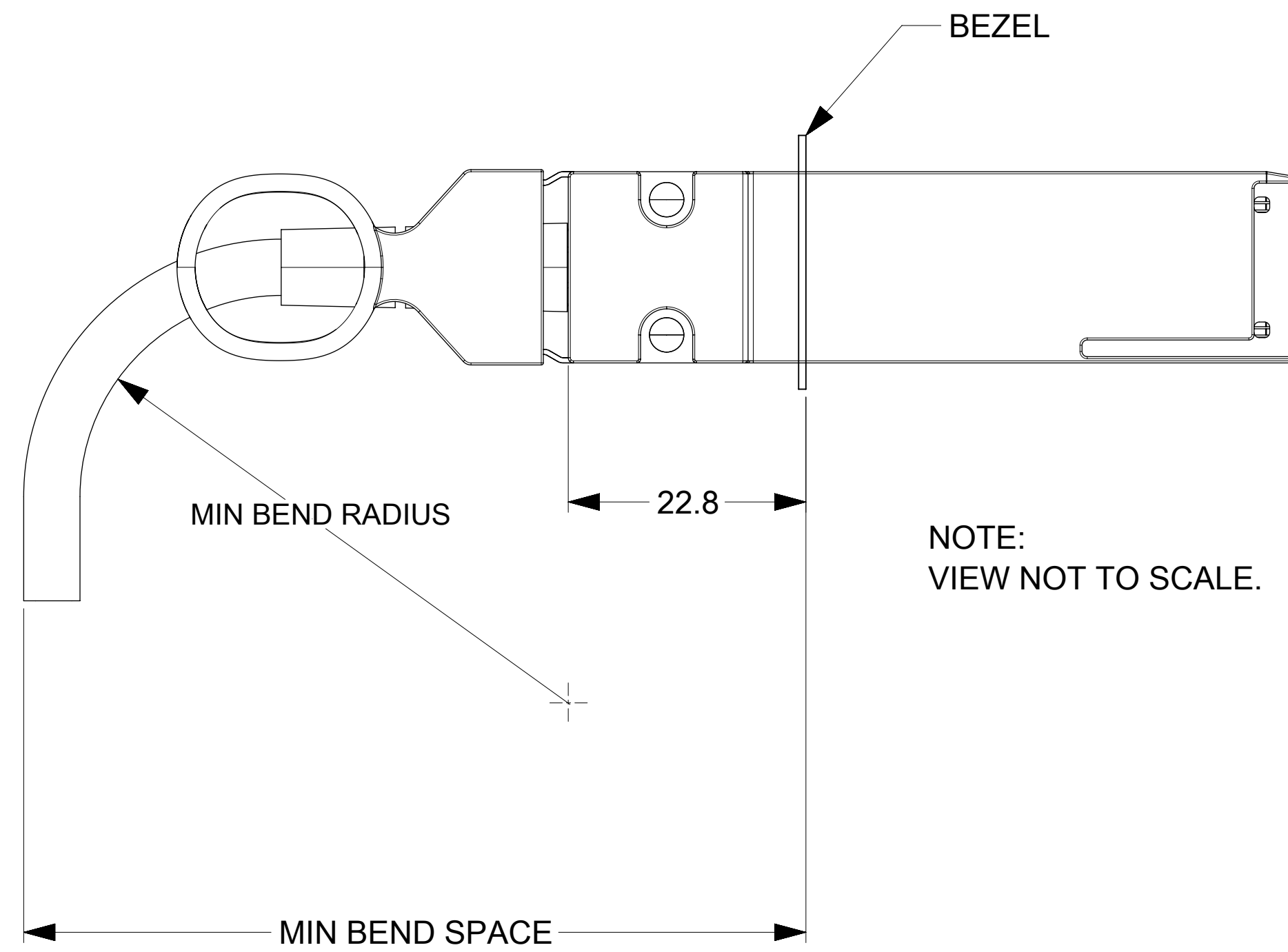
- NOTES:
- CABLE DISTANCE DEPENDS ON WIRE GAUGE, DATA RATE, AND HOST BOARD DRIVER CAPABILITIES
 - MATERIALS:
 BACKSHELLS - ZINC DIE CAST WITH BRIGHT NICKEL PLATING
 DELATCH - STAINLESS STEEL WITH OVERMOLDED NYLON
 PCB - FR4
 RIVETS - STAINLESS STEEL
 - IMPEDANCE - 100 OHMS DIFFERENTIAL
 - RoHS COMPLIANT, NO EXEMPTIONS

THIS DRAWING CONTAINS INFORMATION THAT IS PROPRIETARY TO MOLEX ELECTRONIC TECHNOLOGIES, LLC AND SHOULD NOT BE USED WITHOUT WRITTEN PERMISSION		CURRENT REV DESC: OBSOLETE PART NO			
DIMENSION UNITS	SCALE	EC NO: 611198			
mm	2:1	DRWN: AKUMAR19 2018/12/31		PRODUCT CUSTOMER DRAWING	
GENERAL TOLERANCES (UNLESS SPECIFIED)		CHK'D: GGA 2019/02/28		DOCUMENT NUMBER	
ANGULAR TOL	± 0.5°	APPR: GGA 2019/02/28		1110400001	
4 PLACES	±	INITIAL REVISION:		DOC TYPE	
3 PLACES	±	DRWN: SCHANNARAYAN 2017/08/22		PSD	
2 PLACES	± 0.13	APPR: ARAYBURN 2017/09/06		000	
1 PLACE	± 0.25	DRAFT WHERE APPLICABLE MUST REMAIN WITHIN DIMENSIONS		REVISION	
0 PLACES	±	THIRD ANGLE PROJECTION		Y	
		DRAWING		MATERIAL NUMBER	
		SERIES		CUSTOMER	
		D-SIZE 111040		SEE P/N TABLE	
				GENERAL MARKET	
				SHEET NUMBER	
				1 OF 3	

DOCUMENT STATUS	P1	RELEASE DATE	2019/02/28	12:46:47
-----------------	----	--------------	------------	----------

WIRING DIAGRAM				
P1 END			P2 END	
PAD	SIGNAL		PAD	SIGNAL
01	GND (TX)	----	20	GND (RX)
02	TX2n	---->	21	RX2n
03	TX2p	---->	22	RX2p
04	GND (TX)	----	23	GND (RX)
05	TX4n	---->	24	RX4n
06	TX4p	---->	25	RX4p
07	GND (TX)	----	26	GND (RX)
08	ModSelL	<input type="checkbox"/>	27	ModPrsL
09	ResetL	<input type="checkbox"/>	28	IntL
10	VccRx	<input type="checkbox"/>	29	VccTx
11	SCL	<input type="checkbox"/>	30	Vcc1
12	SDA	<input type="checkbox"/>	31	LPmode
13	GND (RX)	----	32	GND (TX)
14	RX3p	<----	33	TX3p
15	RX3n	<----	34	TX3n
16	GND (RX)	----	35	GND (TX)
17	RX1p	<----	36	TX1p
18	RX1n	<----	37	TX1n
19	GND (RX)	----	38	GND (TX)
20	GND (RX)	----	01	GND (TX)
21	RX2n	<----	02	TX2n
22	RX2p	<----	03	TX2p
23	GND (RX)	----	04	GND (TX)
24	RX4n	<----	05	TX4n
25	RX4p	<----	06	TX4p
26	GND (RX)	----	07	GND (TX)
27	ModPrsL	<input type="checkbox"/>	08	ModSelL
28	IntL	<input type="checkbox"/>	09	ResetL
29	VccTx	<input type="checkbox"/>	10	VccRx
30	Vcc1	NC	11	SCL
31	LPMode	<input type="checkbox"/>	12	SDA
32	GND (TX)	----	13	GND (RX)
33	TX3p	---->	14	RX3p
34	TX3n	---->	15	RX3n
35	GND (TX)	----	16	GND (RX)
36	TX1p	---->	17	RX1p
37	TX1n	---->	18	RX1n
38	GND (TX)	----	19	GND (RX)

LEGEND:
 ---- = THRU LINES
 ----> = TRANSMIT TO RECEIVE ON HIGH SPEED CIRCUITS
 C = COMMON GROUND CONNECTION
 NC = NOT CONNECTED
 = CONNECTION TO A DEVICE ON THE PCB



CABLE BEND RADIUS

CABLE AWG	MIN BEND RADIUS (mm)	MIN BEND SPACE (mm)
24	51	84
26	44	76
28	39	70
30	33	62

- NOTES:
 1. DC BLOCKING CAPS ON RECEIVE SIDE ONLY
 2. CABLE COILED AND PACKAGED IN BEST FIT ESD BAG AND SEALED WITH ESD LABEL FOR SHIPPING

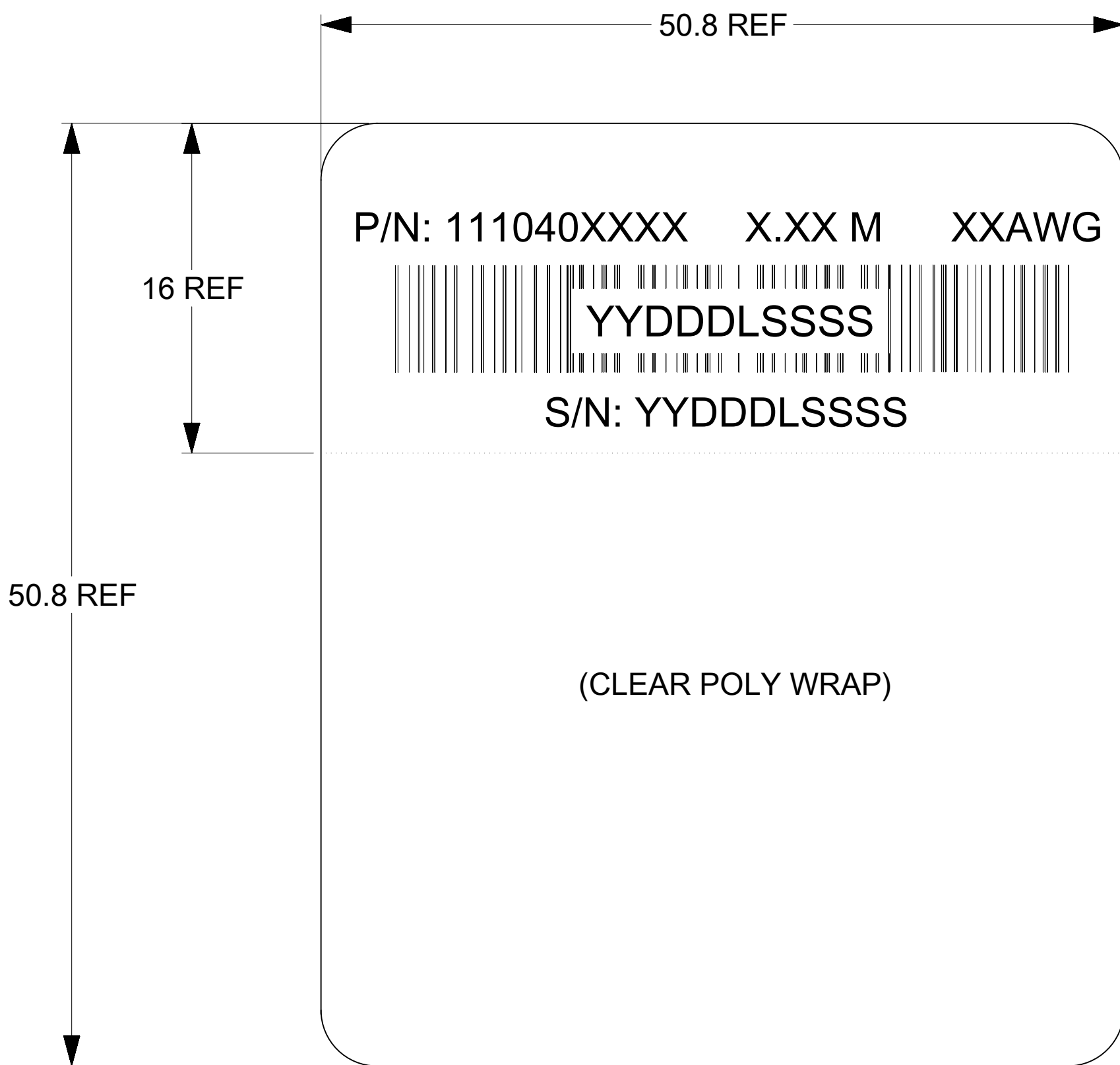
THIS DRAWING CONTAINS INFORMATION THAT IS PROPRIETARY TO MOLEX ELECTRONIC TECHNOLOGIES, LLC AND SHOULD NOT BE USED WITHOUT WRITTEN PERMISSION											
DIMENSION UNITS mm		SCALE 2:1		CURRENT REV DESC: OBSOLETE PART NO							
GENERAL TOLERANCES (UNLESS SPECIFIED)				molex QSFP+ COPPER PATCH CABLE ASSEMBLY CABLE ASSEMBLY PRODUCT CUSTOMER DRAWING							
ANGULAR TOL		± 0.5°									
4 PLACES		±									
3 PLACES		±									
2 PLACES		± 0.13									
1 PLACE		± 0.25		EC NO: 611198 DRWN: AKUMAR19 2018/12/31 CHK'D: GGA 2019/02/28 APPR: GGA 2019/02/28				1110400001 PSD 000 Y			
0 PLACES		±		INITIAL REVISION: DRWN: SCHANNARAYAN 2017/08/22 APPR: ARAYBURN 2017/09/06				111040 SEE P/N TABLE			
DRAFT WHERE APPLICABLE MUST REMAIN WITHIN DIMENSIONS				THIRD ANGLE PROJECTION		DRAWING		SERIES		MATERIAL NUMBER	
						D-SIZE		111040		CUSTOMER	
								GENERAL MARKET		SHEET NUMBER	
										2 OF 3	

CABLE LABEL DETAILS

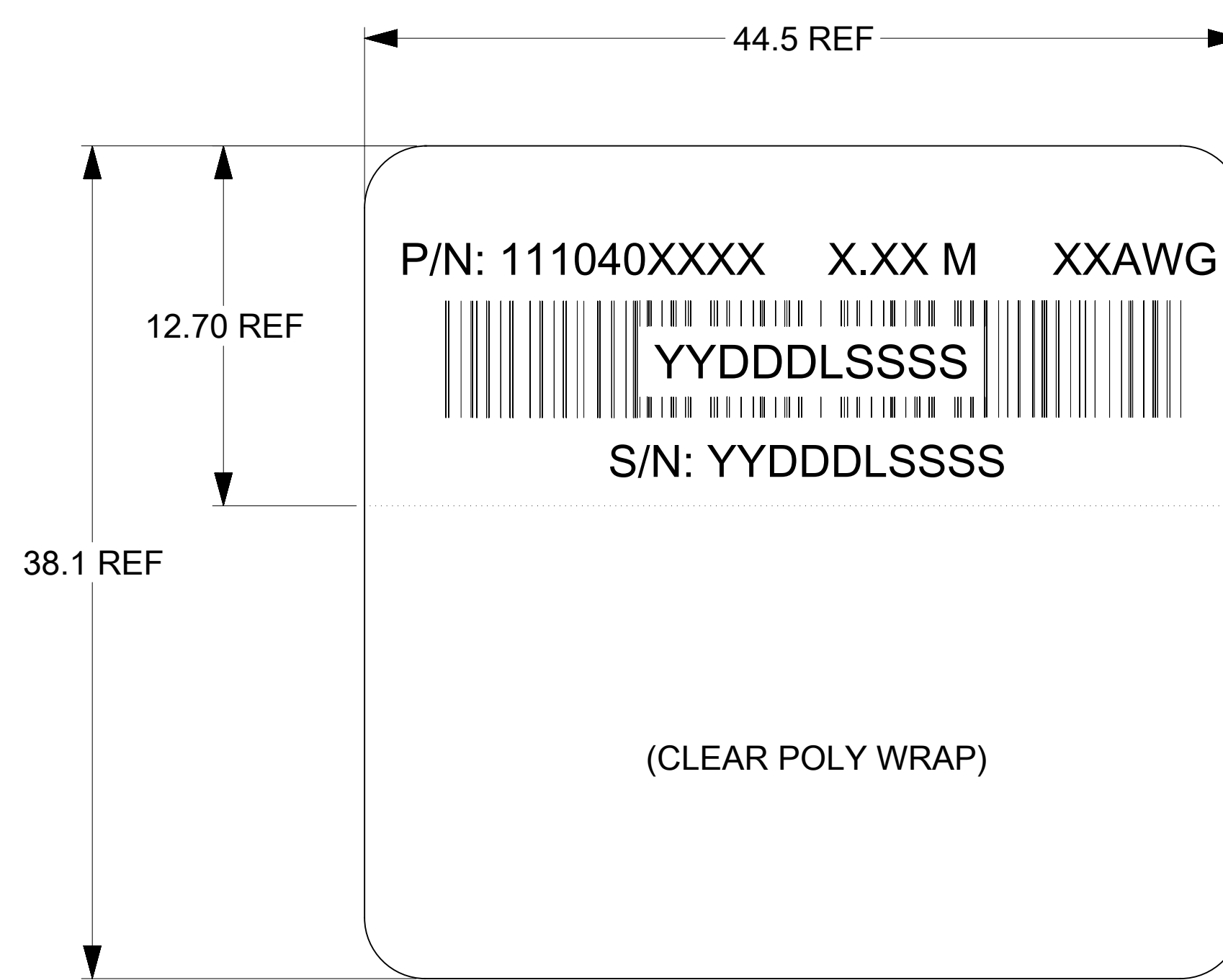
PART NUMBER TABLE

MOLEX PN	LENGTH (M)	LENGTH TOLERANCE (mm)	AWG
1110401054	0.5	±30	30
1110401104	1.0	±50	30
1110401154	1.5	±50	30
1110401204	2.0	±50	30
1110401254	2.5	±50	30
1110401304	3.0	±50	30
1110401404	4.0	±50	30
1110401504	5.0	±80	30
1110402304	3.0	±50	28
1110403304	3.0	±50	26
1110409011	10.0	±80	28
1110409012	10.0	±80	26
1110409018	15.0	±80	24

CABEL LABEL FOR 24 AND 26 AWG CABLE ASSEMBLY



CABEL LABEL FOR 28 AND 30 AWG CABLE ASSEMBLY



P/N: 111040XXXX - MOLEX PART NUMBER (SEE P/N TABLE)

X.XX M - CABLE LENGTH IN METERS (EXAMPLES - 0.5M, 1.0M, 1.5M)

XXAWG - CABLE SIZE IN AWG

S/N: YYDDDLSSSS - SERIAL NUMBER

YY = YEAR, THE LAST TWO DIGITS OF THE YEAR

DDD = DAY OF THE YEAR

L = LOCATION

1 - USA

2 - MEXICO

3 - CHINA

4 - PHILIPPINES

SSSS = SERIAL NUMBER (0001-9999)

THIS DRAWING CONTAINS INFORMATION THAT IS PROPRIETARY TO MOLEX ELECTRONIC TECHNOLOGIES, LLC AND SHOULD NOT BE USED WITHOUT WRITTEN PERMISSION											
DIMENSION UNITS mm		SCALE 2:1		CURRENT REV DESC: OBSOLETE PART NO						molex	
GENERAL TOLERANCES (UNLESS SPECIFIED)				EC NO: 611198							
ANGULAR TOL ± 0.5°		4 PLACES ±		DRWN: AKUMAR19		2018/12/31		QSFP+ COPPER PATCH CABLE ASSEMBLY CABLE ASSEMBLY			
3 PLACES ±		2 PLACES ± 0.13		CHK'D: GGA		2019/02/28		PRODUCT CUSTOMER DRAWING			
1 PLACE ± 0.25		0 PLACES ±		APPR: GGA		2019/02/28		DOCUMENT NUMBER			
DRAFT WHERE APPLICABLE MUST REMAIN WITHIN DIMENSIONS		THIRD ANGLE PROJECTION		DRAWING		SERIES		MATERIAL NUMBER		CUSTOMER	
		D-SIZE		111040		SEE P/N TABLE		GENERAL MARKET		SHEET NUMBER	
								1110400001		PSD 000 Y	
DOCUMENT STATUS		P1		RELEASE DATE		2019/02/28 12:46:47					