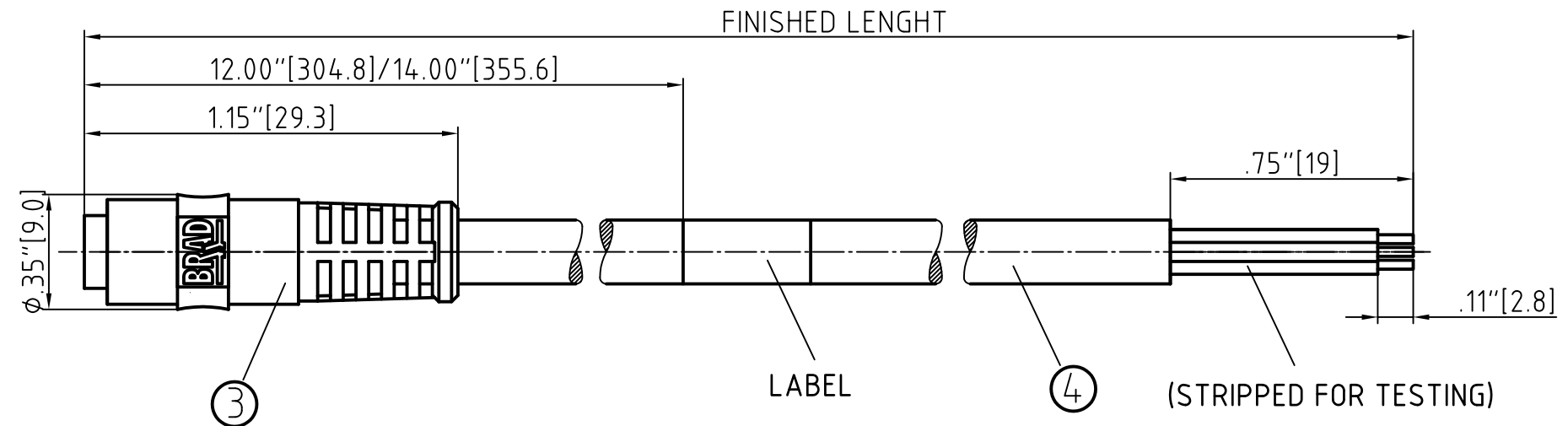
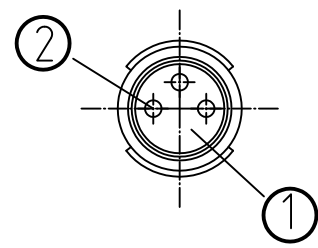


FACE VIEW



FEMALE FACE VIEW	
3-POLE	4-POLE
1 BROWN 3 BLUE 4 BLACK	1 BROWN 2 WHITE 3 BLUE 4 BLACK

POLE	MATERIAL NUMBER	ENGINEERING NUMBER	FINISHED LENGHT IN/MM
3	1200880022	503000A10M020	6.56' +3.50" -0 [2.0M +88.9 -0]
3	1200880026	503000A10M050	16.40' +6.50" -0 [5.0M +165.1 -0]
3	1200880027	503000A10M100	32.81' +12.50" -0 [10.0M +317.5 -0]
4	1200880047	504000A10M020	6.56' +3.50" -0 [2.0M +88.9 -0]
4	1200880050	504000A10M050	16.40' +6.50" -0 [5.0M +165.1 -0]
4	1200880052	504000A10M100	32.81' +12.50" -0 [10.0M +317.5 -0]

CONNECTOR SPECIFICATION:	
VOLTAGE RATING	3-4POL:60V/AC 75V/DC
AMPERAGE RATING	3 AMPS
PROTECTION	IP65
OPERATING TEMPERATURE	-20°C TO +105°C
UL CERTIFICATIONS	UL listed, File #E152210
CSA CERTIFICATIONS	CSA CERTIFIED, File LR6837

ITEM	COMPONENT	MATERIAL	FINISH
1	INSERT	POLYURETHANE (PUR)	BLACK
2	CONTACT SOCKET	COPPER ALLOY	GOLD OVER NICKEL
3	OVERMOLD	TPE	YELLOW
4	CABLE- 24 AWG, (COPPER STRANDING) 3/4 CONDUCT. 300V	JACKET: PVC	YELLOW

DESCRIPTION EC NO: WEU2010-0300 DRWN: REISSNER 2010/01/25 CHKD: FP APPR: NSTAUDIG 2010/01/29	QUALITY SYMBOLS ▽ = 0 ▽ = 0	GENERAL TOLERANCES (UNLESS SPECIFIED) mm INCH 4 PLACES ± --- ± --- 3 PLACES ± --- ± --- 2 PLACES ± --- ± .01 1 PLACE ± 0.3 ± --- ANGULAR ± --- °	DIMENSION STYLE IN/MM DRAWN BY DATE REISSNER 2010/01/25 CHECKED BY DATE FP 2010/01/21 APPROVED BY DATE NSTAUDIG 2010/01/28	SCALE 2:1 DESIGN UNITS METRIC THIRD ANGLE PROJECTION
	DRAFT WHERE APPLICABLE MUST REMAIN WITHIN DIMENSIONS		SEE TABLE	NC 3/4P FE STR SNAP 24AWG PVC
	SIZE A3		THIS DRAWING CONTAINS INFORMATION THAT IS PROPRIETARY TO MOLEX INCORPORATED AND SHOULD NOT BE USED WITHOUT WRITTEN PERMISSION	
	MOLEX INCORPORATED SD-120088-004		SHEET NO. 1	