

4

3

2

1

THIS DRAWING IS UNPUBLISHED.

RELEASED FOR PUBLICATION

,19 .

© COPYRIGHT 19

BY AMP INCORPORATED. ALL RIGHTS RESERVED.

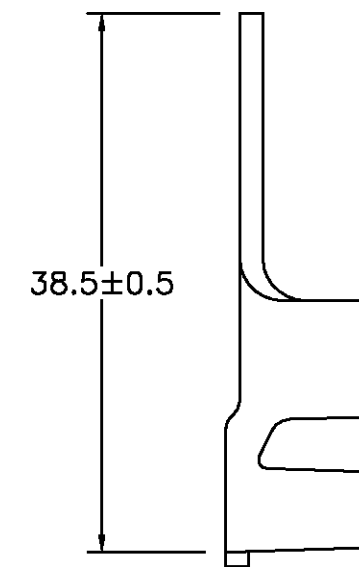
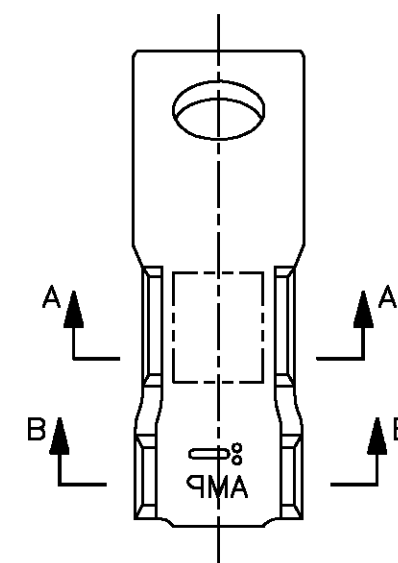
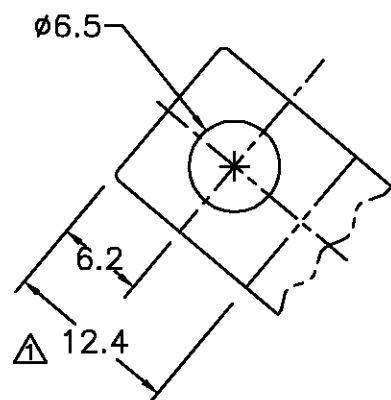
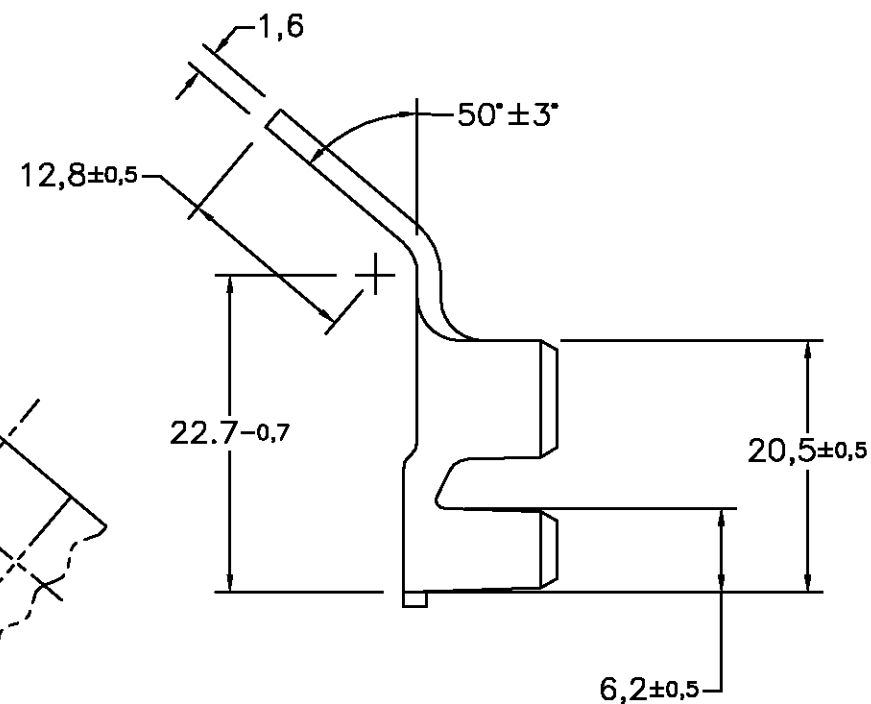
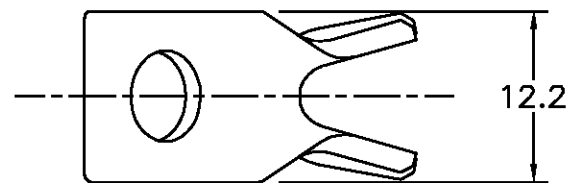
CAD
DO NOT REVISE
EXCEPT BY CAD

LOC
AP

DIST
-

REVISIONS

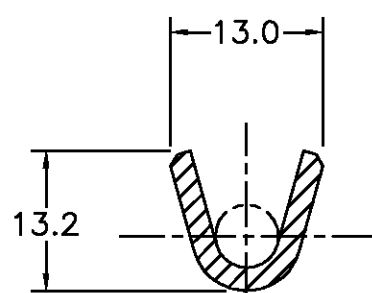
P	LTR	DESCRIPTION	DATE	DWN	APVD
F		REVISED BY EC LE10-0463-04	30DEC04	MAS	PLF



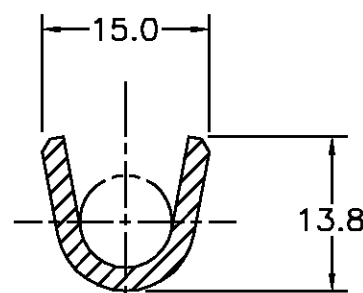
Ⓣ APENAS PARA -2 FOR -2 ONLY

⚠ - ÁREA PLANA MIN.

⚠ - FLAT AREA MIN.



SECTION A-A



SECTION B-B

ESTANHADO / TIN PLATED	LATÃO / BRASS	1380258-2
ESTANHADO / TIN PLATED	LATÃO / BRASS	1380258-1
FINISH	MATERIAL	PART NUMBER

WIRE RANGE (mm²) 16,0 - 20,0 INSUL RANGE (Ø MIN) 8,8 - 9,0

THIS DRAWING IS A CONTROLLED DOCUMENT.

DIMENSIONS: MM TOLERANCES UNLESS OTHERWISE SPECIFIED:

0 PLC	± -
1 PLC	± 0,3
2 PLC	± -
3 PLC	± -
4 PLC	± -
ANGLES	± 1°

MATERIAL SEE TABLE

FINISH SEE TABLE

DWN M.R.BRIZ 03JUL01

CHK P.L.FARIA 03JUL01

APVD J.MARSON 03JUL01

PRODUCT SPEC

APPLICATION SPEC

WEIGHT -

CUSTOMER DRAWING

AMP AMP do BRASIL LTDA. São Paulo, Brasil

NAME
-
TERMINAL RING TONGUE
-

SIZE A3 CAGE CODE 00779 DRAWING NO C-1380258 RESTRICTED TO -

SCALE 2:1 SHEET 1 OF 1 REV F