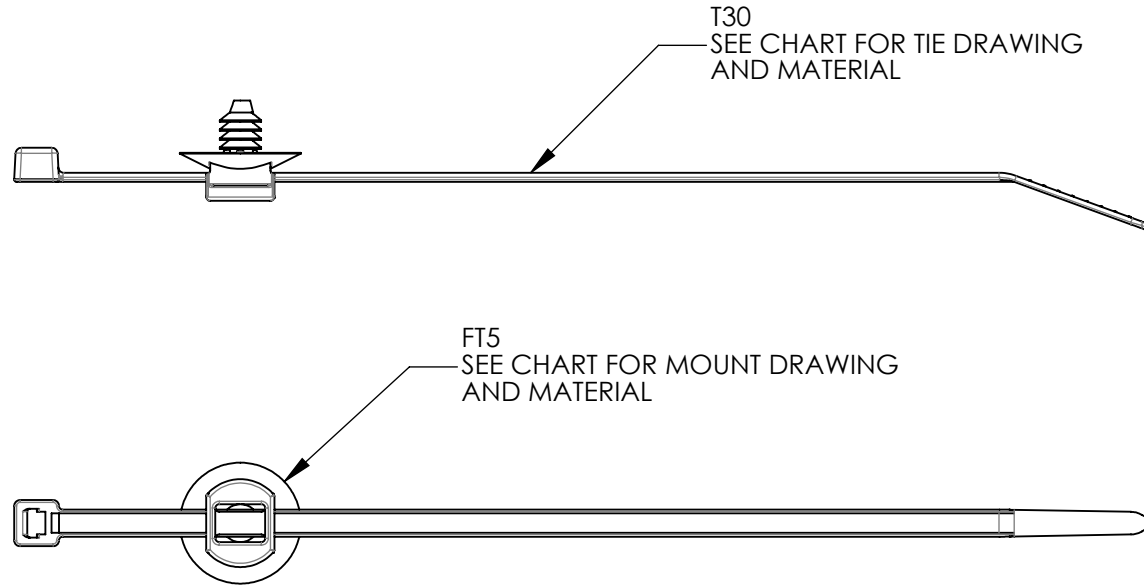


Revision level		Revision Record	Changed	Date	Approved	Date
Part	Drawing					
-	02.1	See ECN 015975	CTF	06/24/2020	GAL	06/24/2020



<b>SEE CHART</b>
Material
Dimension tolerances unless otherwise specified
.xxxx = ±.013
.xxx = ±.13
.xx = ±.3
.x = ±.8
∠ = ±0.5°
Dimension Units millimeters
PERFORMANCE SPECIFICATION

TYPE	BUNDLE RANGE (mm)	CABLE TIE			FIR TREE MOUNT		
		DRAWING	MATERIAL	COLOR	DRAWING	MATERIAL	COLOR
T30RFT5-PA66HS/PA66HIRHS-BK	5 to 35	11-0341-001-CSU	PA66HS	BLACK	14.1191	PA66HIRHS	BLACK

<b>SW</b>		Drawn AAC 09/09/2010	Scale 1:1	Computer File Number CT2030016CST_01
<b>ALL PROPRIETARY RIGHTS IN THE SUBJECT MATTER SHOWN ON THIS DRAWING ARE EXCLUSIVE PROPERTY OF HELLERMANNNTYTON</b>		Approved KAC 09/09/2010	<b>Title</b> <b>T30RFT5</b> <b>T30 STANDARD CABLE TIE WITH FT5 MOUNT</b>	
		<b>HellermannTyton®</b> <i>Cable Management Products</i> 7930 N. Faulkner Rd. Milwaukee, WI 53224 Ph: (414) 355-1130 Fx: (414) 362-8342		
			<b>Drawing-No</b> <b>CT2030016CST</b>	<b>Format</b> <b>AH</b> <b>Sheet 1 of 1</b>