

Electronic housing - EG 90-A/ABS GN - 2764399

Please be informed that the data shown in this PDF Document is generated from our Online Catalog. Please find the complete data in the user's documentation. Our General Terms of Use for Downloads are valid (<http://phoenixcontact.com/download>)

Component housing, length: 75 mm, Upper part, color: green, width: 90 mm, height: 17.5 mm



The figure shows a fully mounted version of the electronic housing

Your advantages

- ✓ Tool-free mounting
- ✓ Optimum accommodation of electronic components with graded pitches with a design width of 22.5 mm, 45 mm, 67.5 mm, and 90 mm
- ✓ Functional and industry-oriented housing technology
- ✓ Fast snap-on mounting on symmetrical DIN rails according to EN 60715
- ✓ Date of manufacture and material and part identification embossed on the housing (recyclability)
- ✓ Practical and easy-to-wire conductor connection using extra finely stranded sturdy screw terminal blocks up to 2.5 mm²
- ✓ Shock and contamination-proof accommodation of electronic components (IP40 housing, IP20 terminal blocks)



Key Commercial Data

Packing unit	10 pc
GTIN	
GTIN	4017918065980

Technical data

General

Housing type	Component housing
Housing material	ABS
Color (RAL)	green

Ambient conditions

Ambient temperature (operation)	80 °C
---------------------------------	-------

Dimensions

Length	75 mm
--------	-------

Electronic housing - EG 90-A/ABS GN - 2764399

Technical data

Dimensions

Height	17.5 mm
Width	90 mm
Depth	75 mm

Technical data

Number of positions	34
---------------------	----

Standards and Regulations

Flammability rating according to UL 94	HB
--	----

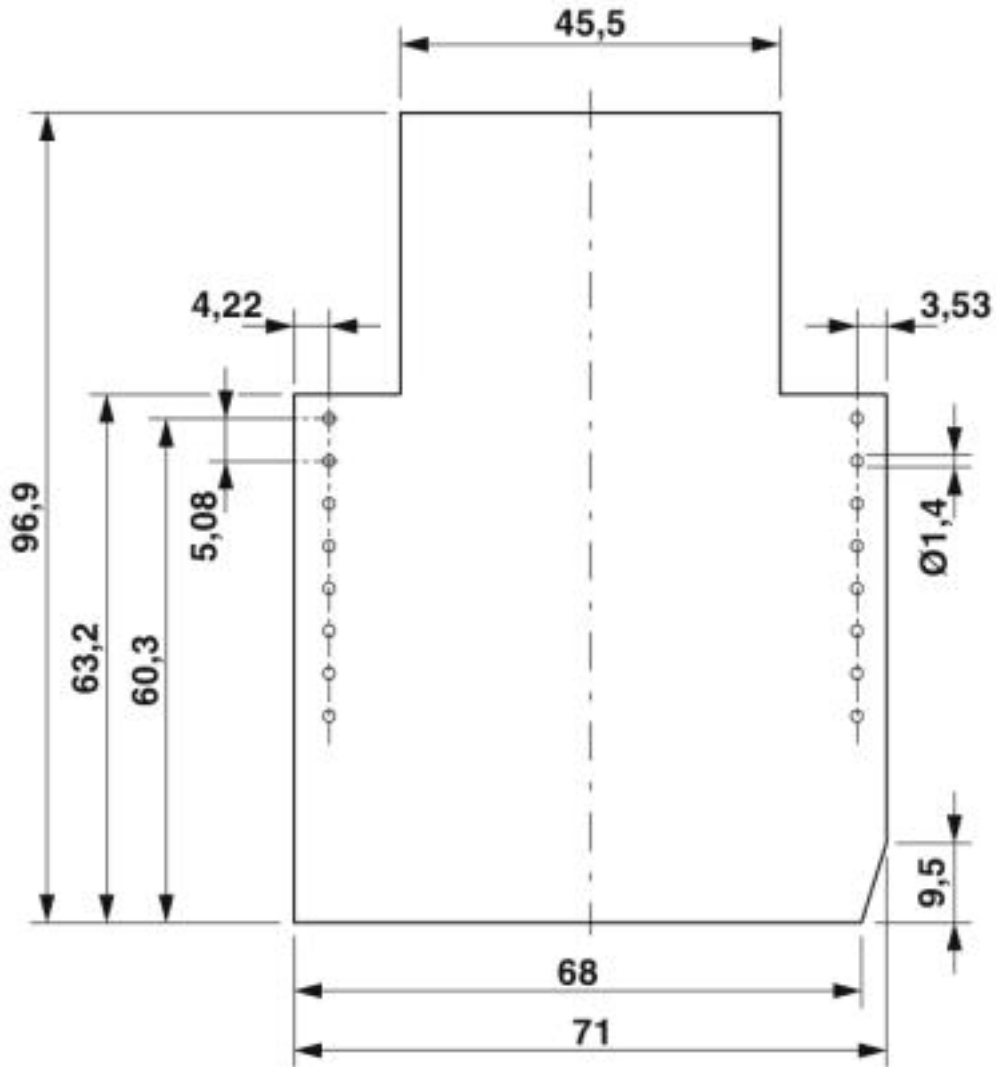
Environmental Product Compliance

China RoHS	Environmentally friendly use period: unlimited = EFUP-e
	No hazardous substances above threshold values

Drawings

Electronic housing - EG 90-A/ABS GN - 2764399

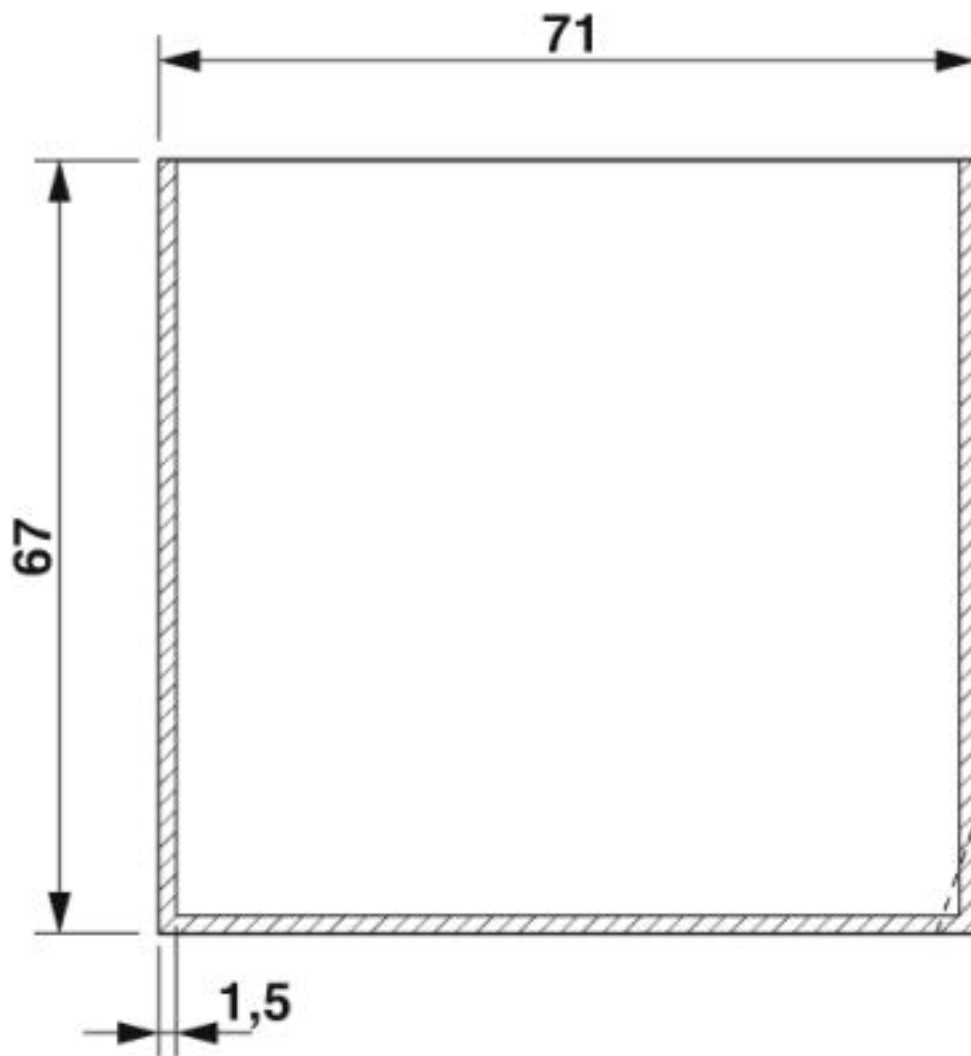
Dimensional drawing



Component mounting side, if the double-level upper part is used

Electronic housing - EG 90-A/ABS GN - 2764399

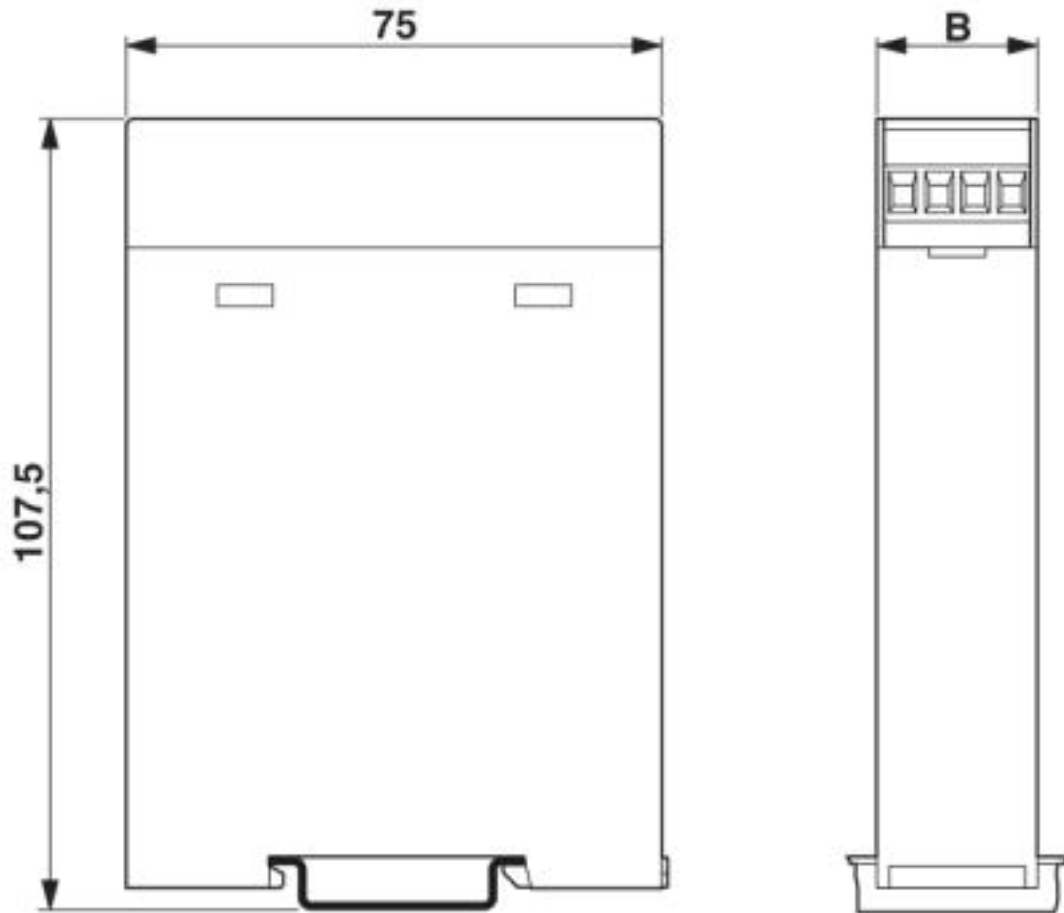
Dimensional drawing



valid for PCB 7; 8; 11 and 12, see explosion drawing

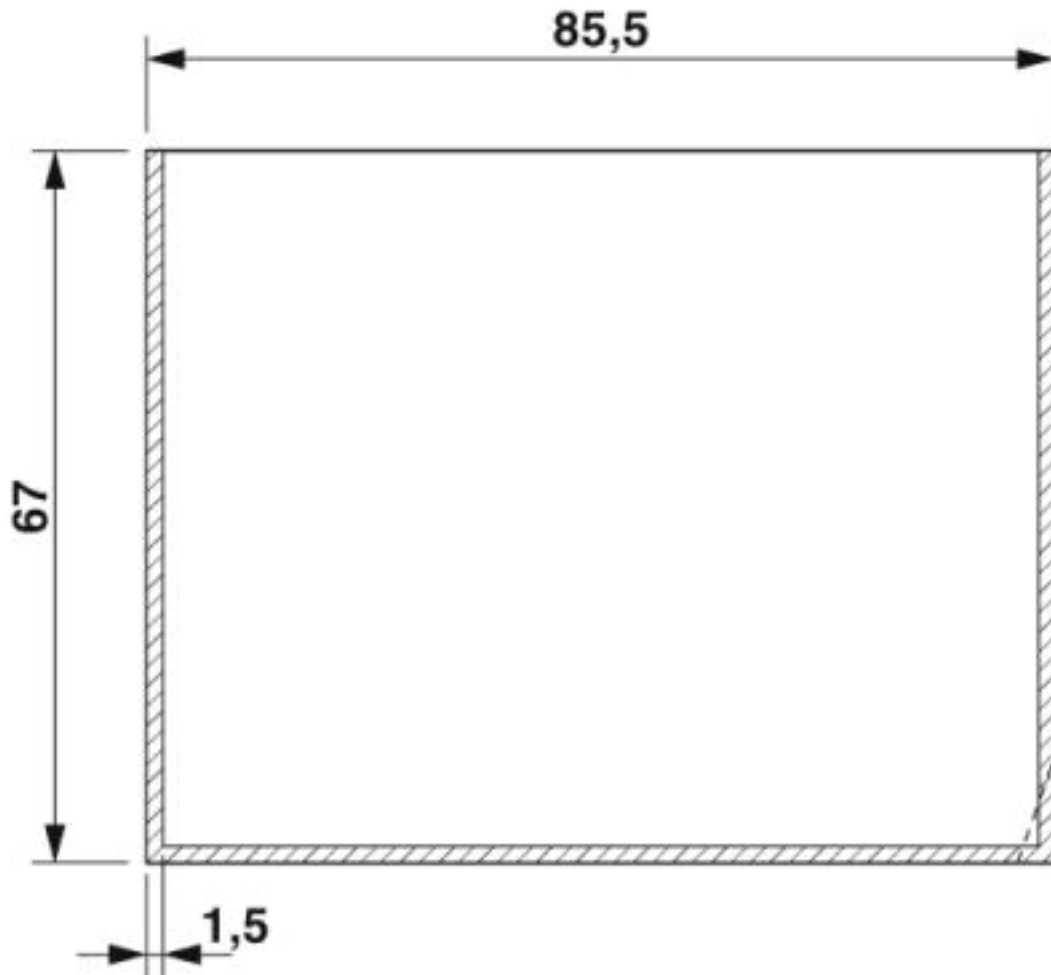
Electronic housing - EG 90-A/ABS GN - 2764399

Dimensional drawing



Electronic housing - EG 90-A/ABS GN - 2764399

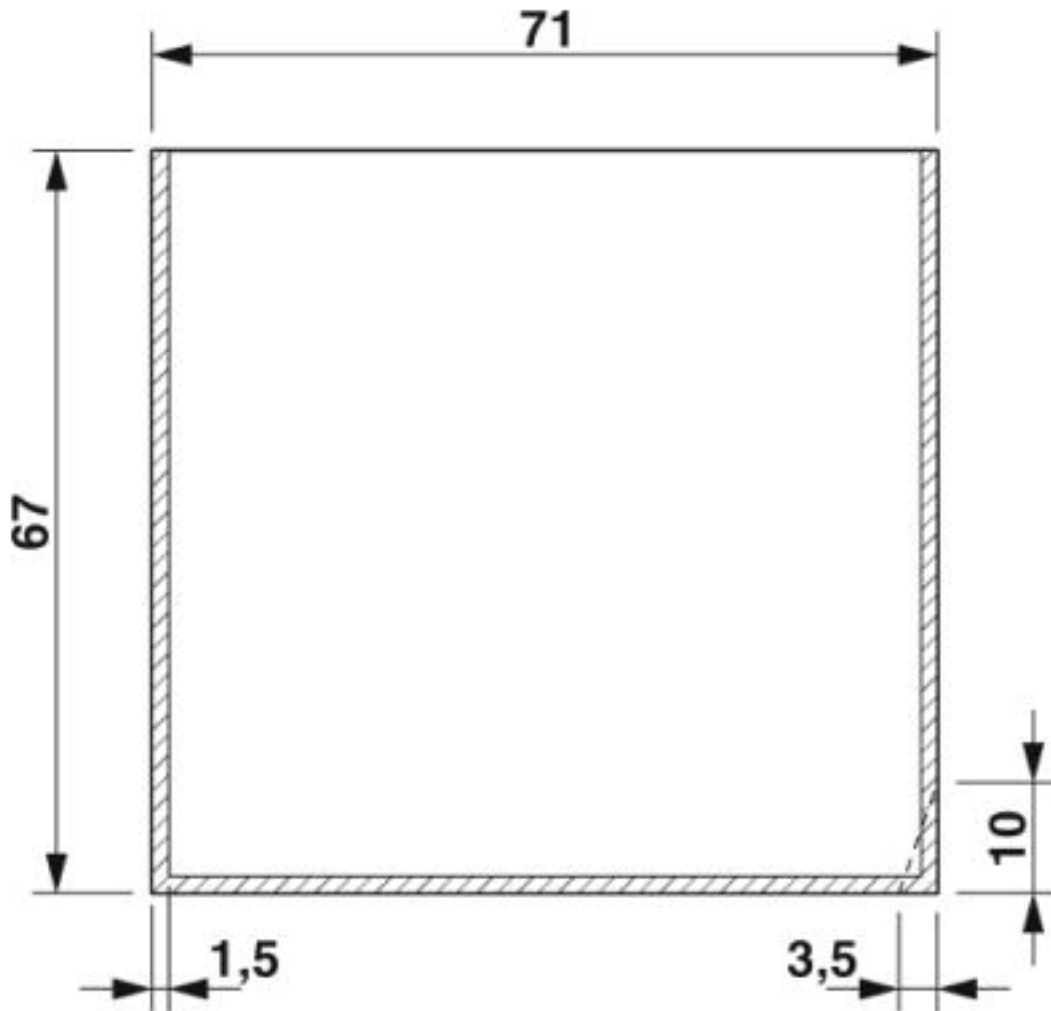
Dimensional drawing



valid for PCB 1; 2; 3; 4; 5 und 6, see explosion drawing

Electronic housing - EG 90-A/ABS GN - 2764399

Dimensional drawing



valid for PCB 9 and 10, see explosion drawing

Approvals

Approvals

Approvals

UL Recognized / EAC


Ex Approvals

Approval details

Electronic housing - EG 90-A/ABS GN - 2764399

Approvals

UL Recognized		http://database.ul.com/cgi-bin/XYV/template/LISEXT/1FRAME/index.htm	FILE E 240868
---------------	---	---	---------------

EAC			B.01742
-----	---	--	---------

Phoenix Contact 2019 © - all rights reserved
<http://www.phoenixcontact.com>

PHOENIX CONTACT GmbH & Co. KG
Flachmarktstr. 8
32825 Blomberg
Germany
Tel. +49 5235 300
Fax +49 5235 3 41200
<http://www.phoenixcontact.com>