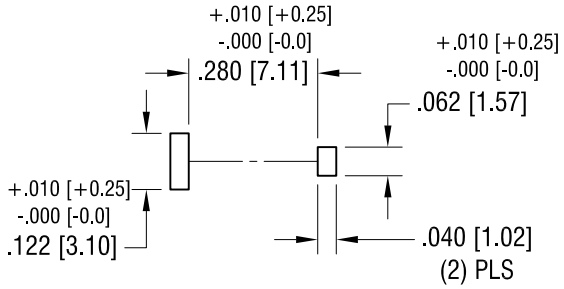
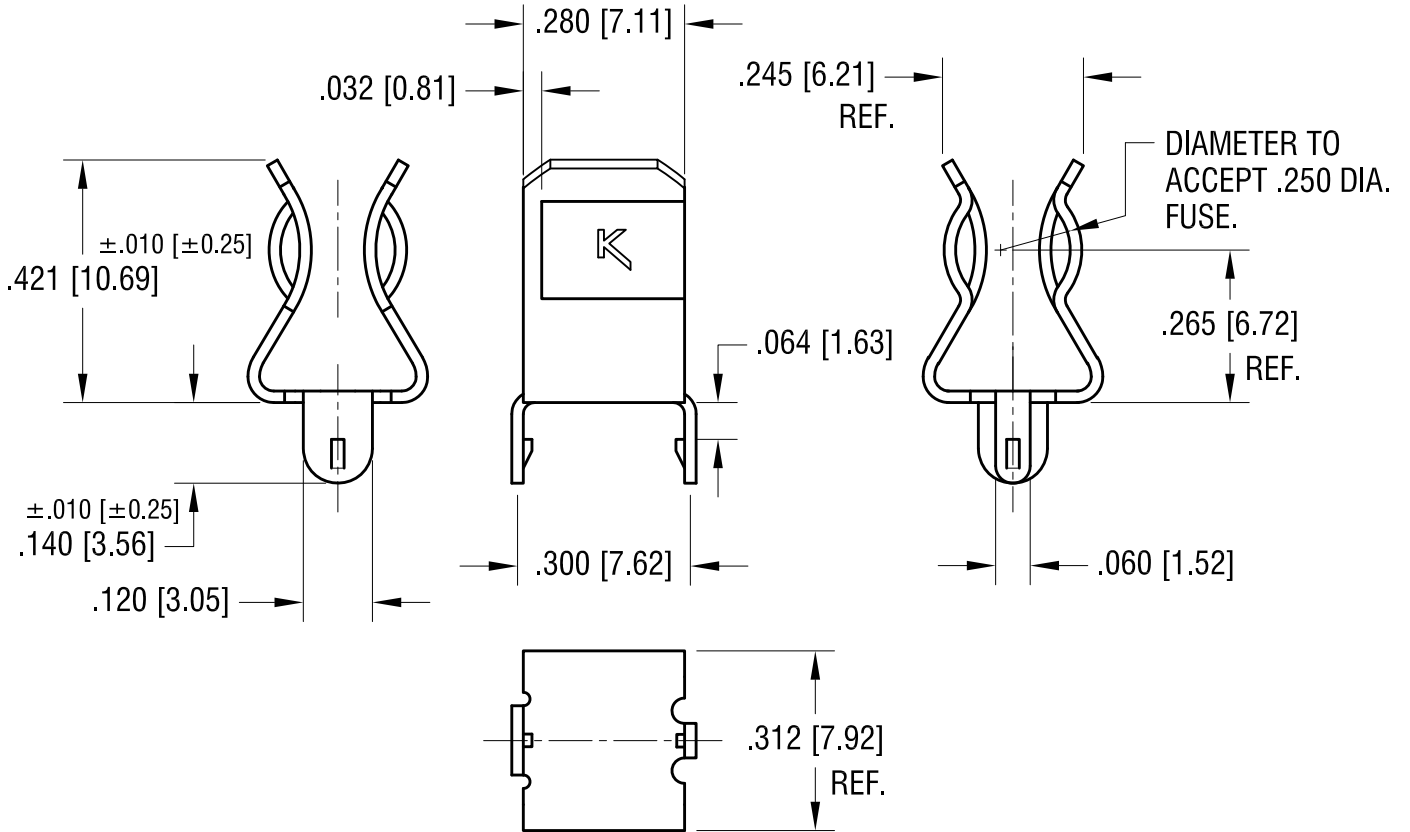
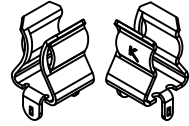


RECOMMENDED MOUNTING LAYOUT



THIS DOCUMENT IS THE PROPERTY OF KEYSTONE ELECTRONICS CORP. AND SHALL NOT BE REPRODUCED, DISTRIBUTED OR USED AS A BASIS FOR MANUFACTURE WITHOUT PRIOR WRITTEN PERMISSION FROM KEYSTONE ELECTRONICS CORP.

ACTUAL SIZE



KEY FILE NUMBER: E354010

12.16.15	CHANGE AS PER ECN 12-144	C
9.06.12	CHANGE AS PER ECN 12-130	B
6.04.09	CHANGE AS PER ECN 09-047	A
DATE	DESCRIPTION	REV.

KEYSTONE ELECTRONICS CORP.			
www.keyelco.com • NEW HYDE PARK NY 11040 • Tel (516)328-7500			
PART NAME 3AG SNAP-IN PC FUSE HOLDER			
MATERIAL .020 [0.50] TH'K BRASS			
FINISH MATTE TIN PLATE		DRN BY BOONE	DATE 4.09.02
		APP'D MR	SCALE 3X
TOLERANCES	INCH [MM]	CODE	DWG NO.
DECIMAL	± .005 [± 0.13]	C	3516P
ANGULAR	± 1°		
UNLESS OTHERWISE SPECIFIED			