

GUIDE PROFILE

Polytetrafluoroethylene based (PTFE) technopolymer, natural colour.

BRACKET

AISI 304 stainless steel.

FEATURES AND APPLICATIONS

GLP-HT side guide is used for the side guide of products with different dimensions on conveyor belts (Fig.1), in environments with high temperature, such as ovens, fryers, steam chambers. It can also be used as a support for metal meshes inside ovens (Fig. 2)
Supplied in bars of 3 meters length.

ACCESSORIES ON REQUEST

Guide rail clamps MPG-T-S, MPG-2T, MPG-T.



Fig.1

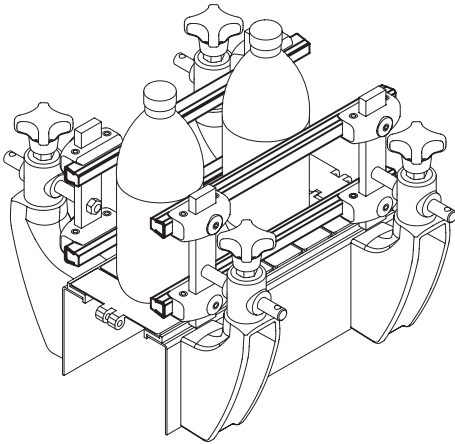
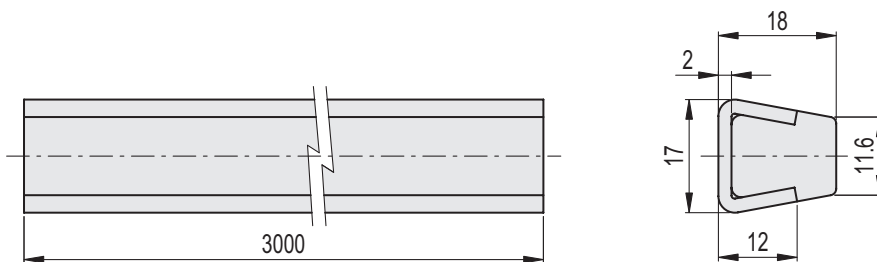
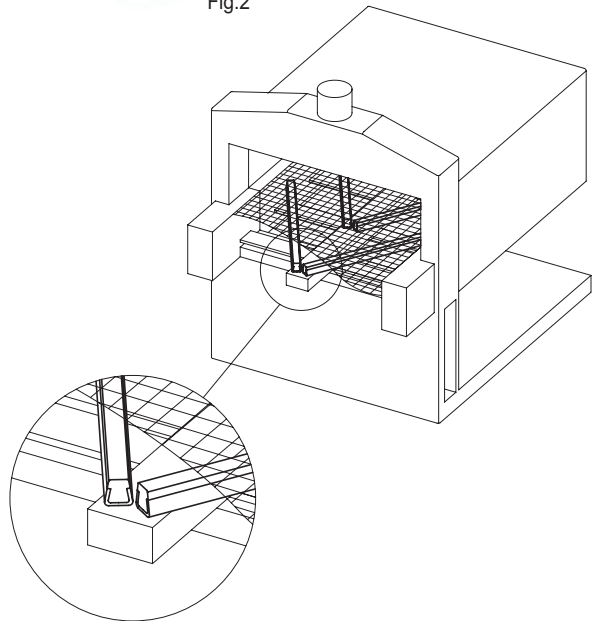


Fig.2



INOX STAINLESS STEEL METRIC

Code	Description	⚖
419207	GLP-HT-12-3000	2880

- 1
- 2
- 3
- 4
- 5
- 6
- 7
- 8
- 9
- 10
- 11
- 12
- 13
- 14
- 15
- 16
- 17
- 18

Leveling elements and supports