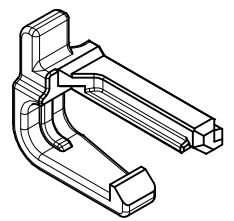
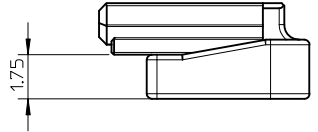
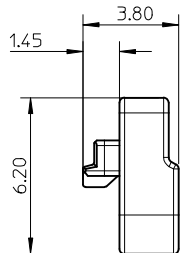
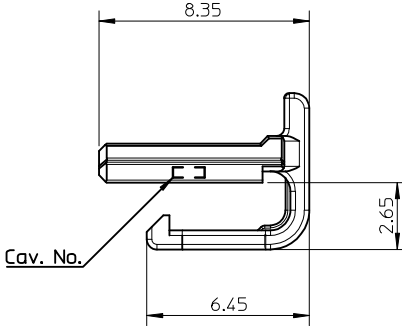
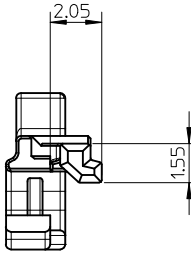


GENERAL TOLERANCE										USED ON
10 MAX	30 MAX	50 MAX	70 MAX	100 MAX	120 MAX	250 MAX	250 OVR	ANGLE	ECCENT	
±0.15	±0.20	±0.30	±0.40	±0.50	±0.75	±0.90	±1.4	±0.5°	0.1	

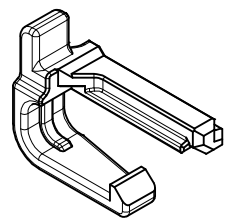
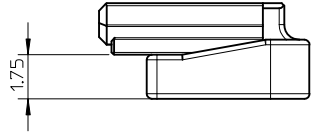
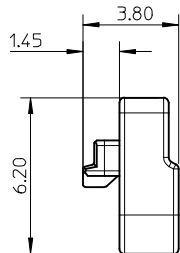
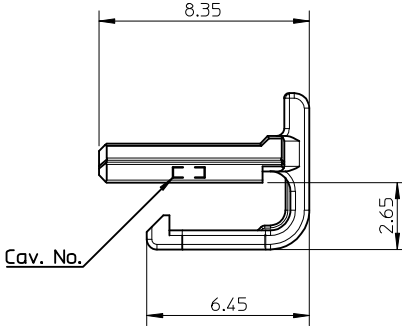
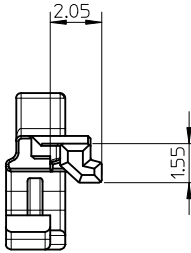


- NOTES:
1. MATERIAL : POLYESTER (PBT), GLASS FILLED, UL94V-0
 2. APPLICABLE HOUSING : 560123-0300, 560123-0301
 3. GENERAL TOLERANCE : SEE TABLE
 4. ELV AND RoHS COMPLIANT
 5. PRODUCT SPECIFICATION : PS-560123-001
 6. PRODUCT SPECIFICATION : PK-560125-001

ORDER NO	MATERIAL NO	COLOR
560125-0300	5601250300	GRAY
560125-0301	5601250301	BLACK

ADDED OPTION EC NO: KTR2015-0103 DRWN: YIBA EK 2015/04/29 CHKD: APPR: JYCHO1 2015/05/29 REV DESCRIPTION	QUALITY SYMBOLS	GENERAL TOLERANCES (UNLESS SPECIFIED) <table border="1"> <thead> <tr> <th></th> <th>mm</th> <th>INCH</th> </tr> </thead> <tbody> <tr> <td>4 PLACES</td> <td>± ---</td> <td>± ---</td> </tr> <tr> <td>3 PLACES</td> <td>± ---</td> <td>± ---</td> </tr> <tr> <td>2 PLACES</td> <td>± ---</td> <td>± ---</td> </tr> <tr> <td>1 PLACE</td> <td>± ---</td> <td>± ---</td> </tr> </tbody> </table>		mm	INCH	4 PLACES	± ---	± ---	3 PLACES	± ---	± ---	2 PLACES	± ---	± ---	1 PLACE	± ---	± ---	DIMENSION STYLE	SCALE	DESIGN UNITS	THIRD ANGLE PROJECTION
			mm	INCH																	
	4 PLACES	± ---	± ---																		
	3 PLACES	± ---	± ---																		
2 PLACES	± ---	± ---																			
1 PLACE	± ---	± ---																			
▽=0 □=0	MM ONLY DRAWN BY: YIBA EK DATE: 2014/07/08 CHECKED BY: DATE: APPROVED BY: SRTAK DATE: 2014/08/26 MATERIAL NO.	5:1 METRIC 	TITLE: NEW 2.0 PITCH W/B CONN. REC. 3WAY ISL DURACLIK™ ISL SERIES MOLEX INCORPORATED																		
DRAFT WHERE APPLICABLE MUST REMAIN WITHIN DIMENSIONS	SEE TABLE SIZE: A3 THIS DRAWING CONTAINS INFORMATION THAT IS PROPRIETARY TO MOLEX INCORPORATED AND SHOULD NOT BE USED WITHOUT WRITTEN PERMISSION	DOCUMENT NO.: SD-560125-003 SHEET NO.: 1 OF 1																			

GENERAL TOLERANCE										USED ON
10 MAX	30 MAX	50 MAX	70 MAX	100 MAX	120 MAX	250 MAX	250 OVR	ANGLE	ECCENT	
±0.15	±0.20	±0.30	±0.40	±0.50	±0.75	±0.90	±1.4	±0.5°	0.1	



- NOTES:
1. MATERIAL : POLYESTER (PBT), GLASS FILLED, UL94V-0
 2. APPLICABLE HOUSING : 560123-0300, 560123-0301
 3. GENERAL TOLERANCE : SEE TABLE
 4. ELV AND RoHS COMPLIANT
 5. PRODUCT SPECIFICATION : PS-560123-001
 6. PRODUCT SPECIFICATION : PK-560125-001

ORDER NO	MATERIAL NO	COLOR
560125-0300	5601250300	GRAY
560125-0301	5601250301	BLACK

ADDED OPTION EC NO: KTR2015-0103 DRWN: YIBA EK 2015/04/29 CHKD: APPR: JYCHO1 2015/05/29 REV DESCRIPTION	QUALITY SYMBOLS	GENERAL TOLERANCES (UNLESS SPECIFIED) <table border="1"> <thead> <tr> <th></th> <th>mm</th> <th>INCH</th> </tr> </thead> <tbody> <tr> <td>4 PLACES</td> <td>± ---</td> <td>± ---</td> </tr> <tr> <td>3 PLACES</td> <td>± ---</td> <td>± ---</td> </tr> <tr> <td>2 PLACES</td> <td>± ---</td> <td>± ---</td> </tr> <tr> <td>1 PLACE</td> <td>± ---</td> <td>± ---</td> </tr> <tr> <td colspan="3">ANGULAR ± ---°</td> </tr> </tbody> </table>		mm	INCH	4 PLACES	± ---	± ---	3 PLACES	± ---	± ---	2 PLACES	± ---	± ---	1 PLACE	± ---	± ---	ANGULAR ± ---°			DIMENSION STYLE	SCALE	DESIGN UNITS	THIRD ANGLE PROJECTION
			mm	INCH																				
	4 PLACES		± ---	± ---																				
	3 PLACES		± ---	± ---																				
2 PLACES	± ---	± ---																						
1 PLACE	± ---	± ---																						
ANGULAR ± ---°																								
		MM ONLY	5:1	METRIC																				
		DRAWN BY: YIBA EK CHECKED BY: DATE: 2014/07/08	TITLE	NEW 2.0 PITCH W/B CONN. REC. 3WAY ISL DURA CLIK™ ISL SERIES																				
		APPROVED BY: SRTAK DATE: 2014/08/26	MATERIAL NO.	DOCUMENT NO.	MOLEX INCORPORATED																			
		DRAFT WHERE APPLICABLE MUST REMAIN WITHIN DIMENSIONS	SEE TABLE	SD-560125-003																				
		SIZE: A3	THIS DRAWING CONTAINS INFORMATION THAT IS PROPRIETARY TO MOLEX INCORPORATED AND SHOULD NOT BE USED WITHOUT WRITTEN PERMISSION																					