

**BACKSHELL KIT INCLUDES:**

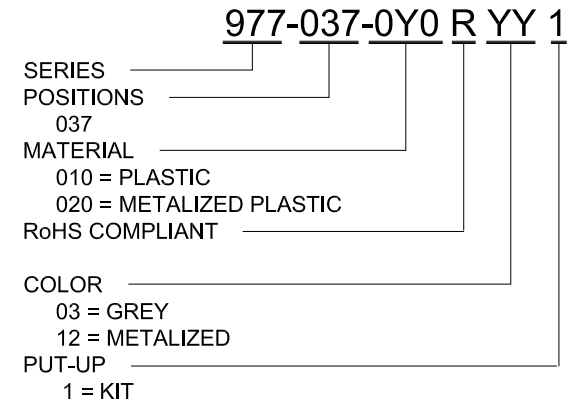
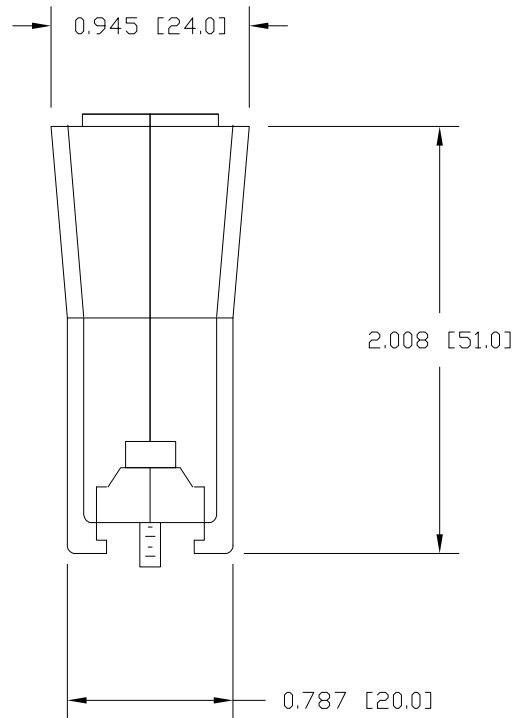
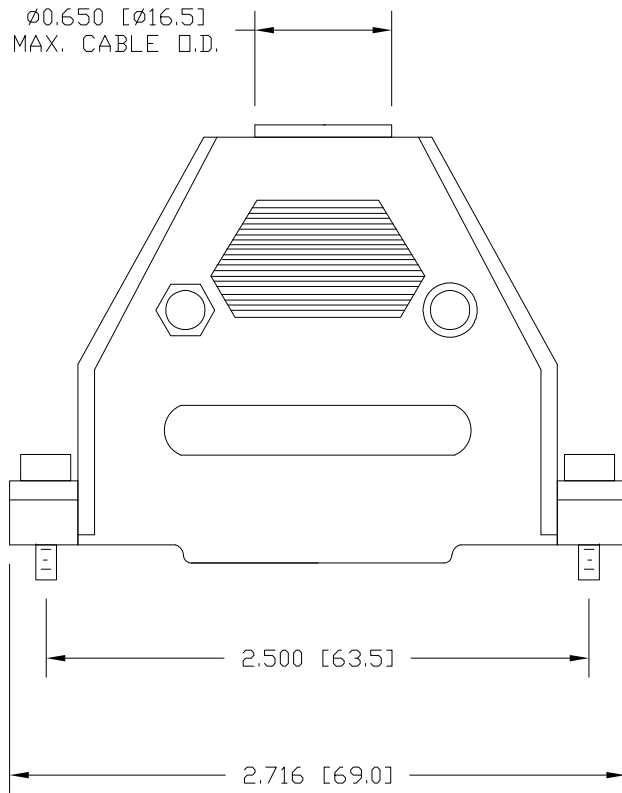
- (2) BACKSHELL HALVES
- (2) HOUSING SCREWS
- (2) HOUSING NUTS
- (2) 4-40 MOUNTING SCREWS
- (2) SADDLE WASHERS
- (2) STRAIN RELIEF CLAMPS
- (2) STRAIN RELIEF SCREWS

**METALIZED PLASTIC:**

- MATERIAL: ABS HIGH TEMPERATURE PLASTIC UL94HB
- METALIZED PLATING: NICKEL OVER COPPER
- OPERATING TEMP: -35°C TO 85°C

**PLASTIC:**

- MATERIAL: ABS HIGH TEMPERATURE PLASTIC UL94HB
- OPERATING TEMP: -35°C TO 85°C



**RoHS COMPLIANT**

UNITS = inch [mm]

**DO NOT SCALE FROM DRAWING**



THESE DRAWINGS AND SPECIFICATIONS ARE THE PROPERTY OF NorComp AND SHALL NOT BE REPRODUCED, COPIED OR USED AS THE BASIS FOR THE MANUFACTURE OR SALE OF APPARATUS WITHOUT WRITTEN PERMISSION.

DRAWN:

J. KADEL

DATE:

08/22/2019

**NorComp**

SCALE: NTS

SHEET 1 OF 1

REV 0

DWG NO.

977-037-0Y0RYY1