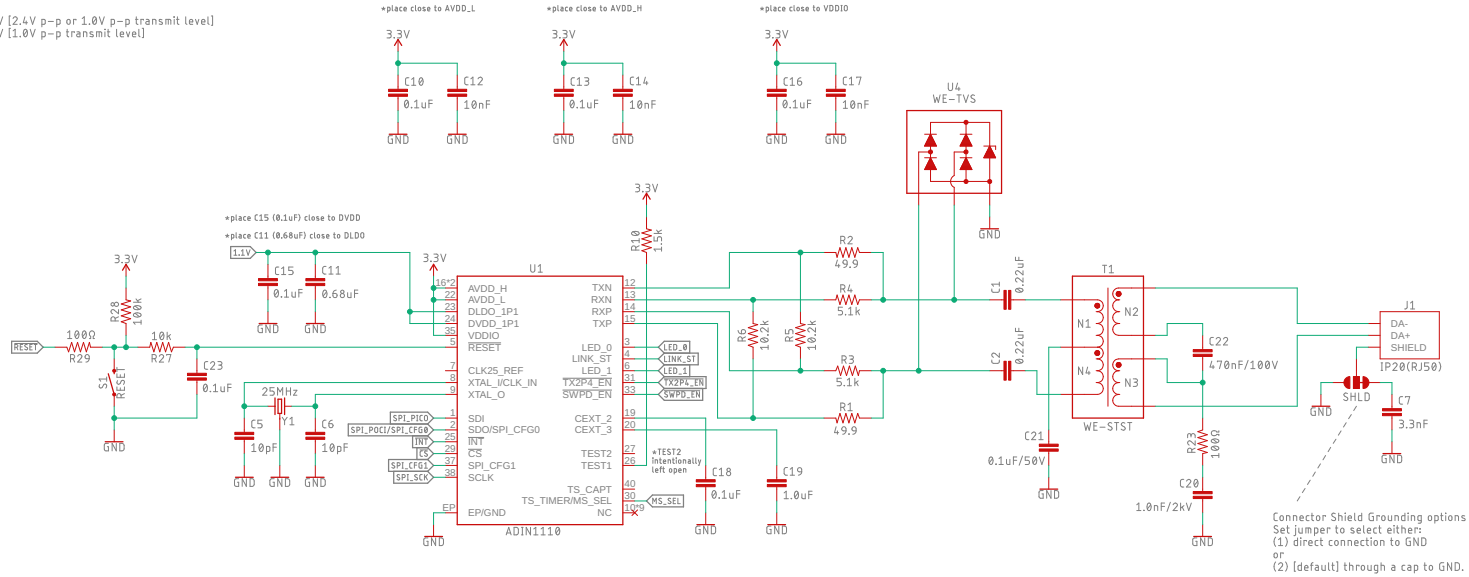
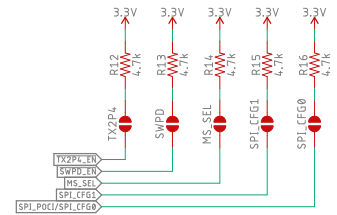


ADIN1110 BASE10-T1L ETHERNET MAC-PHY

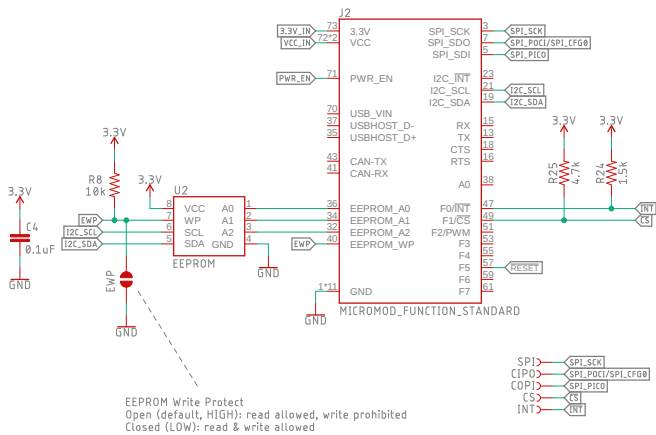
VDD Ranges
 3.13V - 3.46V [2.4V p-p or 1.0V p-p transmit level]
 1.71V - 3.46V [1.0V p-p transmit level]



Configuration Pins/Jumpers

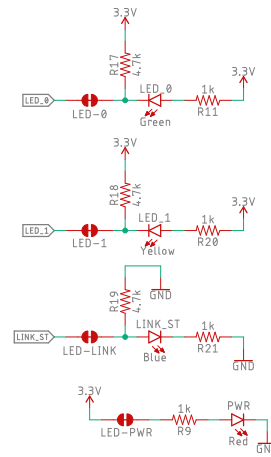


MicroMod Function Connector

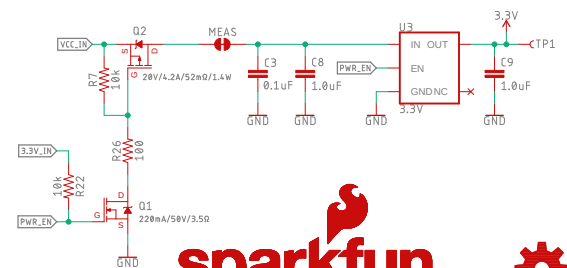


STATUS LEDs

Cut each jumper to disable each LED



Power Enable



Released under the Creative Commons Attribution Share-Alike 4.0 License https://creativecommons.org/licenses/by-sa/4.0/		
TITLE: SparkFun_MicroMod_Function_ADIN1110		Special Instructions
Design by: Pete Lewis	Based on a MH Ethernet board by N. Seldie	REV: v11
Date: 3/31/2022 3:32 PM	Sheet: 1/1	