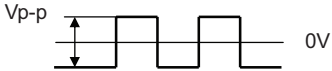


**MODEL:** CPT-3075-90T | **DESCRIPTION:** PIEZO BUZZER TRANSDUCER**FEATURES**

- through hole
- SPL 90 dB
- piezo
- externally driven

**SPECIFICATIONS**

parameter	conditions/description	min	typ	max	units
rated voltage	$V_{p-p}$ 		10		Vp-p
operating voltage		3		30	Vp-p
current consumption	at rated voltage, 2,800 Hz, ½ duty square wave			3	mA
rated frequency			2,800		Hz
sound pressure level	at 10 cm, rated voltage, 2,800 Hz, ½ duty square wave	90			dB
electrostatic capacitance	at 120 Hz	12,600	18,000	23,400	pF
dimensions	Ø30.0 x 7.5				mm
weight			2.0		g
material	ABS				
terminal	pins (red copor with tin plating)				
operating temperature		-20		60	°C
storage temperature		-30		70	°C
RoHS	yes				

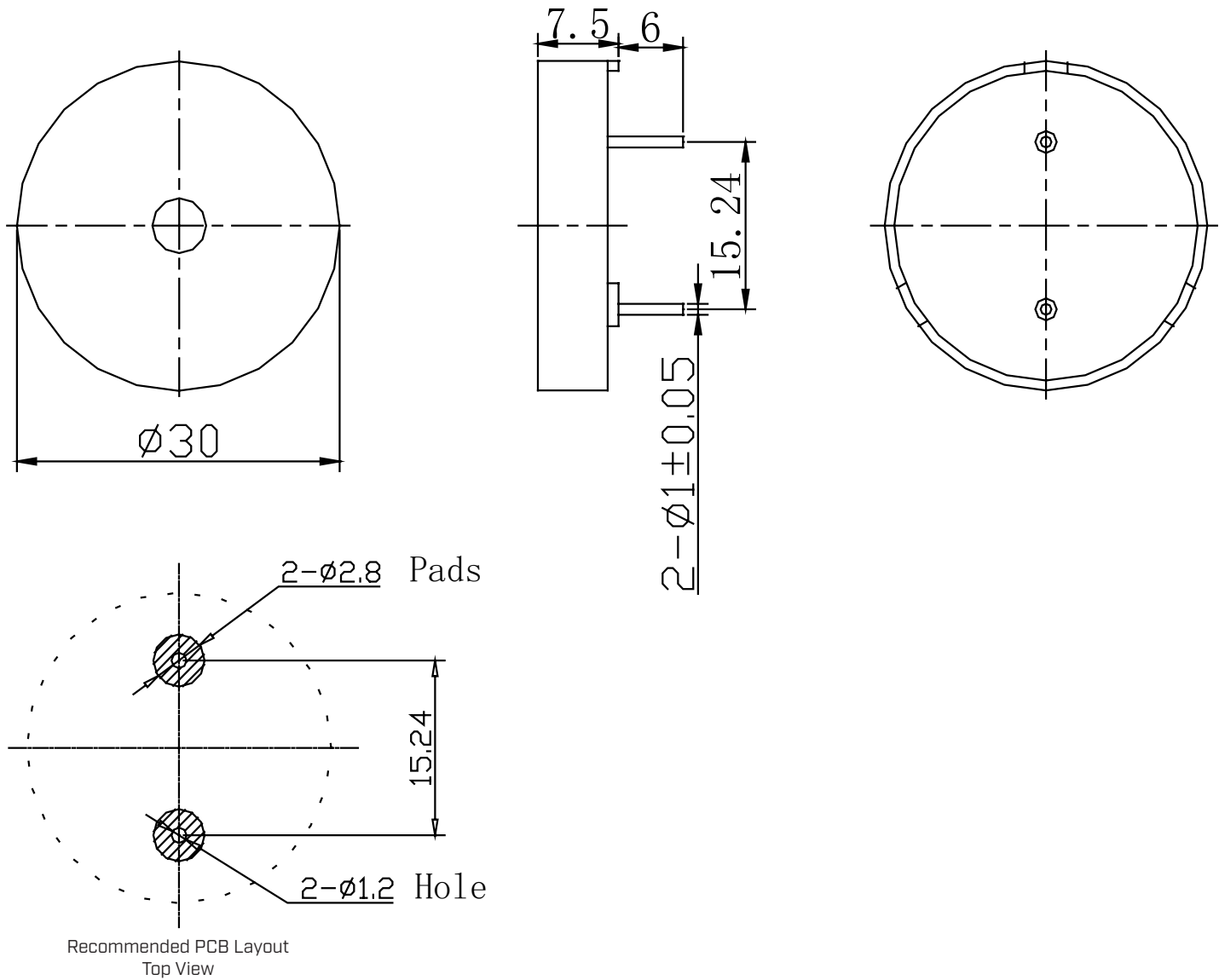
Notes: 1. All specifications measured at 25±3°C, humidity at 60-70%, under 86-106 kPa pressure, unless otherwise noted.

**SOLDERABILITY**

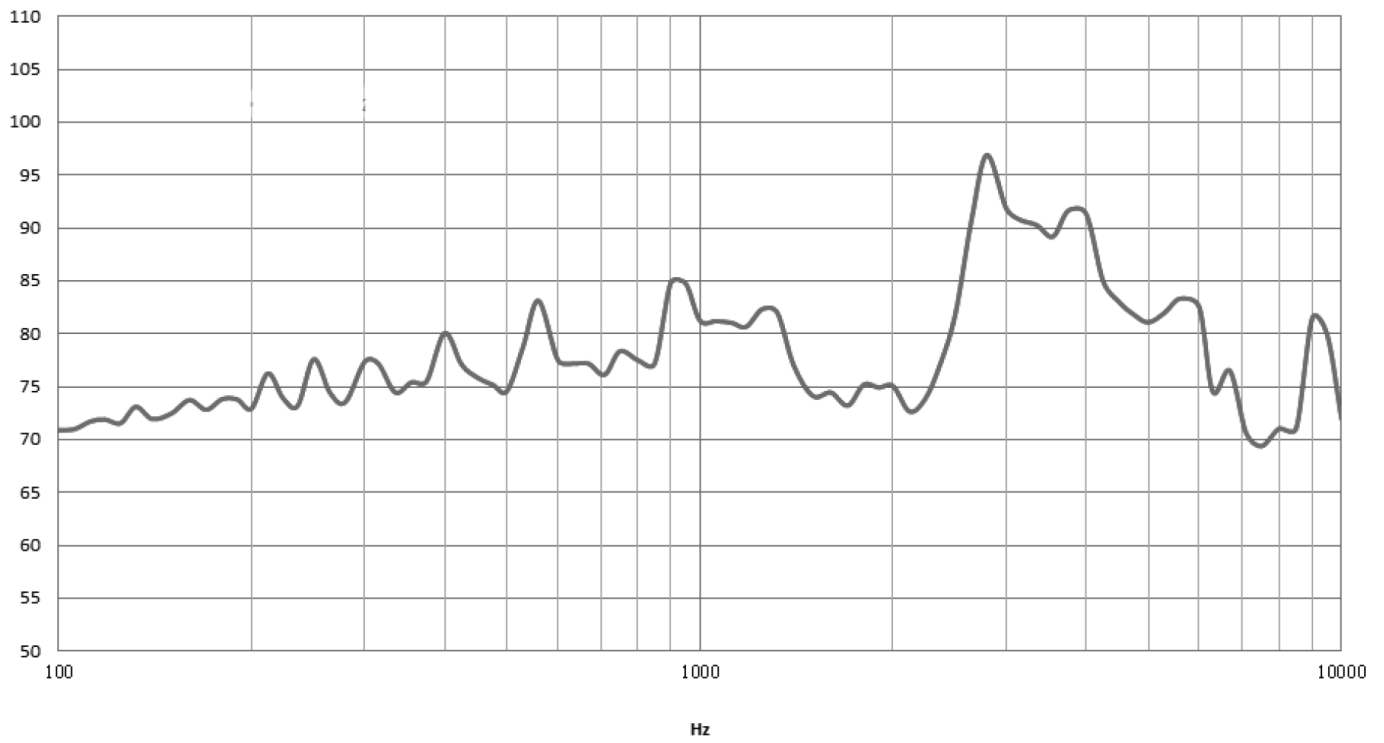
parameter	conditions/description	min	typ	max	units
hand soldering		370	380	390	°C

## MECHANICAL DRAWING

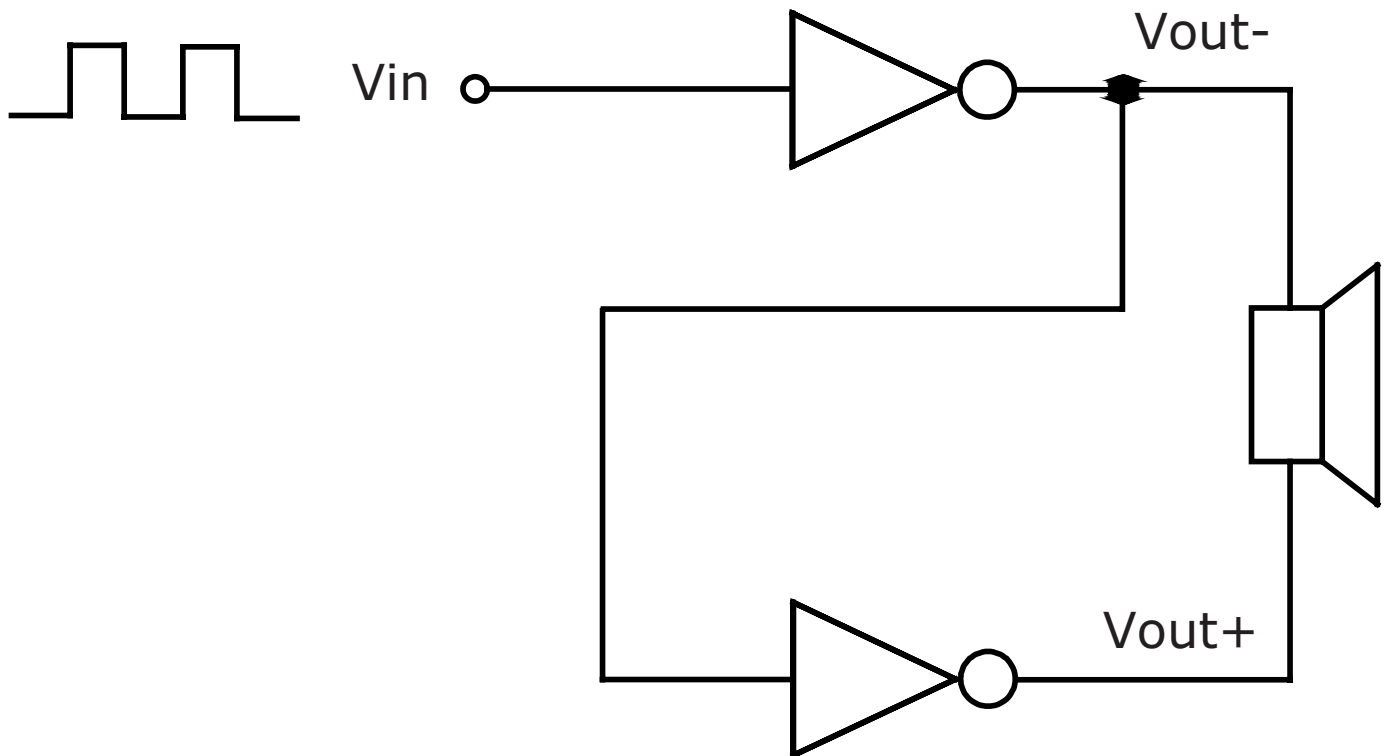
units: mm  
tolerance:  $\pm 0.5$  mm



## FREQUENCY RESPONSE CURVE



## APPLICATION CIRCUIT





## REVISION HISTORY

rev.	description	date
1.0	initial release	07/15/2019
1.01	brand update	01/03/2020
1.02	logo, datasheet style update	08/05/2022

The revision history provided is for informational purposes only and is believed to be accurate.



CUI Devices offers a one (1) year limited warranty. Complete warranty information is listed on our website.

CUI Devices reserves the right to make changes to the product at any time without notice. Information provided by CUI Devices is believed to be accurate and reliable. However, no responsibility is assumed by CUI Devices for its use, nor for any infringements of patents or other rights of third parties which may result from its use.

CUI Devices products are not authorized or warranted for use as critical components in equipment that requires an extremely high level of reliability. A critical component is any component of a life support device or system whose failure to perform can be reasonably expected to cause the failure of the life support device or system, or to affect its safety or effectiveness.

[cuidevices.com](http://cuidevices.com)