

# EC series

Compact emergency switches •  
panel cut-out Ø 22 mm



## DISTINCTIVE FEATURES

- Compact emergency stop switches with Ø22 mm bushing
- Integrated connector for easy mounting
- Front sealing : IP65
- Approved according to EN 60947-5-1, EN 60947-5-5



## ELECTRICAL SPECIFICATIONS

- Electrical function : One or two poles, normally closed contact (NC).
- Current/voltage rating (EN60947-5-1):  
 Ui : 250 V, Uimp : 2.5 kV, direct opening action  
 AC15 B300, 3 A/120 V; 1.5 A/240 V, Ith: 5 A  
 DC13 R300, 220 mA/125 V; 110 mA/250 V, Ith: 1 A
- Electrical life : 6,050 lifecycles according EN60947-5-1
- Mechanical life : 50,000 lifecycles
- Dielectric strength : 2,500 Vrms 50 Hz min. between terminals



## ENVIRONMENTAL SPECIFICATIONS

- Front panel sealing : IP65
- Operating temperature : -35 °C to +70 °C (-31 °F to +158 °F)
- Storage temperature : -40 °C to +85 °C (-40 °F to +185 °F)



## GENERAL SPECIFICATIONS

- Panel thickness : 1-4 mm (.039 - .157) max.
- Torque : 1.5 Nm max. applied to nut



## MATERIALS

- Case : PA66
  - Actuator : PA66
  - Bushing : PA66
  - Contacts and terminals : Brass silver plated + silver rivet
- APEM products may be recycled at end-of-life for the re-claiming of valuable metal components.

The company reserves the right to change specifications without notice.

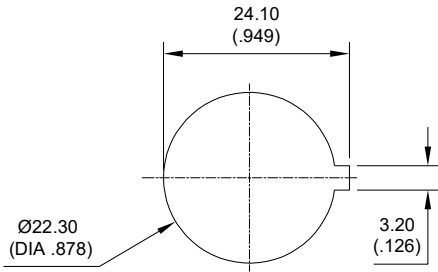


# EC series

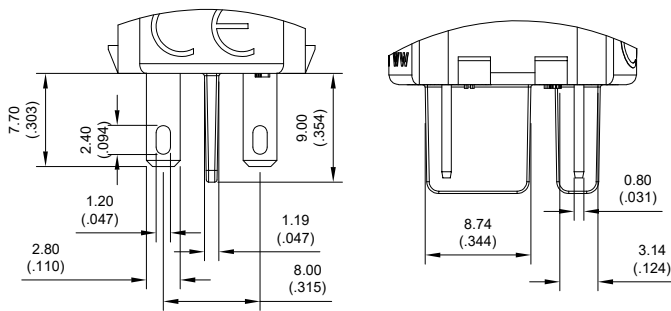
Compact emergency switches • panel cut-out Ø 22 mm



## PANEL CUT-OUT



## TERMINALS



## ELECTRICAL FUNCTIONS



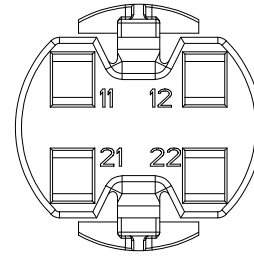
Single pole  
Normally closed



Double pole  
Normally closed



## CONNECTIONS



2.8 (.110) tabs to be fitted by the user (example : AMP/Tyco 0-927779-3) on connector location #11 and #12 for one pole and #21 and #22 for two poles.

## AGENCY APPROVALS



EN 60947-5-1: 2017  
EN 60947-5-5 : 1997+A1+A11+A2



2014/35/EU

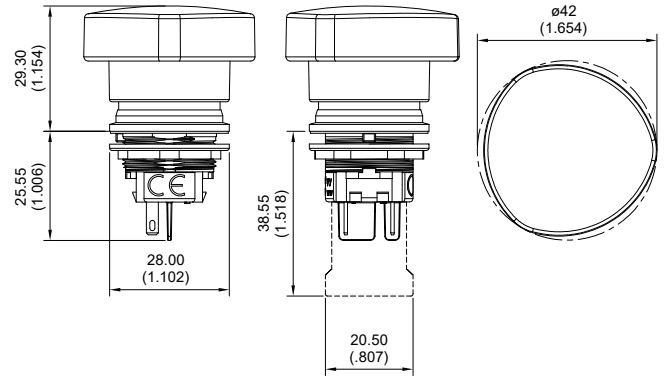
# EC series

Compact emergency switches • panel cut-out Ø 22 mm

## SINGLE POLE



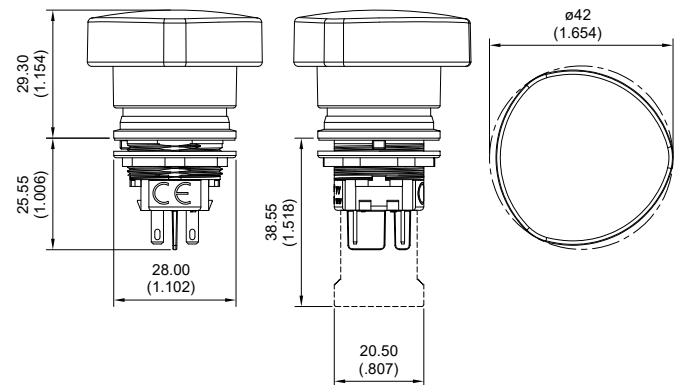
EC-BTT-F-002-A



## DOUBLE POLE, TRIANGLE ACTUATOR



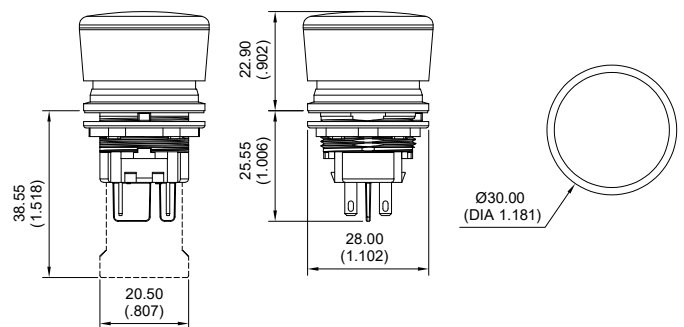
EC-BTT-F-102-A



## DOUBLE POLE, ROUND ACTUATOR



EC-BTT-F-104-A



## CONNECTOR



EC481022

