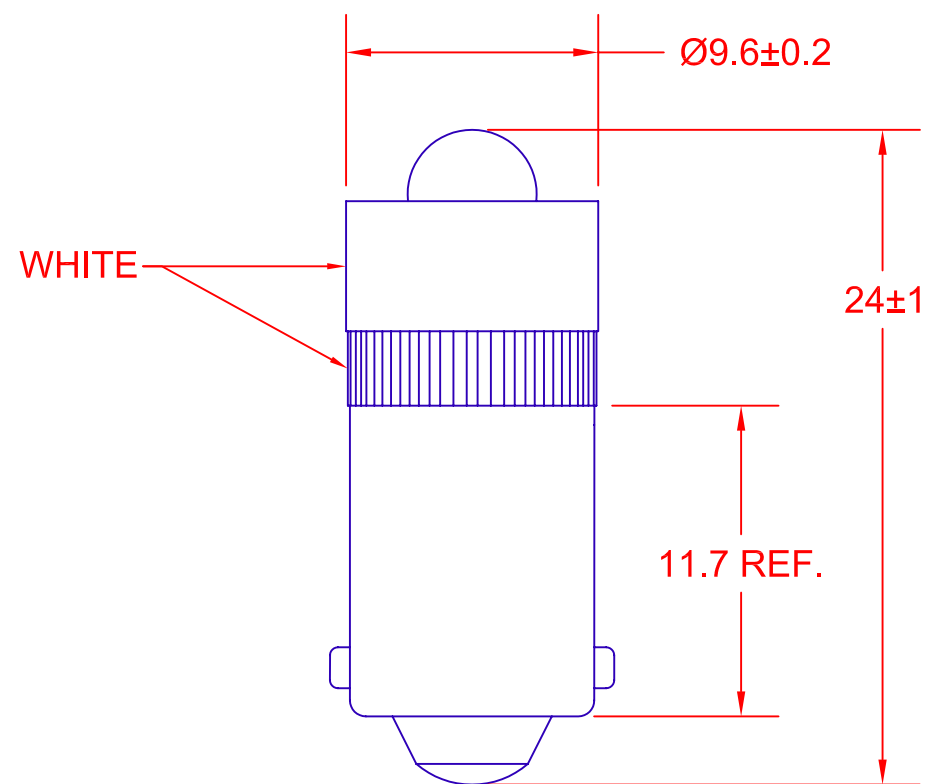


REV.	DESCRIPTION/ECO NO.	DATE
	RELEASE & CANCEL PL-0611-01	1/25/07
A	ADD X Y COORDINATES	3/19/07
B	CHNG COORD. TO COLOR TEMP	1/12/10
C	ADD FEATURES NOTE, CHNG TITLE	2/10/10



FEATURES

Non-Polarized
12V AC or DC Operation

ELECTRICAL OPTICAL CHARACTERISTICS

COLOR	AC/DC VOLTS	AMPS (mA)	LUMINOUS INTENSITY (mcd)	COLOR TEMPERATURE	50% POWER ANGLE (deg.)
COOL WHITE	12-14	20 (MAX.)	TYP. 7,000	6000K	30

JKL PART NO.: LE-BA9S-12W

<p>THIRD ANGLE PROJECTION</p>	<p>DIMENSIONS ARE IN MILLIMETERS</p> <p>TOLERANCE UNLESS OTHERWISE SPECIFIED</p> <p>1 PL +/- 0.2</p> <p>2 PL +/- 0.20</p> <p>ANGLE +/- 0</p>		<p>JKL COMPONENTS CORPORATION</p>				
			<p>TITLE</p> <p>12V T-3 1/4 BAYONET BASED LED</p>				
<p>DRAWN BY</p> <p>L. WENGSTROM</p>	<p>APP'VD BY</p> <p>L.R.</p>	<p>DATE</p> <p>2/10/10</p>	<p>SIZE</p> <p>A</p>	<p>FSCM NO.</p> <p>55335</p>	<p>DRAWING NO.</p> <p>LE-BA9S-12W</p>		
<p>- CAD DRAWING -</p> <p>MANUAL REVISIONS NOT PERMITTED</p>			<p>SCALE</p> <p>NONE</p>	<p>RELEASED DATE</p> <p>1/25/07</p>	<p>REVISION DATE</p> <p>2/10/10</p>	<p>REV. NO. C</p>	<p>SHEET</p> <p>1 OF 1</p>