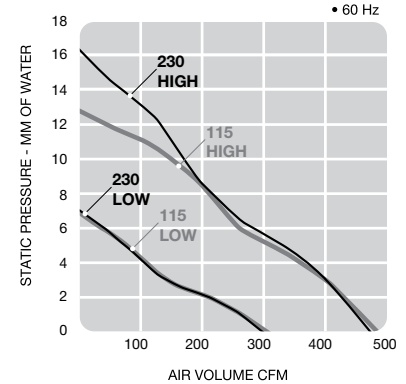
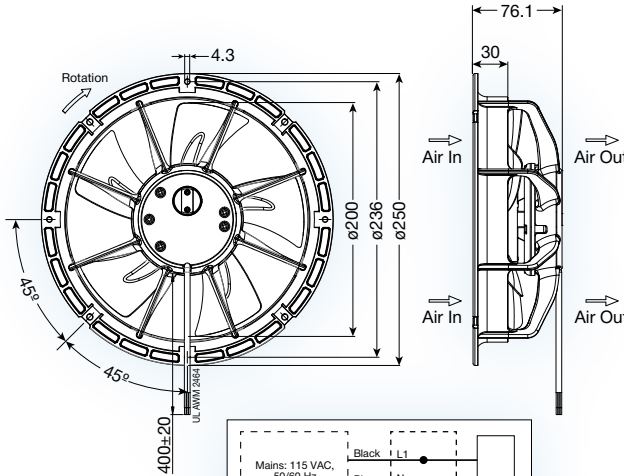




LPT200BMB series



(250 dia. x 76 mm)

9.84 x 3 inches

Operating voltage: 115 or 230 VAC

Construction: plastic frame and metal impeller

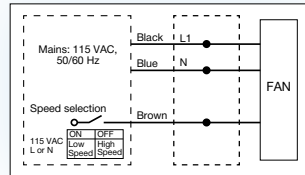
Bearing option: ball bearing

Motor: 2 speed electronically commutated

Air flow: exhaust over struts

Connection: lead wire UL AWM 2464

Protection: thermal



Model No.	Rated Voltage V	Freq. HZ	Input Power W	Rated Cur. A	Speed	RPM	Air Volume		Max. Static Pressure (H ₂ O)		Sound Noise db	Wt. kg
							M ³ /Min.	CFM	MM	INCH		
LPT200BMB	115	50/60	7	0.11	LOW	1,400	8.61	304	6.86	0.27	44	1
		50/60	26	0.38	HIGH	2,200	13.7	484	12.95	0.51	55	1
	230	50/60	8	0.07	LOW	1,400	8.49	300	7.11	0.28	44	1
		50/60	26	0.23	HIGH	2,200	13.4	472	16.26	0.64	55	1

