

P	LTR	DESCRIPTION	DATE	DWN	APVD
A		INITIAL RELEASE	21AUG2019	HH	CW

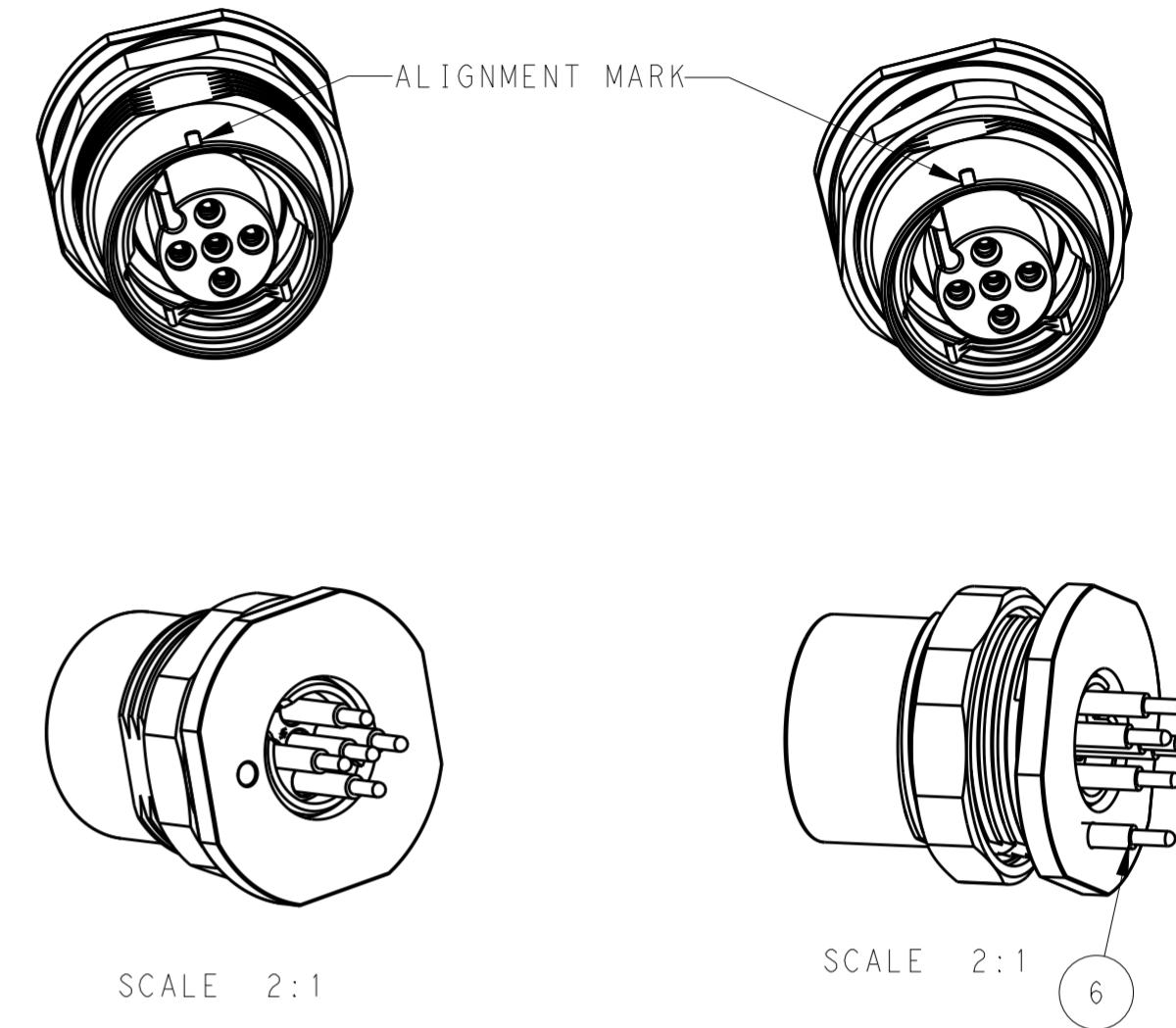
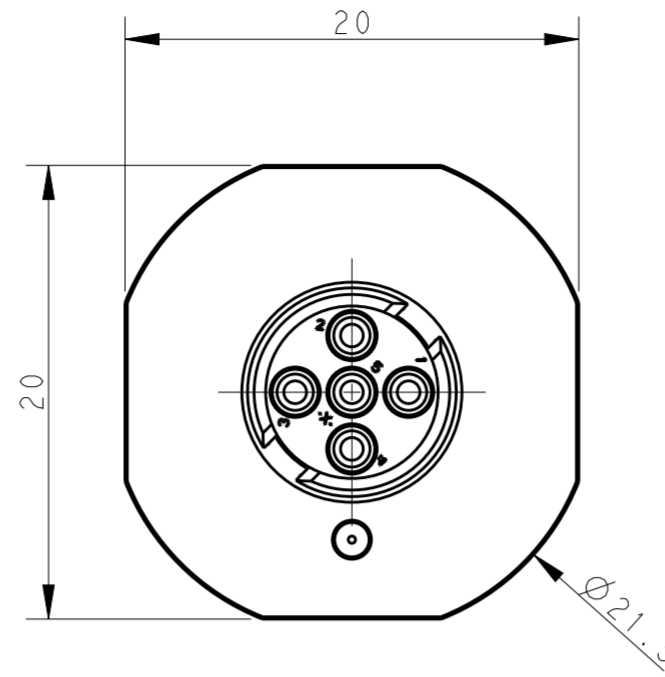
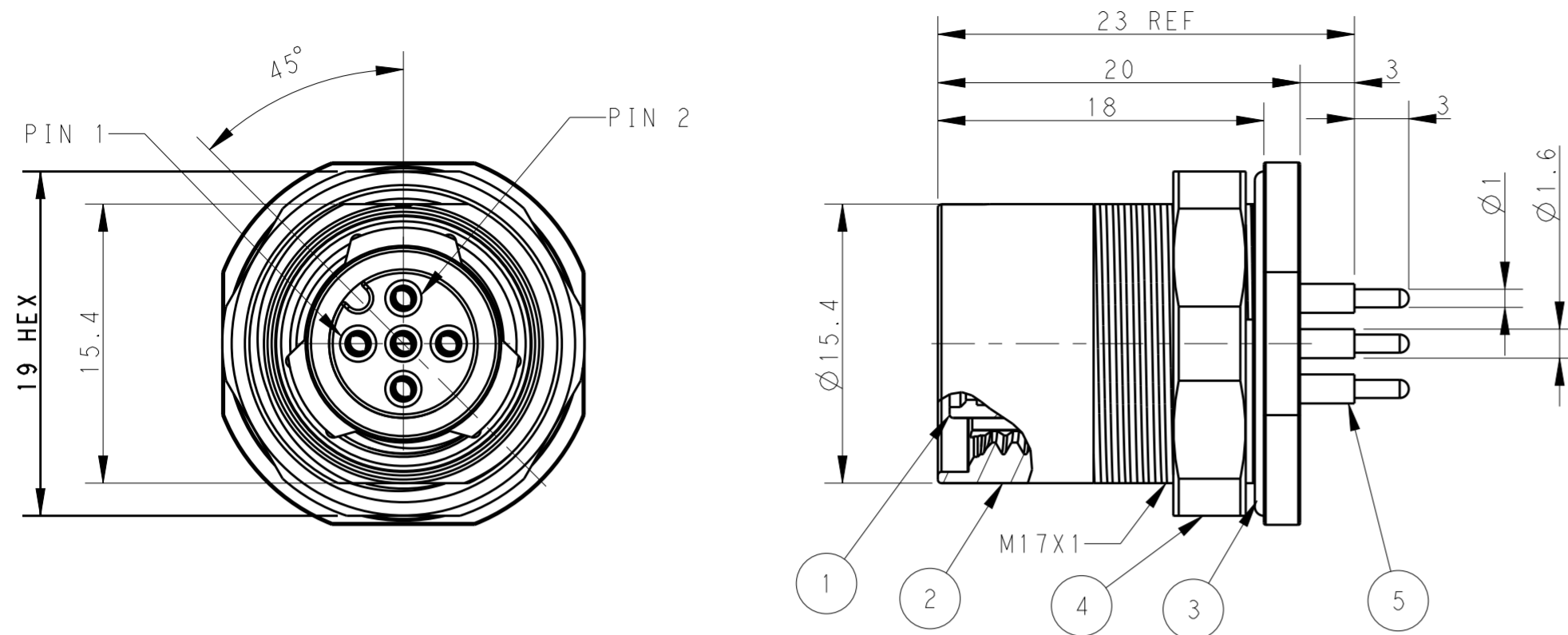
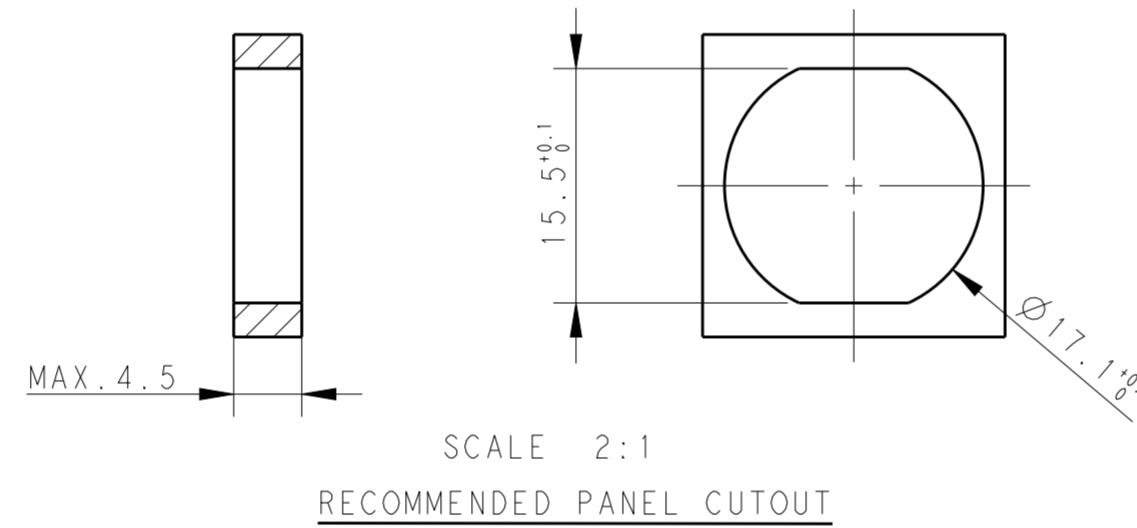


TABLE 1

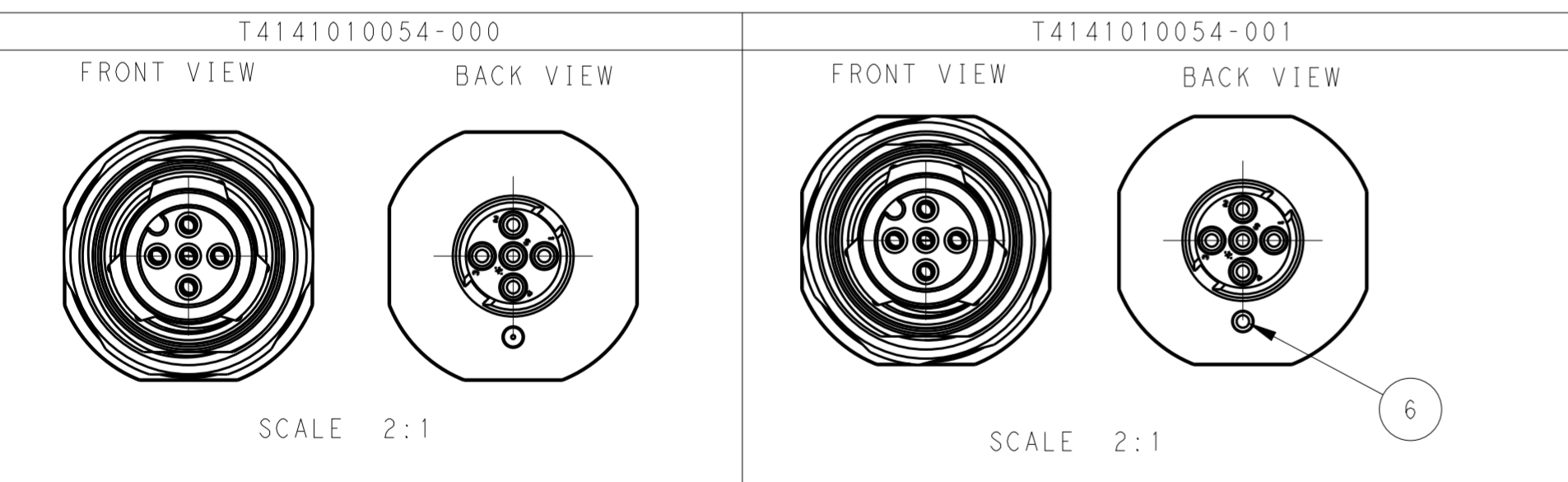
TECHNICAL DATA	T4141010054-000	T4141010054-001
RATED VOLTAGE	60V	60V
RATED CURRENT	4A	4A
POLLUTION DEGREE	2	2
OVERVOLTAGE CATEGORY	II	II
MATERIAL GROUP	I	I
CONTACT RESISTANCE (INITIAL)	$\leq 10m\Omega$	$\leq 10m\Omega$
INSULATION RESISTANCE	$> 100M\Omega$	$> 100M\Omega$
DEGREE OF PROTECTION	IP67	IP67
OPERATION TEMPERATURE	-40~85°C	-40~85°C



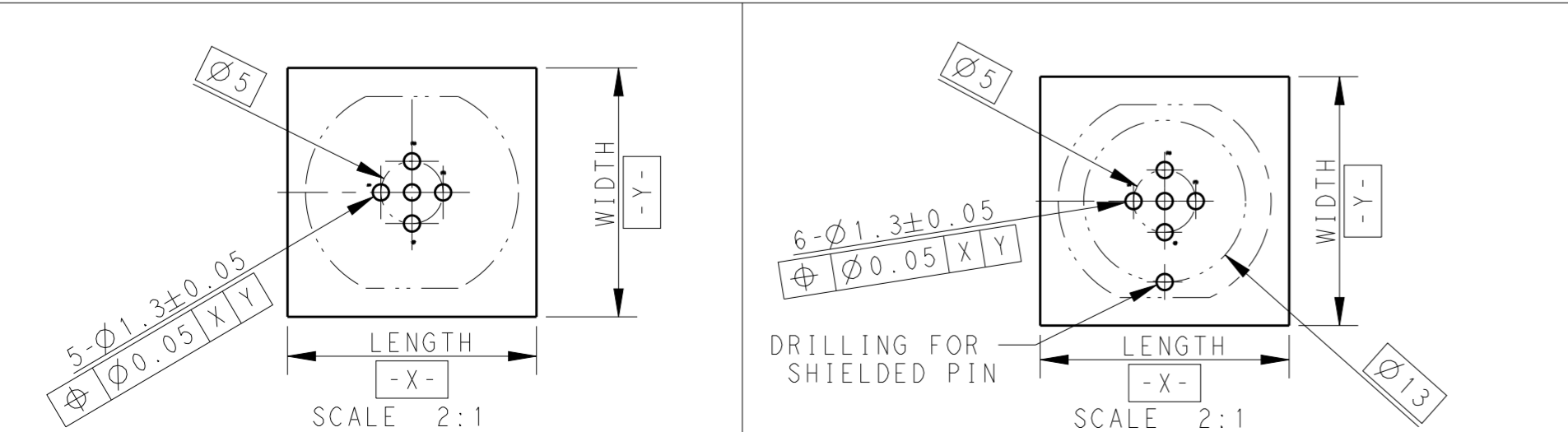
NOTE:

1. TECHNICAL DATA: SEE TABLE 1
  2. RECOMMENDED MOUNT PANEL SEE DETAIL
  3. PRODUCT COMPLIES WITH IEC61076-2-012
  4. PLASTIC INSERT MATERIAL: UL LISTED WITH UL94V0 FLAME RATING
  5. PRODUCT CAN MEET REFLOW SOLDERING WITH 265°C MAX PEAK TEMPERATURE PER TEC-109-201
  6. ALL MATERIALS TO BE ROHS COMPLIANT
  7. ALL MATERIALS TO BE REACH COMPLIANT
- 注释:  
 1: 技术参数, 见表1  
 2: 推荐开孔尺寸详见如图所示  
 3: 产品符合标准 IEC61076-2-012  
 4: 塑胶材料符合 UL 标准, UL-94V0 阻燃等级  
 5: 产品满足最高 260 度的 REFLOW 制程, 参考 TEC-109-201  
 6: 所有材料符合 ROHS 参照标准 TEC-138-705  
 7: 所有材料符合 REACH 参照标准 TEC-138-705

PIN ARRANGEMENT  
A-CODE



RECOMMENDED DRILLING DIAGRAM (PCB THICKNESS 1.6mm MAX)



TE PN	TYPE	DESCRIPTION	ITEM		
T4141010054-000	RPC-M12-FF-5CON-M17P-LBU	M12 PUSH-PULL PANEL MOUNT CONNECTOR, 5PIN, A CODE, FEMALE, REAR MOUNTING, PCB SOLDERING, UN-SHIELDED	6		
T4141010054-001	RPC-M12-FF-5CON-M17P-LBUS	M12 PUSH-PULL PANEL MOUNT CONNECTOR, 5PIN, A CODE, FEMALE, REAR MOUNTING, PCB SOLDERING, SHIELDED	5		
	TIN PLATING	COPPER ALLOY	SHIELDED PIN	6	1
	CONTACT AREA WITH 30µ" MIN. GOLD PLATED	COPPER ALLOY	CONTACT	5	5
	NICKEL PLATING	COPPER ALLOY	METAL NUT	4	1
	-	SILICON RUBBER	O-RING	3	1
	NICKEL PLATING	COPPER ALLOY	M12, FEMALE, METAL BODY	2	1
	-	PA RESIN	M12, FEMALE HSG	1	1
	PLATING	MATERIAL	DESCRIPTION	ITEM	

THIS DRAWING IS A CONTROLLED DOCUMENT.

DWN: HART HE 21MAY2019  
 CHK: GINO YAO 21MAY2019  
 APVD: CHRIS WANG 21MAY2019

TE Connectivity

M12 PUSH-PULL PANEL MOUNT CONNECTOR A CODE, FEMALE, REAR MOUNTING, PCB SOLDERING

108-137420  
 114-137144

SIZE: A2  
 CAGE CODE: 00779  
 DRAWING NO: T414101005400X

SCALE: 1:1  
 SHEET: 1 OF 1  
 REV: A