

1

2

3

4

U_A-Headers
A-Headers.SchDoc



U_Analog
Analog.SchDoc



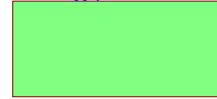
U_DDR3-RAM
DDR3-RAM.SchDoc



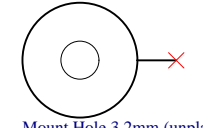
U_USB-PHY
USB-PHY.SchDoc



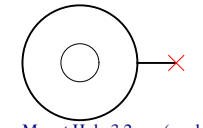
U_PowerSupply
PowerSupply.SchDoc



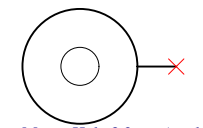
U_FTDI
FTDI.SchDoc



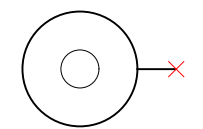
Mount.Hole 3.2mm (unplated)



Mount.Hole 3.2mm (unplated)



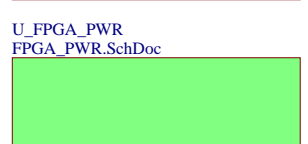
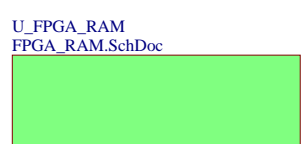
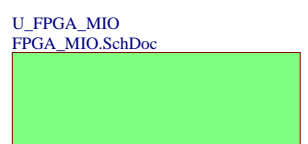
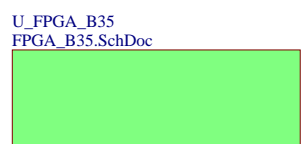
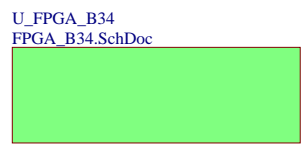
Mount.Hole 3.2mm (unplated)



Mount.Hole 3.2mm (unplated)

A

A

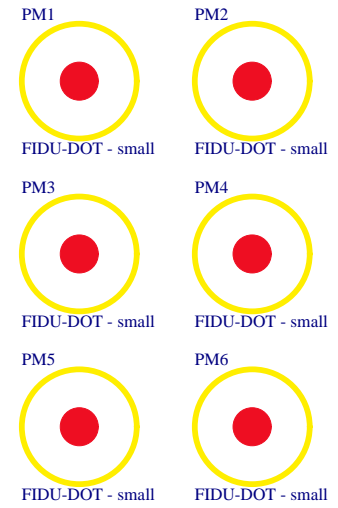


B

B

C

C



LOGO1
TE Logo PRINT Layer
LOGO PRINT

Serial
Serial
Serialnumber 6,3 x 6.3mm

D

D



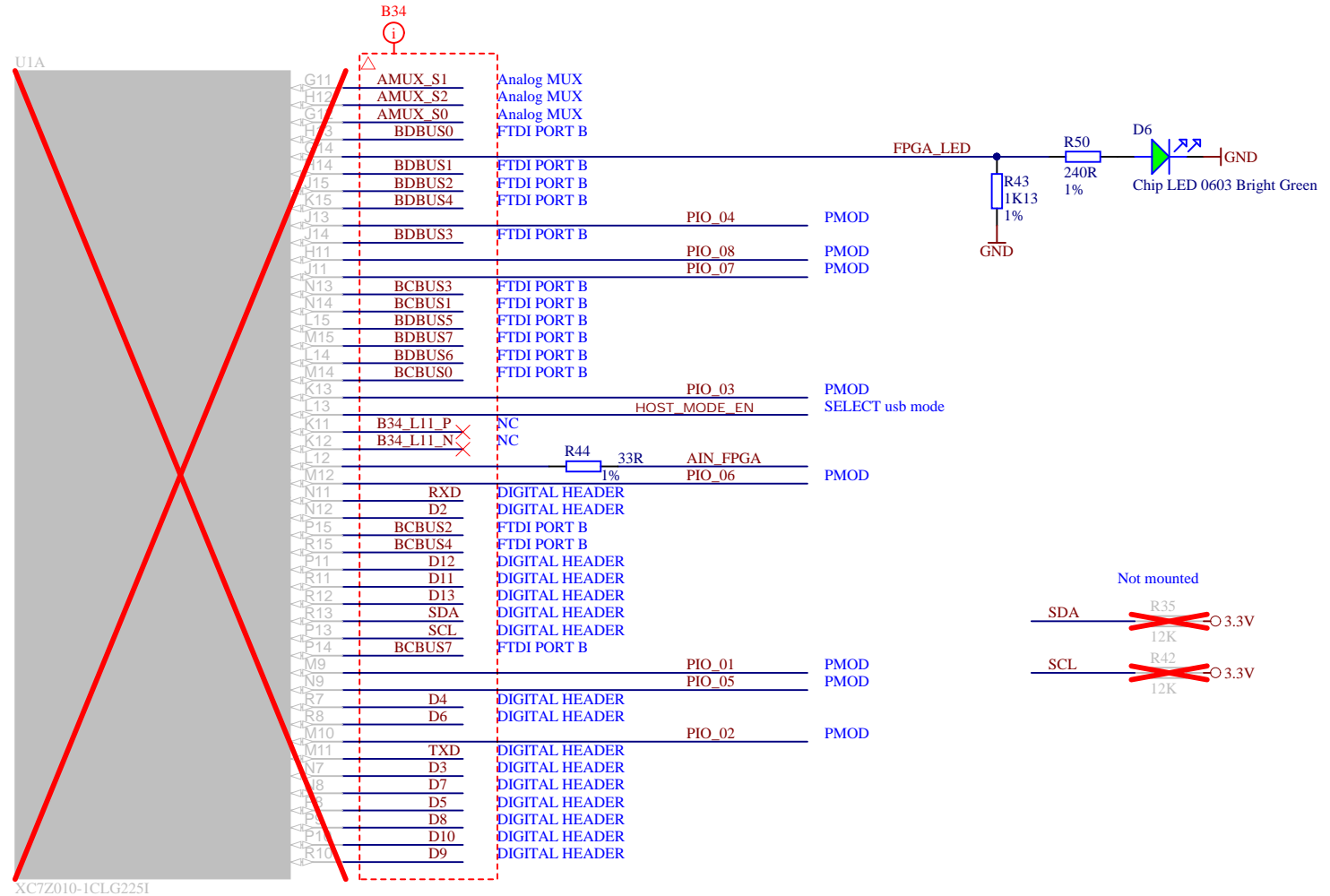
Title: TE0723		
A4	Number: TE0723 TE0723_C1	Rev. 02
Date: 2015-11-06	Copyright: Trenz Electronic GmbH	Page1 of 12
Filename: TE0723.SchDoc		

1

2

3

4



	Title: TE0723 - FPGA B34		
	A4	Number: TE0723 TE0723_C1	Rev. 02
	Date: 2015-11-06	Copyright: Trenz Electronic GmbH	Page2 of 12
	Filename: FPGA_B34.SchDoc		

1

2

3

4

A

A

B

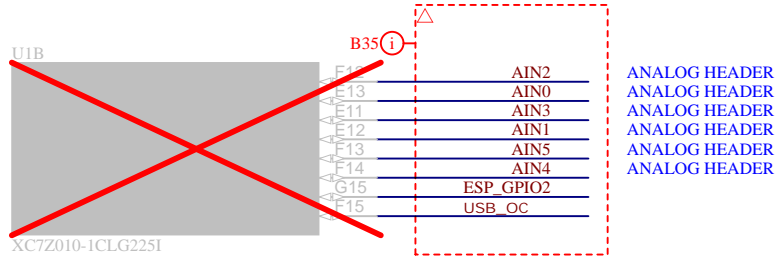
B


C

C

D

D



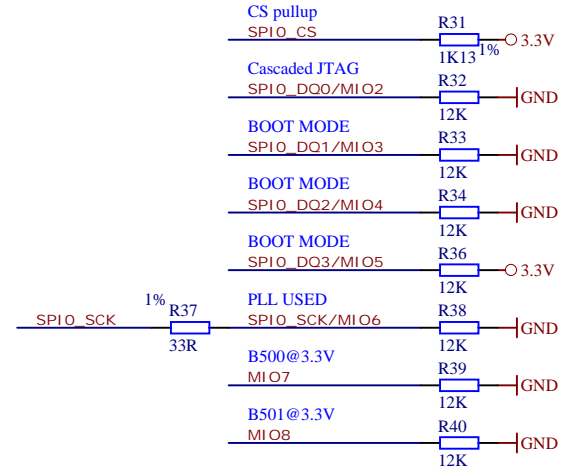
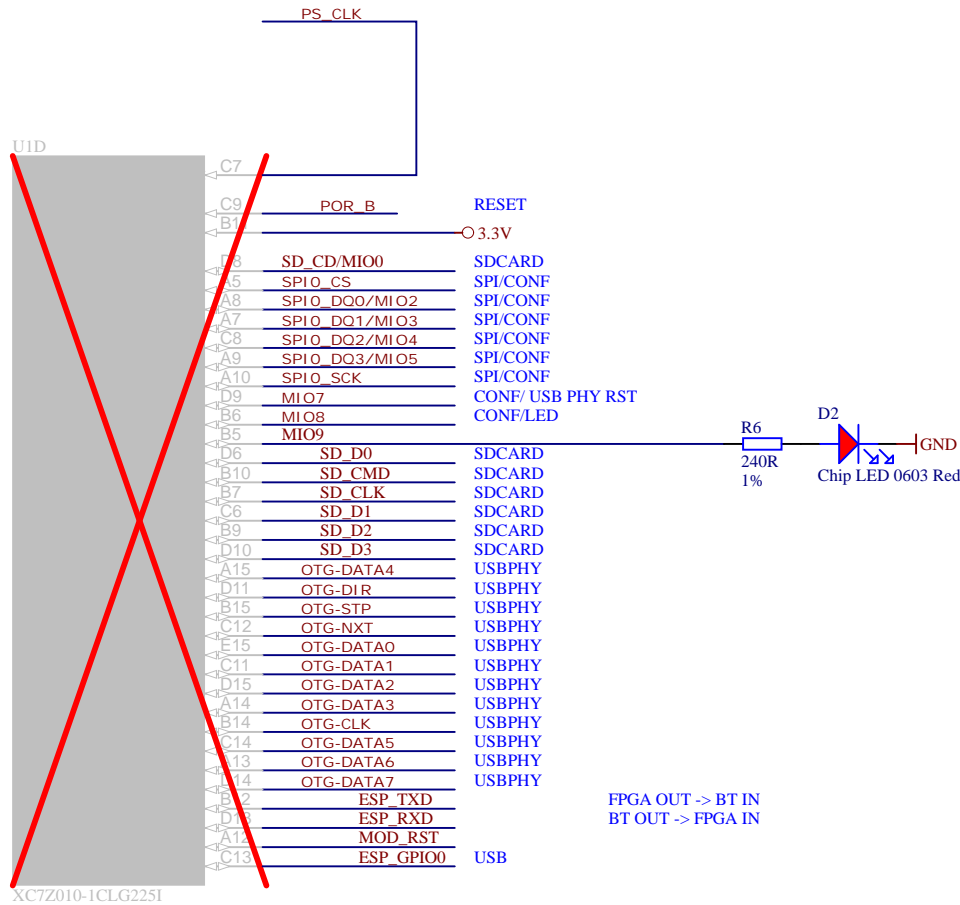
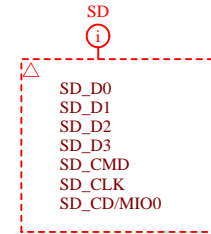
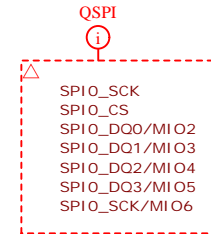
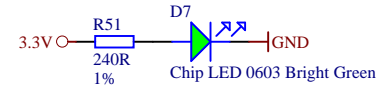
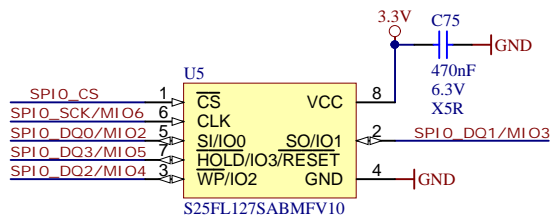
		Title: TE0723 - FPGA B35	
		A4	Number: TE0723 TE0723_C1
Date: 2015-11-06		Copyright: Trenz Electronic GmbH	
Filename: FPGA_B35.SchDoc		Page3 of 12	

1

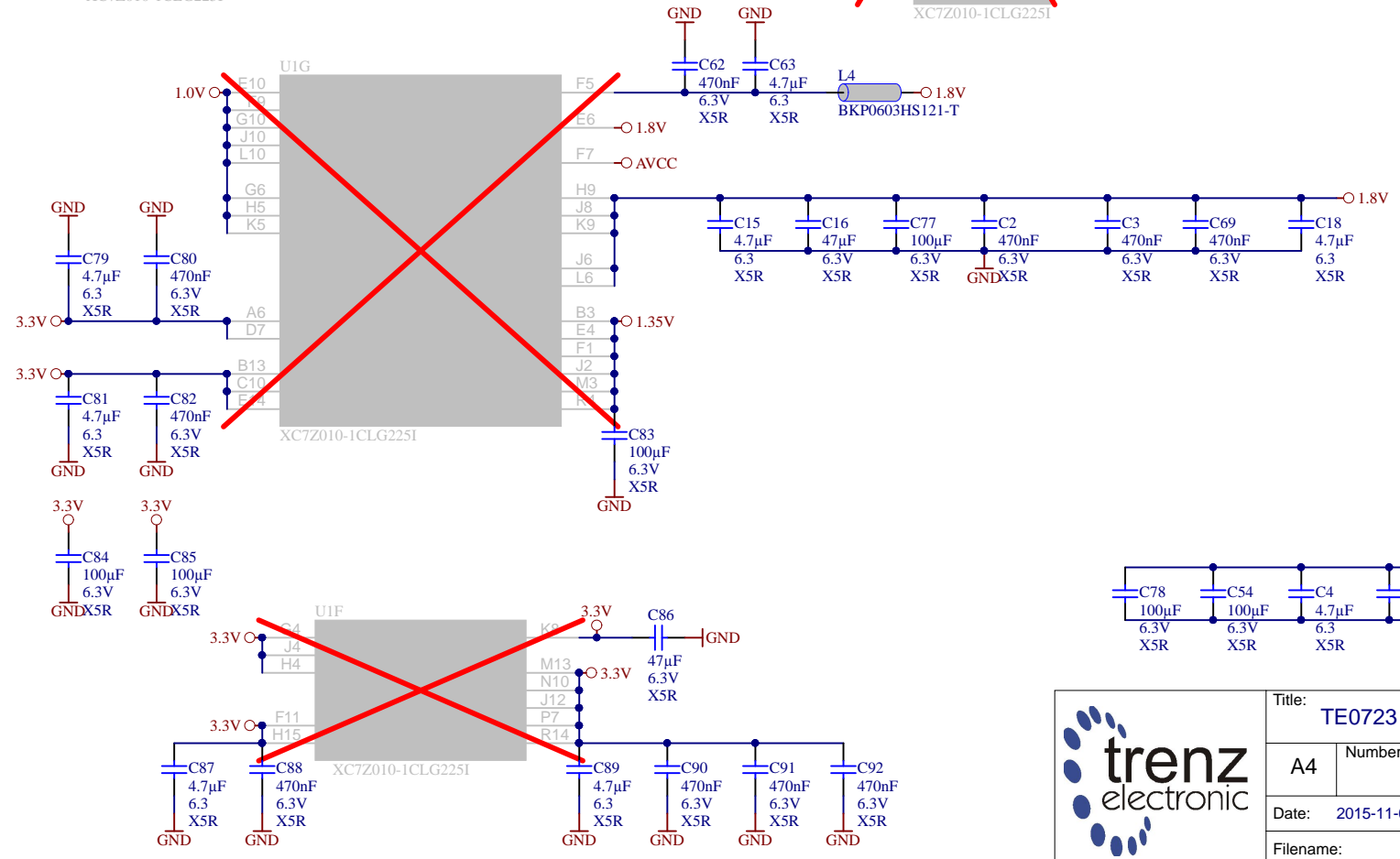
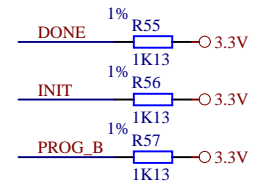
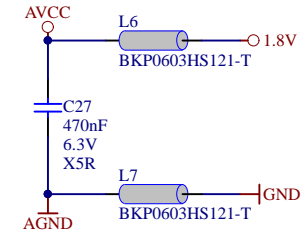
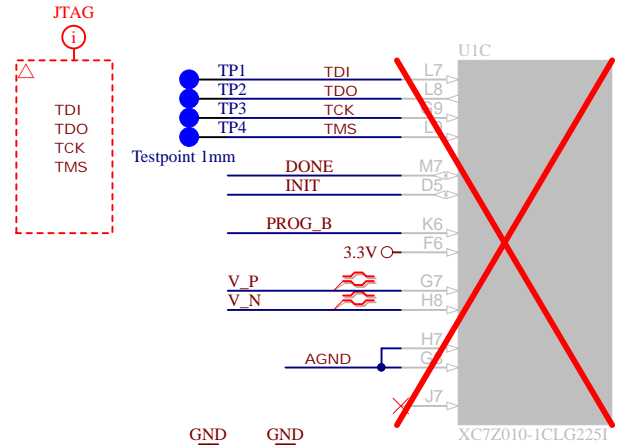
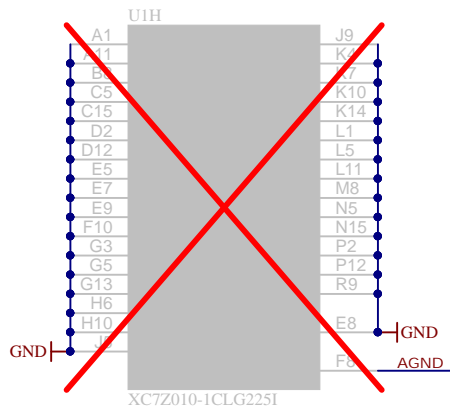
2

3

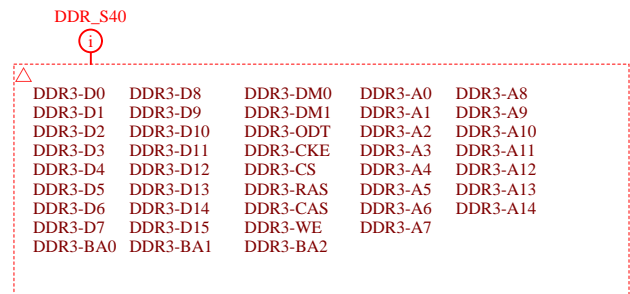
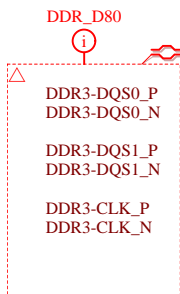
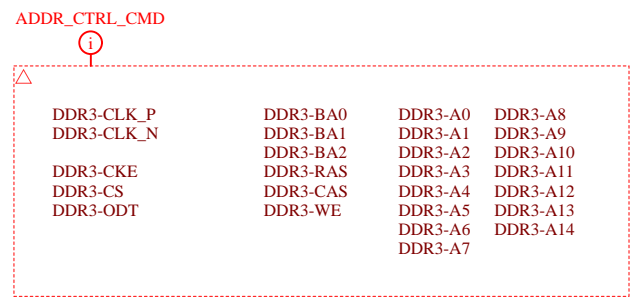
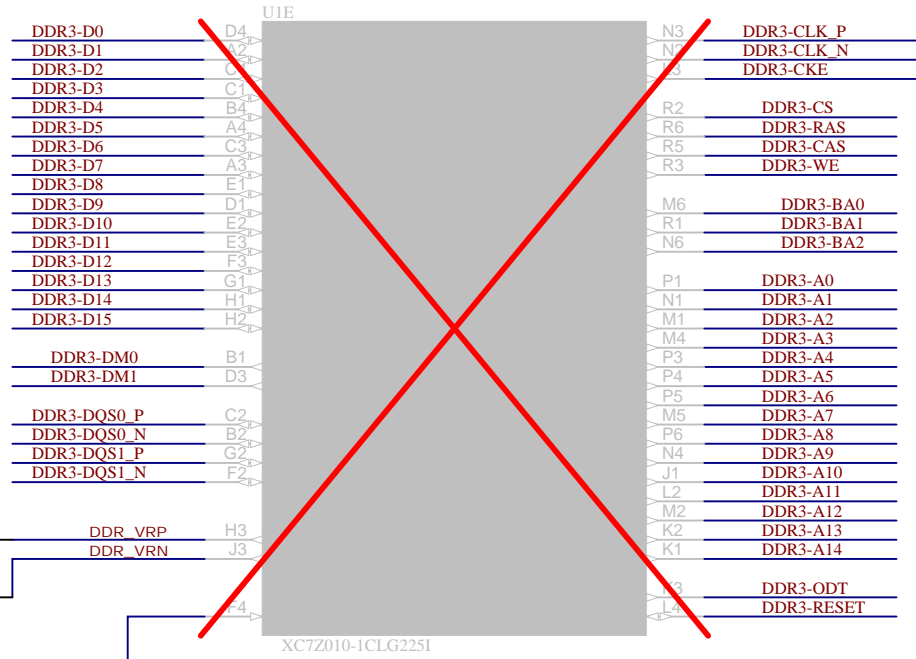
4



Title: TE0723 - FPGA MIO		
A4	Number: TE0723 TE0723_C1	Rev. 02
Date: 2015-11-06	Copyright: Trenz Electronic GmbH	Page 4 of 12
Filename: FPGA_MIO.SchDoc		



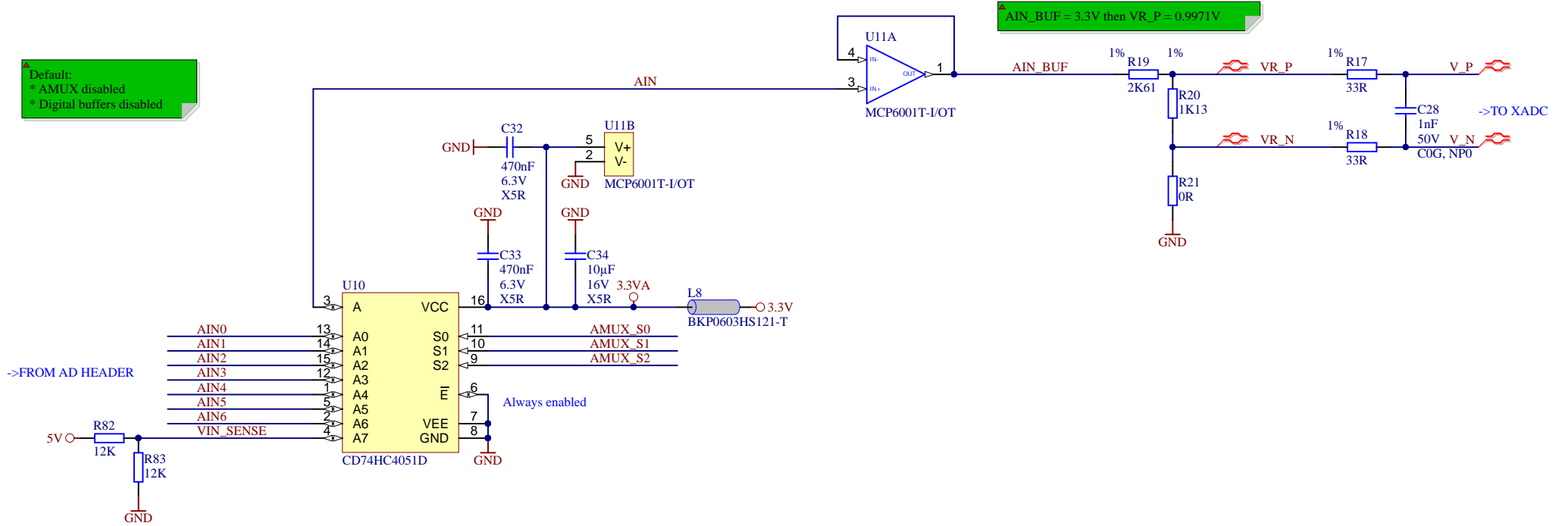
Title: TE0723 - FPGA PWR		
A4	Number: TE0723 TE0723_C1	Rev. 02
Date: 2015-11-06	Copyright: Trenz Electronic GmbH	Page5 of 12
Filename: FPGA_PWR.SchDoc		



Title: TE0723 - FPGA RAM		
A4	Number: TE0723 TE0723_C1	Rev. 02
Date: 2015-11-06	Copyright: Trenz Electronic GmbH	Page 6 of 12
Filename: FPGA_RAM.SchDoc		

Default:
 * AMUX disabled
 * Digital buffers disabled

AIN_BUF = 3.3V then VR_P = 0.9971V



	Title: TE0723 - Analog Input	
	A4	Number: TE0723 TE0723_C1
	Date: 2015-11-06	Copyright: Trenz Electronic GmbH
	Rev. 02	Page 7 of 12
Filename: Analog.SchDoc		

A

A

B

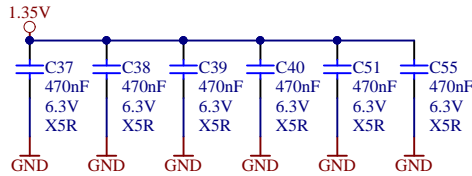
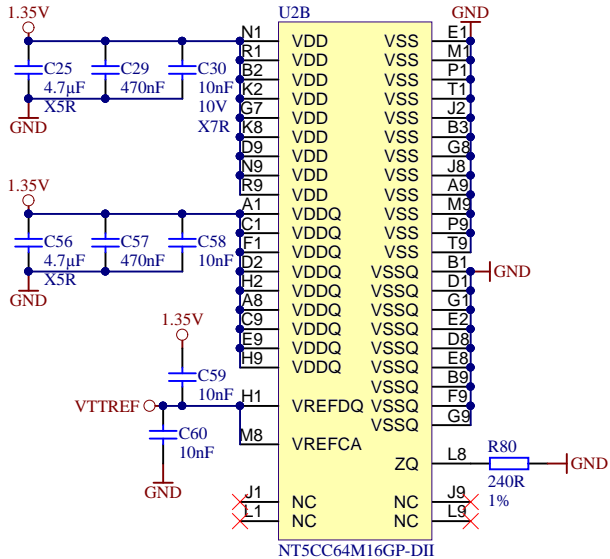
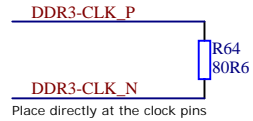
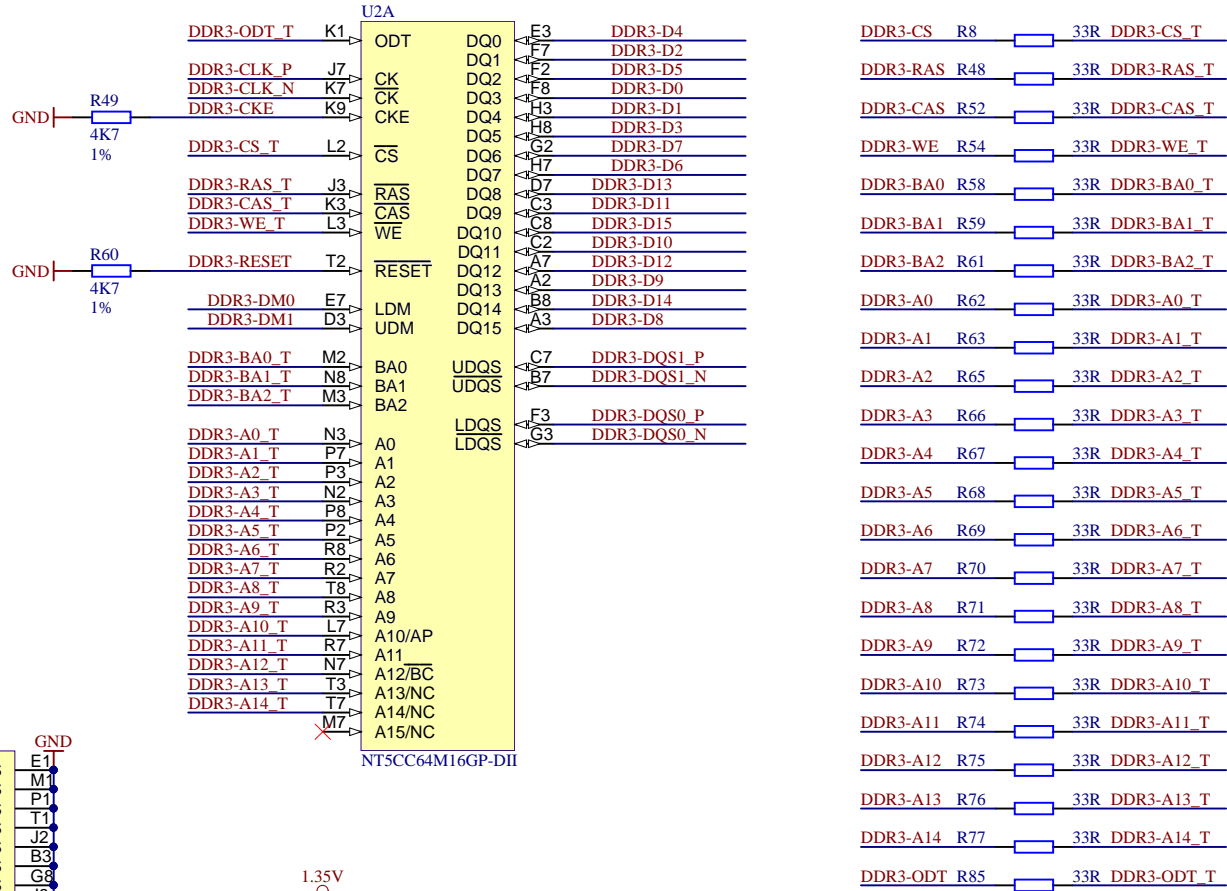
B

C

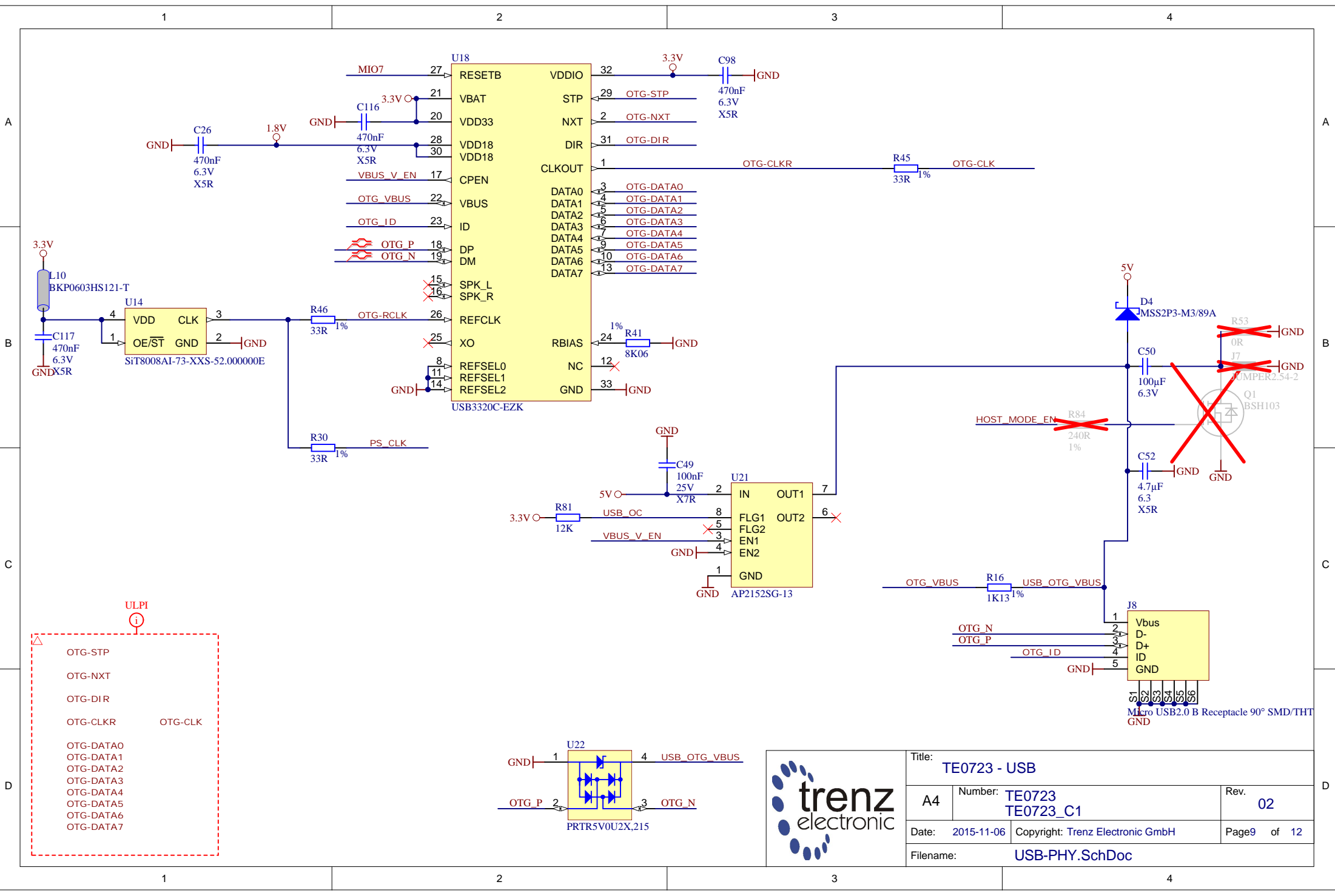
C

D

D



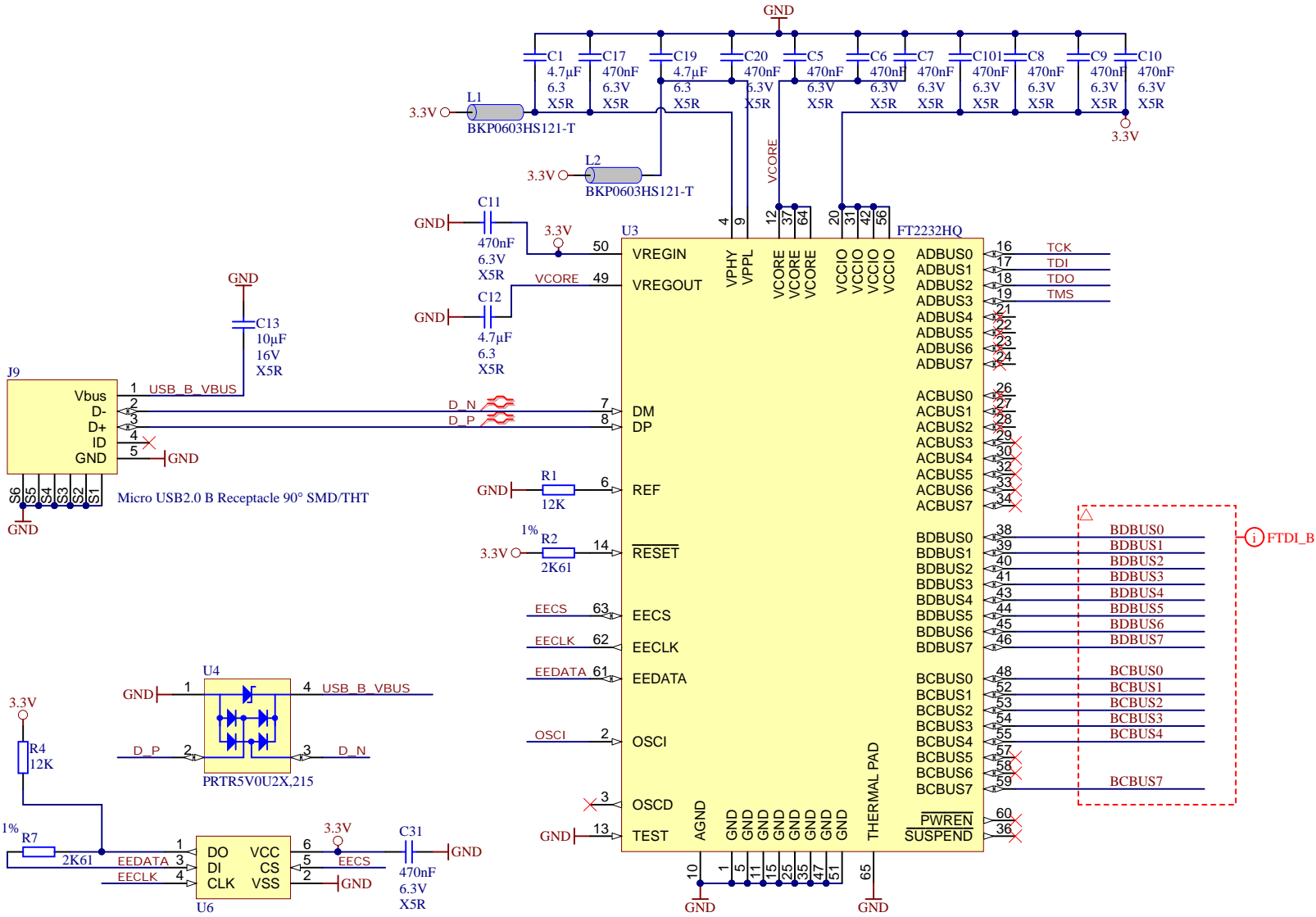
Title: TE0723 - DDR Memory		
A4	Number: TE0723 TE0723_C1	Rev. 02
Date: 2015-11-06	Copyright: Trenz Electronic GmbH	Page8 of 12
Filename: DDR3-RAM.SchDoc		



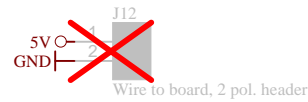
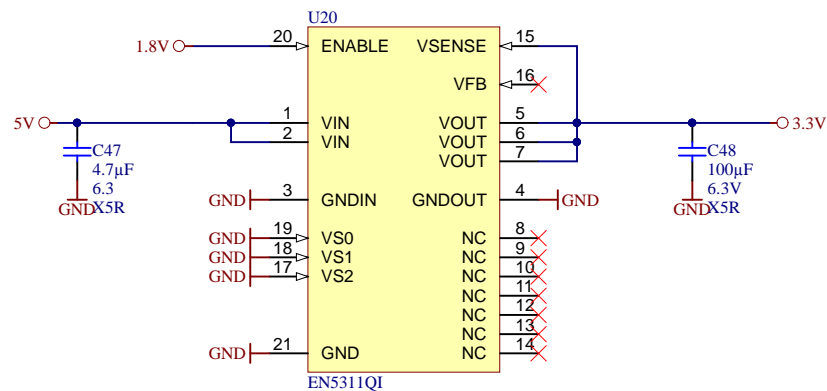
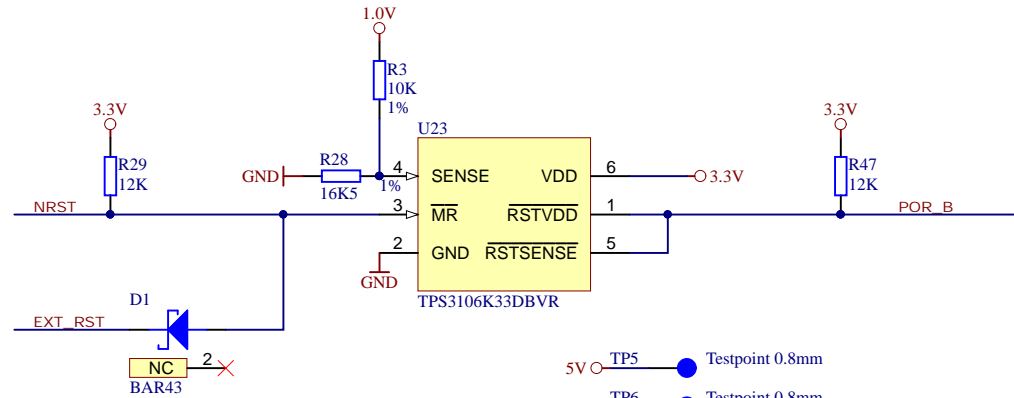
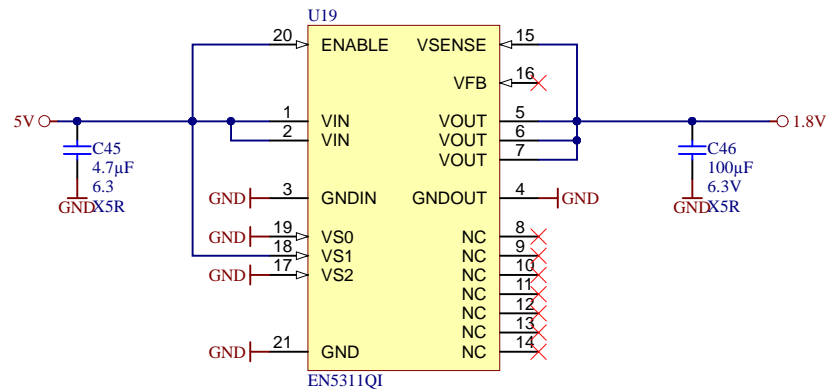
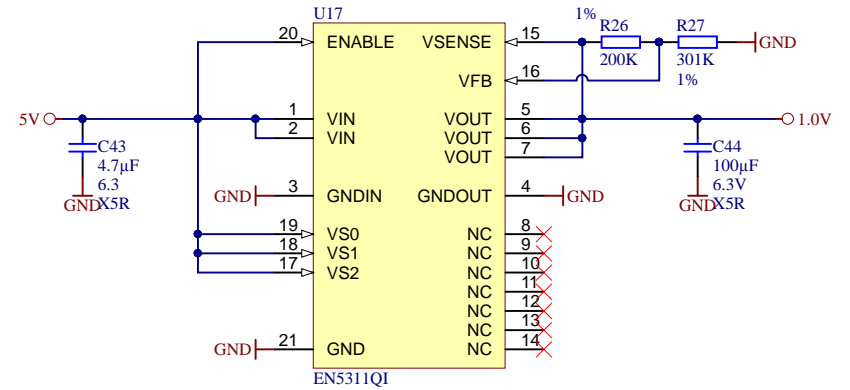
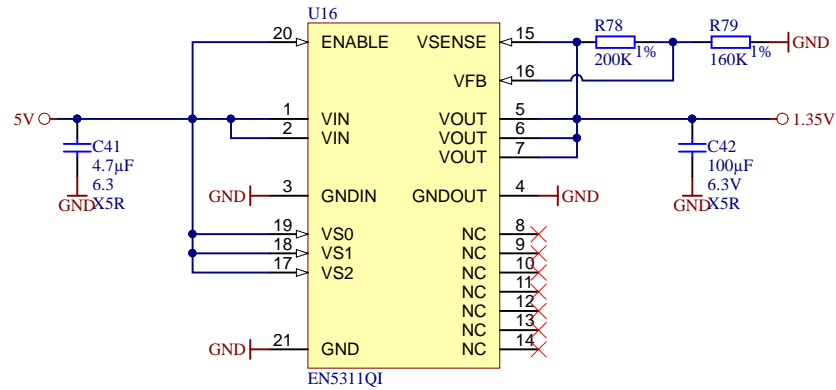
- ULPI
- OTG-STP
 - OTG-NXT
 - OTG-DIR
 - OTG-CLKR
 - OTG-CLK
 - OTG-DATA0
 - OTG-DATA1
 - OTG-DATA2
 - OTG-DATA3
 - OTG-DATA4
 - OTG-DATA5
 - OTG-DATA6
 - OTG-DATA7



Title: TE0723 - USB		
A4	Number: TE0723 TE0723_C1	Rev. 02
Date: 2015-11-06	Copyright: Trenz Electronic GmbH	Page9 of 12
Filename: USB-PHY.SchDoc		

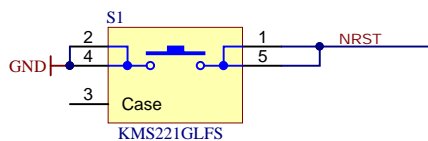
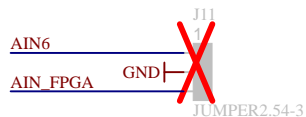
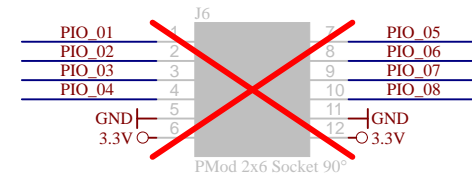
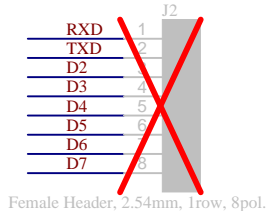
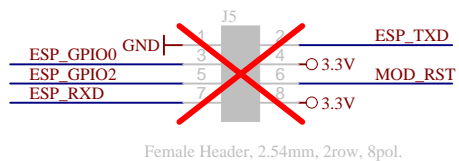
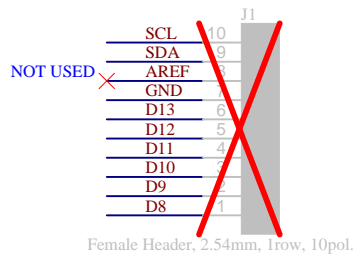
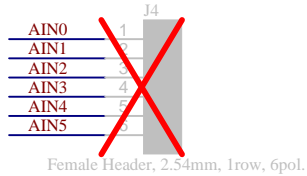
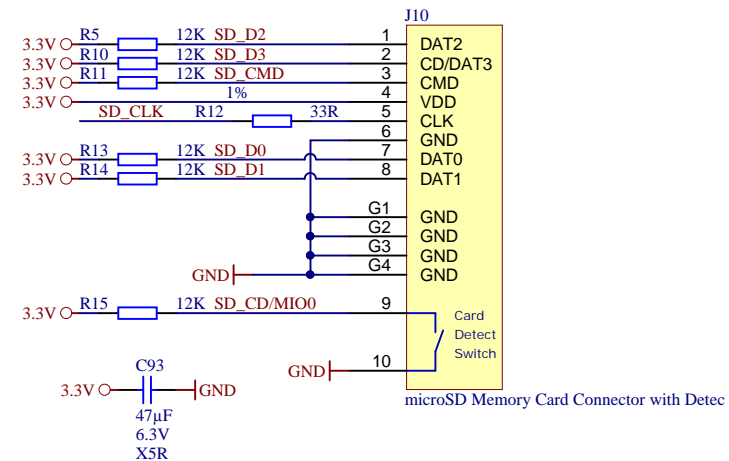
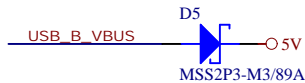
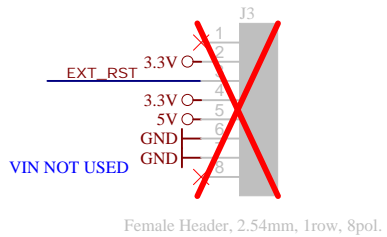


Title: TE0723 - FTDI		
A4	Number: TE0723 TE0723_C1	Rev. 02
Date: 2015-11-06	Copyright: Trenz Electronic GmbH	Page 10 of 12
Filename: FTDI.SchDoc		



- 5V ○ TP5 ● Testpoint 0.8mm
- 3.3V ○ TP6 ● Testpoint 0.8mm
- 1.8V ○ TP7 ● Testpoint 0.8mm
- 1.35V ○ TP8 ● Testpoint 0.8mm
- 1.0V ○ TP9 ● Testpoint 0.8mm
- GND ○ TP10 ● Testpoint 0.8mm
- GND ○ TP11 ● Testpoint 0.8mm
- GND ○ TP12 ● Testpoint 0.8mm
- GND ○ TP13 ● Testpoint 0.8mm

		Title: TE0723 - PowerSupply	
		A4	Number: TE0723 TE0723_C1
Date: 2015-11-06		Copyright: Trenz Electronic GmbH	
Filename: PowerSupply.SchDoc		Page 11 of 12	



Title: TE0723 - Connectors		
A4	Number: TE0723 TE0723_C1	Rev. 02
Date: 2015-11-06	Copyright: Trenz Electronic GmbH	Page 12 of 12
Filename: A-Headers.SchDoc		