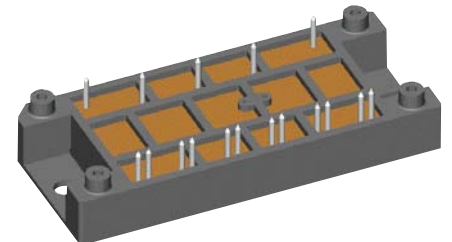
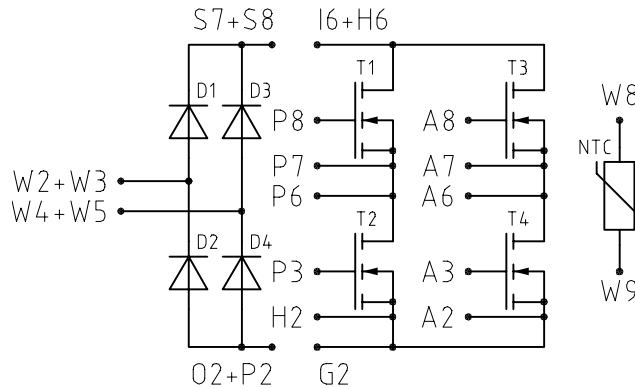


Module with HiPerFET™ H-Bridge and Single Phase Mains Rectifier Bridge

Preliminary data

 $V_{DSS} = 500\text{ V}$
 $R_{DSon} = 116\text{ m}\Omega$
 $V_{RRM} = 1200\text{ V}$
 $I_{DAV25} = 90\text{ A}$


pin configuration see outlines

Mains Rectifier Bridge D1 - D4

Symbol	Conditions	Maximum Ratings	
V_{RRM}		1200	V
I_{FAV25}	$T_C = 25^\circ\text{C}$; sine 180°	45	A
I_{FAV80}	$T_C = 80^\circ\text{C}$; sine 180°	33	A
I_{FSM}	$T_{VJ} = 25^\circ\text{C}$; $t = 10\text{ ms}$ sine 50 Hz	400	A

Symbol	Conditions	Characteristic Values ($T_{VJ} = 25^\circ\text{C}$, unless otherwise specified)			
		min.	typ.	max.	
V_F	$I_F = 20\text{ A}$	$T_{VJ} = 25^\circ\text{C}$	1.1	1.2	V
		$T_{VJ} = 125^\circ\text{C}$	1.0		V
I_R	$V_R = V_{RRM}$	$T_{VJ} = 25^\circ\text{C}$	0.4	0.02	mA
		$T_{VJ} = 125^\circ\text{C}$			mA
R_{thJC}	(per diode)			1.42	K/W
R_{thJS}	with heat transfer paste		2.8		K/W

Application

- primary side of mains supplied
- welding converters
 - switched mode power supplies
 - induction heaters

Features

- H-bridge with HiPerFET™ technology:
 - low R_{DSon}
 - unclamped inductive switching (UIS) capability
 - dv/dt ruggedness
 - fast intrinsic reverse diode
 - Kelvin source for easy drive
 - low inductive, symmetrical current paths
- thermistor for internal temperature measurement
- package:
 - high level of integration - only one power semiconductor module required for the whole primary side
 - solder terminals for PCB mounting
 - isolated DCB ceramic base plate

MOSFET H - Bridge T1 - T4

Symbol	Conditions	Maximum Ratings	
V_{DSS}	$T_{VJ} = 25^{\circ}\text{C}$ to 150°C	500	V
V_{GS}		± 20	V
I_{D25}	$T_C = 25^{\circ}\text{C}$	40	A
I_{D80}	$T_C = 80^{\circ}\text{C}$	30	A
I_{F25}	(diode) $T_C = 25^{\circ}\text{C}$	40	A
I_{F80}	(diode) $T_C = 80^{\circ}\text{C}$	30	A

Symbol	Conditions	Characteristic Values ($T_{VJ} = 25^{\circ}\text{C}$, unless otherwise specified)		
		min.	typ.	max.
R_{Dson}	$V_{GS} = 10\text{ V}; I_D = I_{D80}$			116 m Ω
V_{GSth}	$V_{DS} = 20\text{ V}; I_D = 8\text{ mA}$	2		4 V
I_{DSS}	$V_{DS} = 0.8 \cdot V_{DSS}; V_{GS} = 0\text{ V}; T_{VJ} = 25^{\circ}\text{C}$ $T_{VJ} = 125^{\circ}\text{C}$		0.5	0.4 mA mA
I_{GSS}	$V_{GS} = \pm 20\text{ V}; V_{DS} = 0\text{ V}$			0.2 μA
Q_g Q_{gs} Q_{gd}	} $V_{GS} = 10\text{ V}; V_{DS} = 0.5 \cdot V_{DSS}; I_D = 20\text{ A}$		270	nC
			56	nC
			124	nC
$t_{d(on)}$ t_r $t_{d(off)}$ t_f	} $V_{GS} = 10\text{ V}; V_{DS} = 0.5 \cdot V_{DSS};$ $I_D = 20\text{ A}; R_G = 1\ \Omega$		50	ns
			100	ns
			100	ns
			80	ns
V_F	(diode) $I_F = 20\text{ A}; V_{GS} = 0\text{ V}$			1.5 V
t_{rr}	(diode) $I_F = 40\text{ A}; -di/dt = 200\text{ A}/\mu\text{s}; V_{DS} = 100\text{ V}$	300		ns
R_{thJC} R_{thJS}	with heat transfer paste			0.32 K/W
			0.47	

Temperature Sensor NTC

Symbol	Conditions	Characteristic Values		
		min.	typ.	max.
R_{25} $B_{25/100}$	$T = 25^{\circ}\text{C}$	1950	2057 3560	Ω K

Module

Symbol	Conditions	Maximum Ratings	
T_{VJ}		-40...+150	°C
T_{stg}		-40...+125	°C
V_{ISOL}	$I_{ISOL} \leq 1 \text{ mA}; 50/60 \text{ Hz}; t = 1 \text{ min}$	3000	V~
M_d	Mounting torque (M5)	2 - 2.5	Nm

Symbol	Conditions	Characteristic Values		
		$(T_{VJ} = 25^\circ\text{C}, \text{ unless otherwise specified})$		
		min.	typ.	max.
d_s	Creepage distance on surface	8		mm
d_A	Strike distance through air	8		mm
Weight	typ.		80	g

Dimensions in mm (1 mm = 0.0394")

