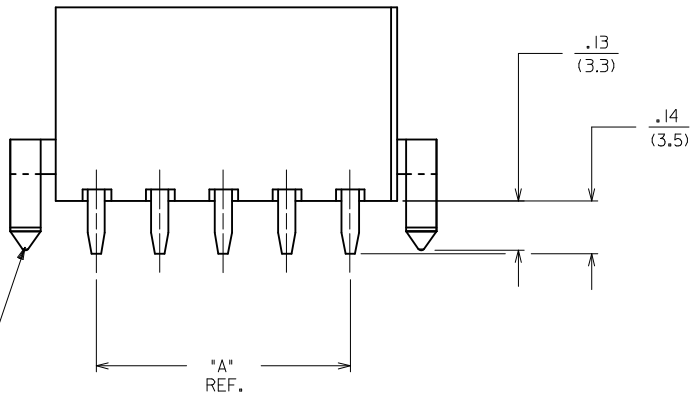


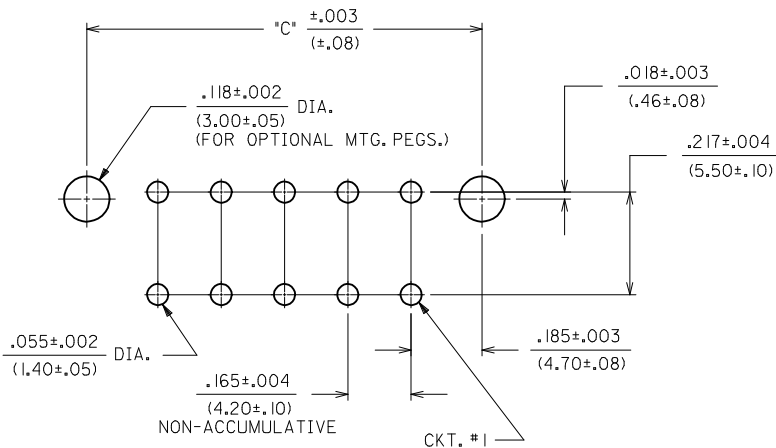
CIRCUIT SIZE	DIM. "A"	DIM. "B"	DIM. "C"
2	—	.21 (5.4)	.370 (9.40)
4	.17 (4.2)	.38 (9.6)	.535 (13.60)
6	.33 (8.4)	.54 (13.8)	.701 (17.80)
8	.50 (12.6)	.71 (18.0)	.866 (22.00)
10	.66 (16.8)	.87 (22.2)	1.031 (26.20)
12	.83 (21.0)	1.04 (26.4)	1.197 (30.40)
14	.99 (25.2)	1.20 (30.6)	1.362 (34.60)
16	1.16 (29.4)	1.37 (34.8)	1.528 (38.80)
18	1.32 (33.6)	1.54 (39.0)	1.693 (43.00)
20	1.49 (37.8)	1.70 (43.2)	1.858 (47.20)
22	1.65 (42.0)	1.87 (47.4)	2.024 (51.40)
24	1.82 (46.2)	2.03 (51.6)	2.189 (55.60)

NOTES

- HOUSING MATERIAL:
 - A - NYLON 6/6, UNFILLED U.L. 94V-2, COLOR: NATURAL.
 - B - NYLON 6/6, UNFILLED U.L. 94V-0, COLOR: NATURAL.
- TERMINAL MATERIAL: BRASS ALLOY
- TERMINAL PLATING
 - GS - .000030 MIN. SELECT GOLD AND .000100 MIN. SELECT MATTE TIN OVER .000050 MIN. NICKEL OVERALL.
 - S - .000100 MIN. BRIGHT TIN OVER .000050 MIN. NICKEL OVERALL.
 - C - .000100 MIN. MATTE TIN OVER .000050 MIN. NICKEL OVERALL.
- PRODUCT SPECIFICATION: PS-5556-001
- PACKAGING SPECIFICATION: SEE CHART
- PART MATES WITH MINI-FIT JR. RECEPTACLE #5557.
- CONNECTOR ASSEMBLIES ARE NOT TO BE MATED OR UNMATED WHILE CIRCUITS ARE LIVE.
- HOUSING STYLE
 - 1 - WITHOUT PEGS
 - 3 - WITH PEGS
- PARTS ARE NOT DESIGNED FOR CURRENT SHARING.
- THIS DIMENSION APPLIES TO DUAL AND SINGLE ROW 4 THRU 24 CIRCUIT PARTS THIS DIMENSION IS .490/(12.45) FOR 3 CIRCUIT SINGLE ROW PARTS ONLY.
- PART CONFORMS TO CLASS "B" REQUIREMENTS OF COSMETIC SPECIFICATION PS-45499-002
- 5 CIRCUIT PARTS HAVE PEG DESIGN B. ALL OTHER CIRCUIT SIZES HAVE PEG DESIGN A.
- TEXT ON PART IS FOR REFERENCE ONLY. TEXT AND TEXT LOCATION MAY VARY DEPENDING ON PART NUMBER AND/OR TOOL.

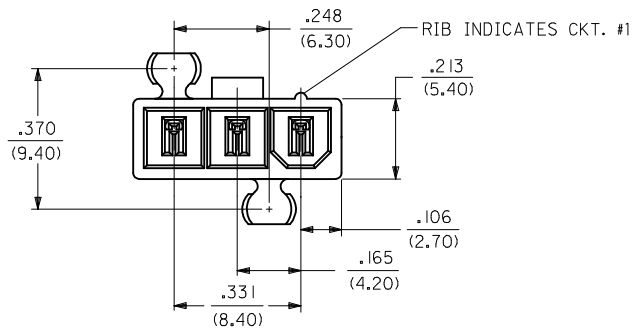
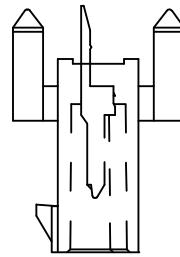
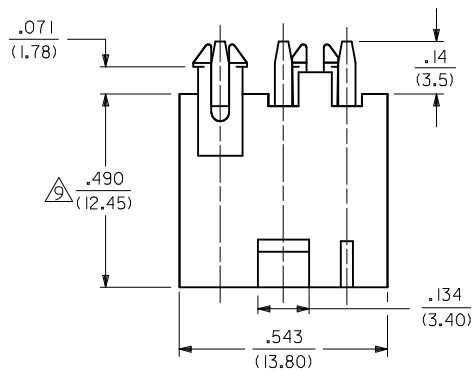


OPTIONAL MOUNTING PEGS

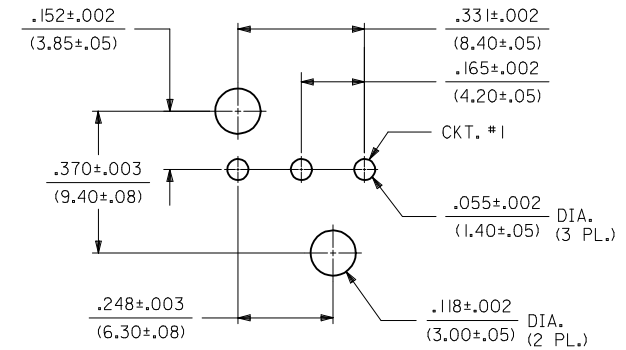


RECOMMENDED P.C. BOARD LAYOUT
VIEWED FROM COMPONENT SIDE

ADD 2 & 6 CKT EC NO: UCP2017-1480 DRWING: SLAFTER 2016/08/18 CHKD: JBELL 2016/08/18 APPR: FSMITH 2017/02/01	QUALITY SYMBOLS ▽=0 ▽=0 ▽=0	GENERAL TOLERANCES (UNLESS SPECIFIED)		DIMENSION STYLE IN/MM		SCALE 4:1	DESIGN UNITS METRIC	THIRD ANGLE PROJECTION	
		mm	INCH	DRAWN BY RJF	DATE 10/04/88	VERTICAL HDR. ASSEMBLIES WITH MIXED TERM. PLATING (MINI-FIT JR. SERIES)			
4 PLACES ±---	±---	CHECKED BY JTR	DATE 10/04/88						
3 PLACES ±---	±.015	APPROVED BY FSMITH	DATE 2011/01/17	molex					
2 PLACES ±0.38	±.020	MATERIAL NO. SEE CHART						DOCUMENT NO. SDA-42382-****	SHEET NO. 1 OF 3
1 PLACE ±0.50	±---	ANGULAR ±1/2°		THIS DRAWING CONTAINS INFORMATION THAT IS PROPRIETARY TO MOLEX INCORPORATED AND SHOULD NOT BE USED WITHOUT WRITTEN PERMISSION					
0 PLACE ±	±	DRAFT WHERE APPLICABLE MUST REMAIN WITHIN DIMENSIONS							



3-CIRCUIT VERTICAL SINGLE ROW HEADER ASSEMBLY
(PART SHOWN FULLY LOADED)



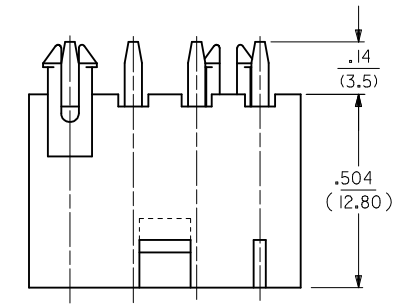
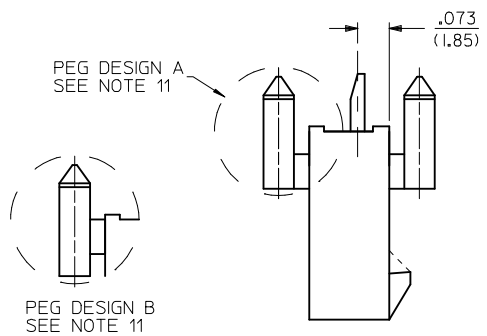
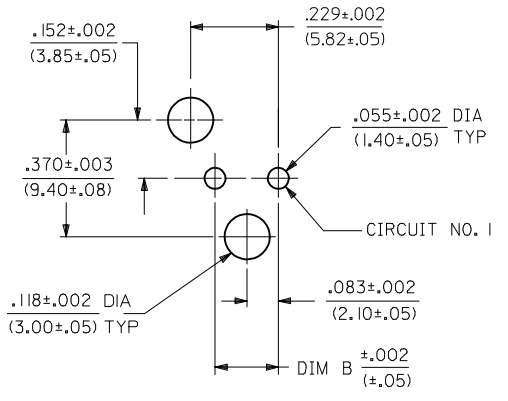
RECOMMENDED P.C. BOARD LAYOUT FOR 3-CKT. HEADER WITH PEGS.
VIEWED FROM COMPONENT SIDE

SEE SHEET 1 EC NO: UCP2017-1480 DRWNG: SLAFTR 2016/08/18 CHKD: JBELL 2016/08/18 APPR: FSMITH 2017/02/01	DESCRIPTION REV L9	QUALITY SYMBOLS	GENERAL TOLERANCES (UNLESS SPECIFIED)	DIMENSION STYLE	SCALE	DESIGN UNITS	THIRD ANGLE PROJECTION																																				
		$\nabla = 0$ $\nabla = 0$ $\nabla = 0$	<table border="1"> <tr> <th></th> <th>mm</th> <th>INCH</th> </tr> <tr> <td>4 PLACES</td> <td>± .15</td> <td>± .005</td> </tr> <tr> <td>3 PLACES</td> <td>± .10</td> <td>± .003</td> </tr> <tr> <td>2 PLACES</td> <td>± 0.38</td> <td>± .020</td> </tr> <tr> <td>1 PLACE</td> <td>± 0.50</td> <td>± .030</td> </tr> <tr> <td>0 PLACE</td> <td>±</td> <td>±</td> </tr> </table>		mm	INCH	4 PLACES	± .15	± .005	3 PLACES	± .10	± .003	2 PLACES	± 0.38	± .020	1 PLACE	± 0.50	± .030	0 PLACE	±	±	<table border="1"> <tr> <th>IN/MM</th> <th>DRAWN BY</th> <th>DATE</th> </tr> <tr> <td>IN/MM</td> <td>RJF</td> <td>10/04/88</td> </tr> <tr> <td>IN/MM</td> <th>CHECKED BY</th> <th>DATE</th> </tr> <tr> <td>IN/MM</td> <td>JTR</td> <td>10/04/88</td> </tr> <tr> <td>IN/MM</td> <th>APPROVED BY</th> <th>DATE</th> </tr> <tr> <td>IN/MM</td> <td>FSMITH</td> <td>2011/01/17</td> </tr> </table>	IN/MM	DRAWN BY	DATE	IN/MM	RJF	10/04/88	IN/MM	CHECKED BY	DATE	IN/MM	JTR	10/04/88	IN/MM	APPROVED BY	DATE	IN/MM	FSMITH	2011/01/17	4:1	METRIC	
			mm	INCH																																							
		4 PLACES	± .15	± .005																																							
3 PLACES	± .10	± .003																																									
2 PLACES	± 0.38	± .020																																									
1 PLACE	± 0.50	± .030																																									
0 PLACE	±	±																																									
IN/MM	DRAWN BY	DATE																																									
IN/MM	RJF	10/04/88																																									
IN/MM	CHECKED BY	DATE																																									
IN/MM	JTR	10/04/88																																									
IN/MM	APPROVED BY	DATE																																									
IN/MM	FSMITH	2011/01/17																																									
ANGULAR ±1/2° DRAFT WHERE APPLICABLE MUST REMAIN WITHIN DIMENSIONS				MATERIAL NO. SEE CHART		TITLE VERTICAL HDR. ASSEMBLIES WITH MIXED TERM. PLATING (MINI-FIT JR. SERIES) 																																					
				DOCUMENT NO. SDA-42382-****		SHEET NO. 2 OF 3																																					

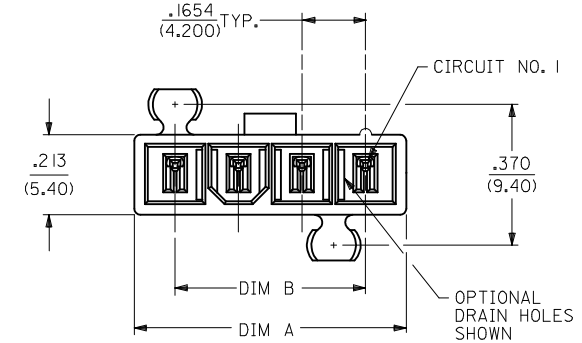
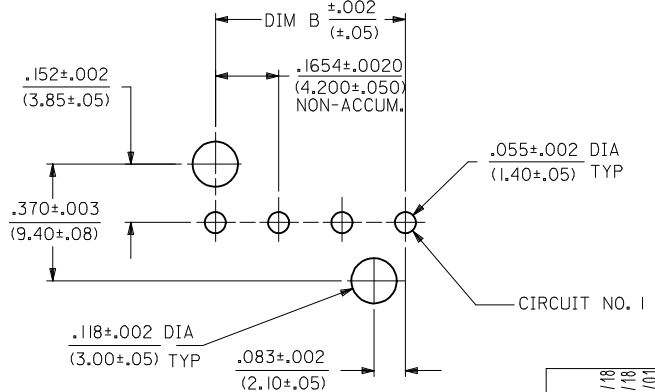
PART NO.	ENG. NO.	CKT SIZE	HSG ROW STYLE	CHARACTERISTIC DESCRIPTION	PACKAGING PER	TERMINAL PLATING REQUIRED AT EACH CIRCUIT LOCATION: V = VOID																							
						1	2	3	4	5	6	7	8	9	10	11	12	13	14	15	16	17	18	19	20	21	22	23	24
423820022	A-42382-0022	05	SINGLE	05B3C	PK-5566-002	S	V	V	S	V	-	-	-	-	-	-	-	-	-	-	-	-	-	-	-	-	-		
423820023	A-42382-0023	04	SINGLE	04A3C	PK-5566-002	S	V	V	S	-	-	-	-	-	-	-	-	-	-	-	-	-	-	-	-	-	-		
423820024	A-42382-0024	05	SINGLE	05B3C	PK-5566-002	S	V	V	S	S	-	-	-	-	-	-	-	-	-	-	-	-	-	-	-	-	-		
423820026	42382-0026	05	SINGLE	05B3C	PK-5566-002	S	V	S	V	S	-	-	-	-	-	-	-	-	-	-	-	-	-	-	-	-	-		
423820027	42382-0027	08	DUAL	08A1C	PK-5566-001	S	V	V	S	S	V	V	S	-	-	-	-	-	-	-	-	-	-	-	-	-	-		
423820028	42382-0028	05	SINGLE	05B3D	PK-5566-002	C	V	V	V	C	-	-	-	-	-	-	-	-	-	-	-	-	-	-	-	-	-		
423820029	42382-0029	05	SINGLE	05B3A	PK-5566-002	GS	V	GS	V	GS	V	GS	-	-	-	-	-	-	-	-	-	-	-	-	-	-	-		
423820030	42382-0030	08	DUAL	08B3A	PK-5566-001	GS	V	GS	V	V	GS	V	GS	-	-	-	-	-	-	-	-	-	-	-	-	-	-		
423820031	42382-0031	18	DUAL	18B1D	PK-5566-001	C	C	V	C	C	V	C	C	V	C	C	V	C	C	V	C	C	V	C	C	V	C		
423820032	42382-0032	04	SINGLE	04B3A	PK-5566-002	GS	V	V	GS	-	-	-	-	-	-	-	-	-	-	-	-	-	-	-	-	-	-		

CHARACTERISTICS LEGEND:

CIRCUIT SIZE _____
 (02-24)
 HOUSING MATERIAL _____
 A = 94V-2,NATURAL
 B = 94V-0,NATURAL
 HOUSING STYLE _____
 1 = W/O PEGS
 3 = W/ PEGS
 PLATING _____
 A = 30 M.I. SEL. GOLD
 C = 100 M.I. BRIGHT TIN OVER NICKEL.
 D = 100 M.I. MATTE TIN OVER NICKEL.



RECOMMENDED HOLE LAYOUT FOR
 .070/(1.78) MAX. THICK P. C. BOARD
 VIEWED FROM COMPONENT SIDE
 FOR 2 CIRCUIT SINGLE ROW HEADER



VIEWS APPLY TO 2 AND 4 TO 6 CIRCUIT SINGLE ROW HEADER ASSEMBLIES
 (PART SHOWN FULLY LOADED)

CKT SIZE	DIM A	DIM B
2	.378 (9.60)	.165 (4.20)
4	.709 (18.00)	.496 (12.60)
5	.874 (22.20)	.661 (16.80)
6	1.040 (26.40)	.827 (21.00)

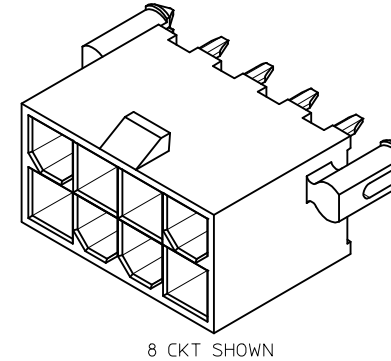
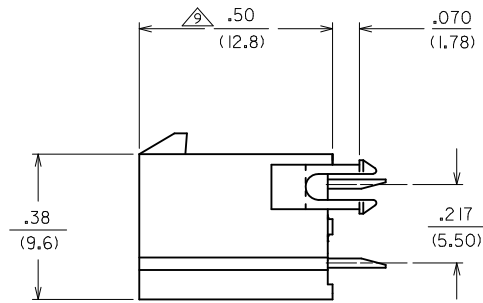
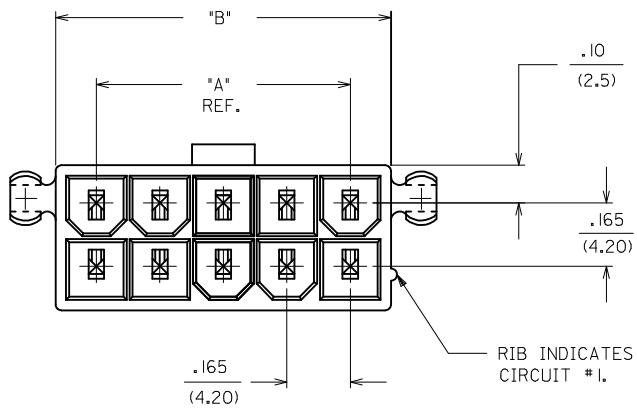
RECOMMENDED HOLE LAYOUT FOR
 .070/(1.78) MAX. THICK P. C. BOARD
 VIEWED FROM COMPONENT SIDE
 FOR 4 TO 6 CIRCUIT SINGLE ROW HEADER

REV	DESCRIPTION	DATE	APPROVED
1	SEE SHEET 1	2016/08/18	
2	DRWING SLAFTER	2016/08/18	
3	CHKD:JBELL	2016/08/18	
4	APPR:FSMITH	2017/02/01	

QUALITY SYMBOLS	GENERAL TOLERANCES (UNLESS SPECIFIED)	ANGLE
▽=0	4 PLACES ± ---	ANGULAR ±1/2°
▽=0	3 PLACES ± --- ±.015	
▽=0	2 PLACES ± 0.38 ±.020	
	1 PLACE ± 0.50 ± ---	
	0 PLACE ± ± ---	

IN/MM	DATE
DRAWN BY: RJF	10/04/88
CHECKED BY: JTR	10/04/88
APPROVED BY: FSMITH	2011/01/17

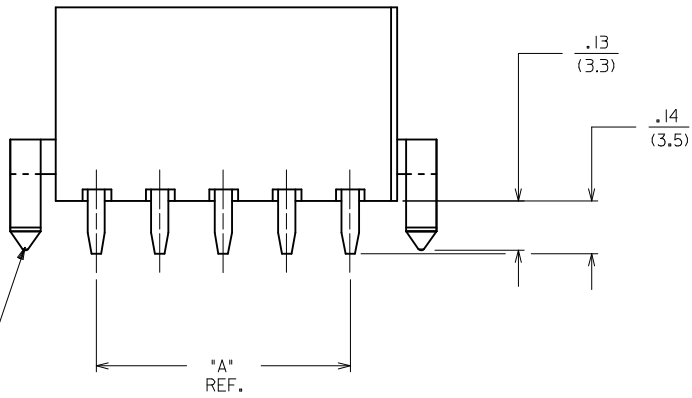
SCALE	DESIGN UNITS	THIRD ANGLE PROJECTION
4:1	METRIC	
VERTICAL HDR. ASSEMBLIES WITH MIXED TERM. PLATING (MINI-FIT JR. SERIES)		
molex		
DOCUMENT NO. SDA-42382-****	SHEET NO. 3 OF 3	
THIS DRAWING CONTAINS INFORMATION THAT IS PROPRIETARY TO MOLEX INCORPORATED AND SHOULD NOT BE USED WITHOUT WRITTEN PERMISSION		



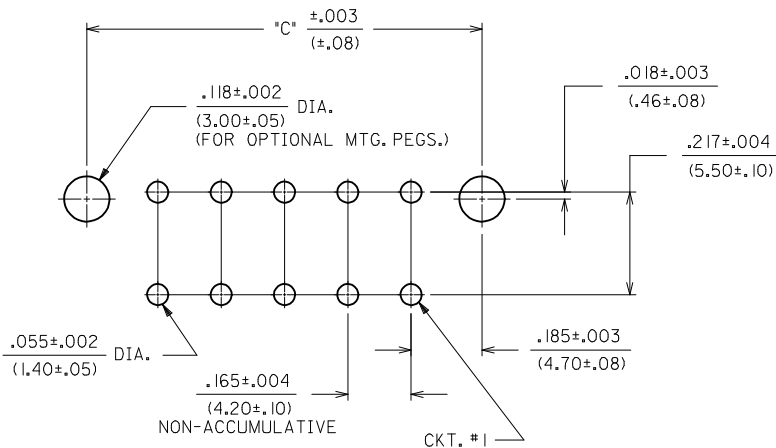
CIRCUIT SIZE	DIM. "A"	DIM. "B"	DIM. "C"
2	—	.21 (5.4)	.370 (9.40)
4	.17 (4.2)	.38 (9.6)	.535 (13.60)
6	.33 (8.4)	.54 (13.8)	.701 (17.80)
8	.50 (12.6)	.71 (18.0)	.866 (22.00)
10	.66 (16.8)	.87 (22.2)	1.031 (26.20)
12	.83 (21.0)	1.04 (26.4)	1.197 (30.40)
14	.99 (25.2)	1.20 (30.6)	1.362 (34.60)
16	1.16 (29.4)	1.37 (34.8)	1.528 (38.80)
18	1.32 (33.6)	1.54 (39.0)	1.693 (43.00)
20	1.49 (37.8)	1.70 (43.2)	1.858 (47.20)
22	1.65 (42.0)	1.87 (47.4)	2.024 (51.40)
24	1.82 (46.2)	2.03 (51.6)	2.189 (55.60)

NOTES

- HOUSING MATERIAL:
 - A - NYLON 6/6, UNFILLED U.L. 94V-2, COLOR: NATURAL.
 - B - NYLON 6/6, UNFILLED U.L. 94V-0, COLOR: NATURAL.
- TERMINAL MATERIAL: BRASS ALLOY
- TERMINAL PLATING
 - GS - .000030 MIN. SELECT GOLD AND .000100 MIN. SELECT MATTE TIN OVER .000050 MIN. NICKEL OVERALL.
 - S - .000100 MIN. BRIGHT TIN OVER .000050 MIN. NICKEL OVERALL.
 - C - .000100 MIN. MATTE TIN OVER .000050 MIN. NICKEL OVERALL.
- PRODUCT SPECIFICATION: PS-5556-001
- PACKAGING SPECIFICATION: SEE CHART
- PART MATES WITH MINI-FIT JR. RECEPTACLE #5557.
- CONNECTOR ASSEMBLIES ARE NOT TO BE MATED OR UNMATED WHILE CIRCUITS ARE LIVE.
- HOUSING STYLE
 - 1 - WITHOUT PEGS
 - 3 - WITH PEGS
- PARTS ARE NOT DESIGNED FOR CURRENT SHARING.
- THIS DIMENSION APPLIES TO DUAL AND SINGLE ROW 4 THRU 24 CIRCUIT PARTS THIS DIMENSION IS .490/(12.45) FOR 3 CIRCUIT SINGLE ROW PARTS ONLY.
- PART CONFORMS TO CLASS "B" REQUIREMENTS OF COSMETIC SPECIFICATION PS-45499-002
- 5 CIRCUIT PARTS HAVE PEG DESIGN B. ALL OTHER CIRCUIT SIZES HAVE PEG DESIGN A.
- TEXT ON PART IS FOR REFERENCE ONLY. TEXT AND TEXT LOCATION MAY VARY DEPENDING ON PART NUMBER AND/OR TOOL.

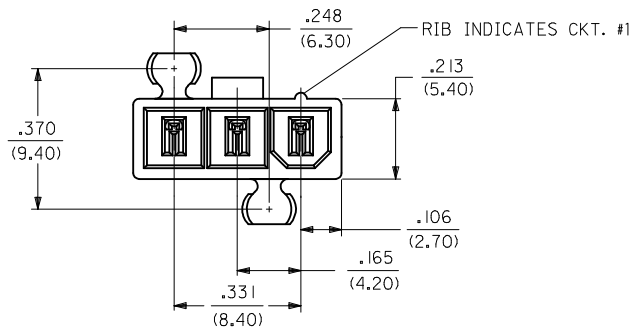
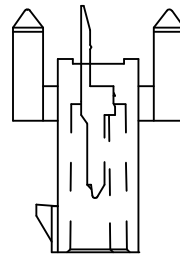
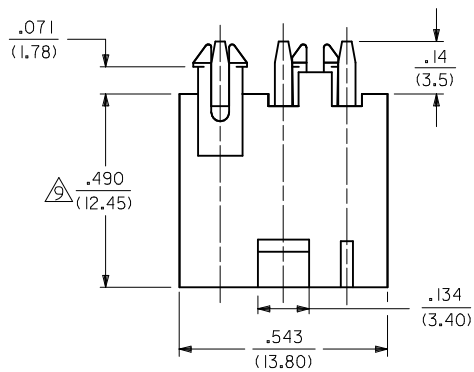


OPTIONAL MOUNTING PEGS

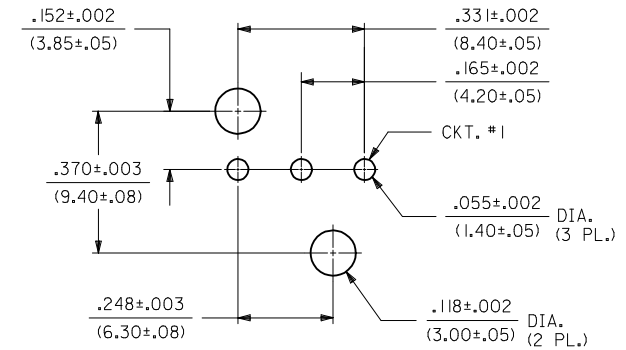


RECOMMENDED P.C. BOARD LAYOUT
VIEWED FROM COMPONENT SIDE

ADD 2 & 6 CKT EC NO: UCP2017-1480 DRWING: SLAFTER 2016/08/18 CHKD: JBELL 2016/08/18 APPR: FSMITH 2017/02/01 REV:	QUALITY SYMBOLS	GENERAL TOLERANCES (UNLESS SPECIFIED)	DIMENSION STYLE IN/MM	SCALE 4:1	DESIGN UNITS METRIC	THIRD ANGLE PROJECTION
	▽=0	mm INCH	DRAWN BY DATE	VERTICAL HDR. ASSEMBLIES WITH MIXED TERM. PLATING (MINI-FIT JR. SERIES)		
	▽=0	4 PLACES ± --- ± ---	RJF 10/04/88	molex DOCUMENT NO. SDA-42382-**** SHEET NO. 1 OF 3		
	▽=0	3 PLACES ± --- ±.015	CHECKED BY DATE			
		2 PLACES ± 0.38 ±.020	JTR 10/04/88			
		1 PLACE ± 0.50 ± ---	APPROVED BY DATE			
		0 PLACE ± ±	FSMITH 2011/01/17			
		ANGULAR ±1/2°	MATERIAL NO.			
		DRAFT WHERE APPLICABLE MUST REMAIN WITHIN DIMENSIONS	SEE CHART			
			SIZE C	THIS DRAWING CONTAINS INFORMATION THAT IS PROPRIETARY TO MOLEX INCORPORATED AND SHOULD NOT BE USED WITHOUT WRITTEN PERMISSION		



3-CIRCUIT VERTICAL SINGLE ROW HEADER ASSEMBLY
(PART SHOWN FULLY LOADED)



RECOMMENDED P.C. BOARD LAYOUT FOR 3-CKT. HEADER WITH PEGS.
VIEWED FROM COMPONENT SIDE

SEE SHEET 1 EC NO: UCP2017-1480 DRAWN: SLAFER 2016/08/18 CHKD: JBELL 2016/08/18 APPR: FSMITH 2017/02/01	DESCRIPTION REV	QUALITY SYMBOLS	GENERAL TOLERANCES (UNLESS SPECIFIED)	DIMENSION STYLE IN/MM	SCALE 4:1	DESIGN UNITS METRIC	THIRD ANGLE PROJECTION
		▽=0	mm INCH	DRAWN BY DATE RJF 10/04/88	TITLE VERTICAL HDR. ASSEMBLIES WITH MIXED TERM. PLATING (MINI-FIT JR. SERIES)		
		▽=0	4 PLACES ± --- ± ---	CHECKED BY DATE JTR 10/04/88			
		▽=0	3 PLACES ± --- ± .015	APPROVED BY DATE FSMITH 2011/01/17			
	2 PLACES ± 0.38 ± .020	MATERIAL NO.	DOCUMENT NO.				
		1 PLACE ± 0.50 ± ---	ANGULAR ±1/2°	SEE CHART			SHEET NO. 2 OF 3
		0 PLACE ± ±	DRAFT WHERE APPLICABLE MUST REMAIN WITHIN DIMENSIONS	SIZE C	THIS DRAWING CONTAINS INFORMATION THAT IS PROPRIETARY TO MOLEX INCORPORATED AND SHOULD NOT BE USED WITHOUT WRITTEN PERMISSION		

PART NO.	ENG. NO.	CKT SIZE	HSG ROW STYLE	CHARACTERISTIC DESCRIPTION	PACKAGING PER	TERMINAL PLATING REQUIRED AT EACH CIRCUIT LOCATION: V = VOID																							
						1	2	3	4	5	6	7	8	9	10	11	12	13	14	15	16	17	18	19	20	21	22	23	24
423820022	A-42382-0022	05	SINGLE	05B3C	PK-5566-002	S	V	V	S	V	-	-	-	-	-	-	-	-	-	-	-	-	-	-	-	-	-	-	
423820023	A-42382-0023	04	SINGLE	04A3C	PK-5566-002	S	V	V	S	-	-	-	-	-	-	-	-	-	-	-	-	-	-	-	-	-	-	-	
423820024	A-42382-0024	05	SINGLE	05B3C	PK-5566-002	S	V	V	S	S	-	-	-	-	-	-	-	-	-	-	-	-	-	-	-	-	-	-	
423820026	42382-0026	05	SINGLE	05B3C	PK-5566-002	S	V	S	V	S	-	-	-	-	-	-	-	-	-	-	-	-	-	-	-	-	-	-	
423820027	42382-0027	08	DUAL	08A1C	PK-5566-001	S	V	V	S	S	V	V	S	-	-	-	-	-	-	-	-	-	-	-	-	-	-	-	
423820028	42382-0028	05	SINGLE	05B3D	PK-5566-002	C	V	V	V	C	-	-	-	-	-	-	-	-	-	-	-	-	-	-	-	-	-	-	
423820029	42382-0029	05	SINGLE	05B3A	PK-5566-002	GS	V	GS	V	GS	V	GS	V	GS	-	-	-	-	-	-	-	-	-	-	-	-	-	-	
423820030	42382-0030	08	DUAL	08B3A	PK-5566-001	GS	V	GS	V	V	GS	V	GS	-	-	-	-	-	-	-	-	-	-	-	-	-	-	-	
423820031	42382-0031	18	DUAL	18B1D	PK-5566-001	C	C	V	C	C	V	C	C	V	C	C	V	C	C	V	C	C	-	-	-	-	-	-	
423820032	42382-0032	04	SINGLE	04B3A	PK-5566-002	GS	V	V	GS	-	-	-	-	-	-	-	-	-	-	-	-	-	-	-	-	-	-	-	

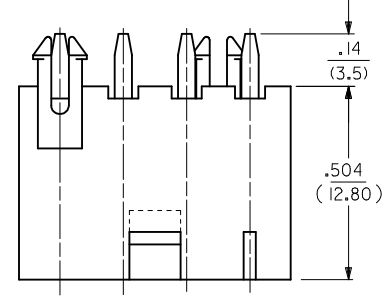
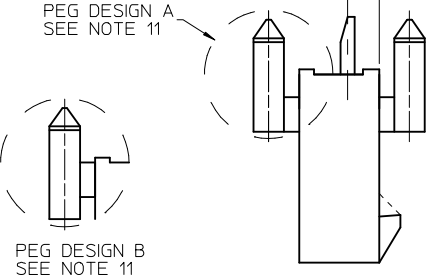
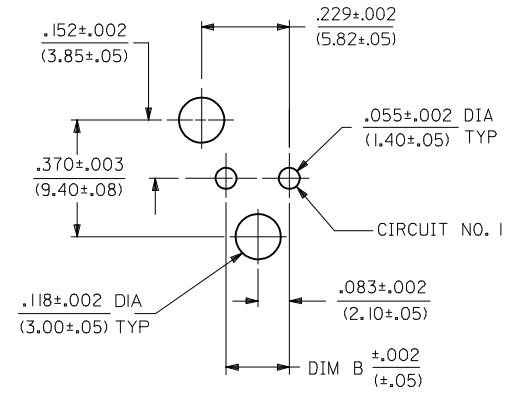
CHARACTERISTICS LEGEND:

CIRCUIT SIZE _____ (02-24)

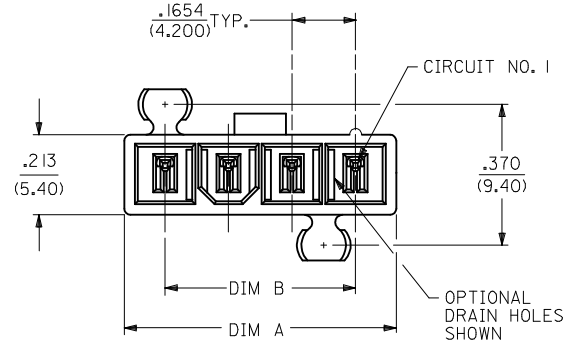
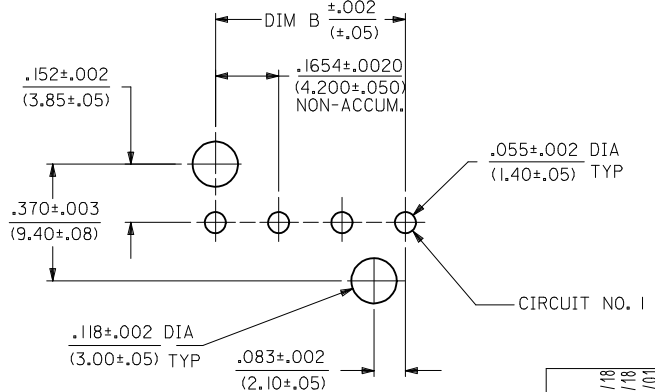
HOUSING MATERIAL _____
 A = 94V-2,NATURAL
 B = 94V-0,NATURAL

HOUSING STYLE _____
 1 = W/O PEGS
 3 = W/ PEGS

PLATING _____
 A = 30 M.I. SEL. GOLD
 C = 100 M.I. BRIGHT TIN OVER NICKEL.
 D = 100 M.I. MATTE TIN OVER NICKEL.



RECOMMENDED HOLE LAYOUT FOR
 .070/(1.78) MAX. THICK P. C. BOARD
 VIEWED FROM COMPONENT SIDE
 FOR 2 CIRCUIT SINGLE ROW HEADER



VIEWS APPLY TO 2 AND 4 TO 6 CIRCUIT SINGLE ROW HEADER ASSEMBLIES
 (PART SHOWN FULLY LOADED)

CKT SIZE	DIM A	DIM B
2	.378 (9.60)	.165 (4.20)
4	.709 (18.00)	.496 (12.60)
5	.874 (22.20)	.661 (16.80)
6	1.040 (26.40)	.827 (21.00)

RECOMMENDED HOLE LAYOUT FOR
 .070/(1.78) MAX. THICK P. C. BOARD
 VIEWED FROM COMPONENT SIDE
 FOR 4 TO 6 CIRCUIT SINGLE ROW HEADER

REV	DESCRIPTION
1	SEE SHEET 1
2	EC NO: UCP2017-1480
3	DRWINGSLAFTER 2016/08/18
4	CHKD:JBELL 2016/08/18
5	APPR:FSMITH 2017/02/01

QUALITY SYMBOLS	
▽=0	
▽=0	
▽=0	

GENERAL TOLERANCES (UNLESS SPECIFIED)	
4 PLACES ±	---
3 PLACES ±	---
2 PLACES ±	0.38
1 PLACE ±	0.50
0 PLACE ±	---
ANGULAR ±1/2°	
DRAFT WHERE APPLICABLE MUST REMAIN WITHIN DIMENSIONS	

DIMENSION STYLE		SCALE	DESIGN UNITS	THIRD ANGLE PROJECTION
IN/MM		4:1	METRIC	☉
DRAWN BY	DATE	TITLE		
RJF	10/04/88	VERTICAL HDR. ASSEMBLIES WITH MIXED TERM. PLATING (MINI-FIT JR. SERIES)		
CHECKED BY	DATE	molex		
JTR	10/04/88			
APPROVED BY	DATE	DOCUMENT NO.	SHEET NO.	
FSMITH	2011/01/17	SDA-42382-****	3 OF 3	
THIS DRAWING CONTAINS INFORMATION THAT IS PROPRIETARY TO MOLEX INCORPORATED AND SHOULD NOT BE USED WITHOUT WRITTEN PERMISSION				