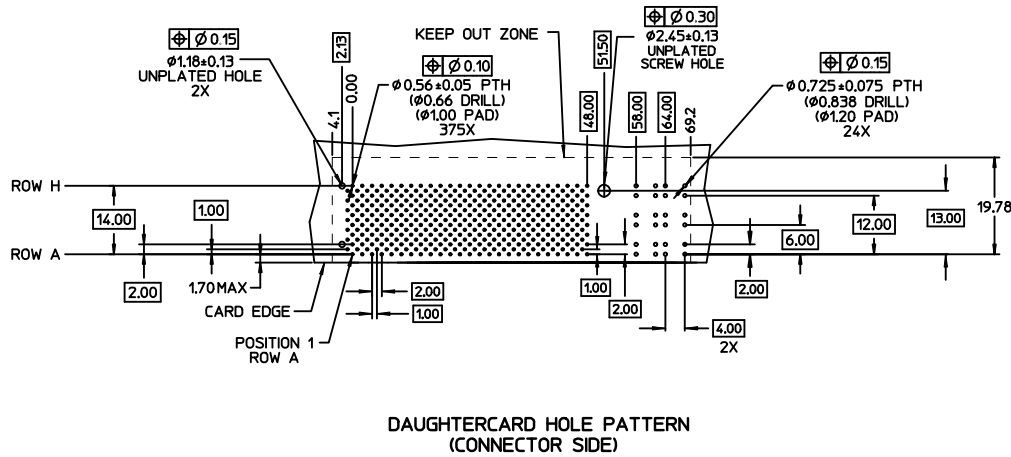


NOTES:

- MATERIALS: HOUSING : LIQUID CRYSTAL POLYMER (LCP)
GLASS-FILLED, UL94V-0, BLACK.
TERMINALS: COPPER ALLOY
STIFFENER: STAINLESS STEEL
- FINISH: SELECTIVE GOLD (Au) 0.76 micrometer MINIMUM
IN CONTACT AREA, SELECTIVE MATTE TIN (Sn) IN TAIL AREA,
NICKEL (Ni) UNDERPLATE OVERALL.
- REFER TO MOLEX PRODUCT SPECIFICATION PS-74031-999
FOR PERFORMANCE SPECIFICATIONS.
- PARTS TO BE PACKAGED PER PK-70873-5041.
SCREWS PACKED IN BAG INSIDE TUBE.
- THIS PART CONFORMS TO CLASS "B" REQUIREMENTS OF
MOLEX COSMETIC SPECIFICATION PS-45499-002.
- REFER TO MOLEX DOCUMENT SD-74041-002 FOR ADDITIONAL
DETAIL ON THE SIGNAL WAFER.
- REFER TO MOLEX DOCUMENT SD-74037-006 FOR ADDITIONAL
DETAIL ON THE GUIDANCE MODULE.
- REFER TO MOLEX DOCUMENT SD-75885-002 FOR ADDITIONAL
DETAIL ON THE LEAD-FREE POWER MODULE.
- REFER TO MOLEX DOCUMENT E-74038-002 FOR ADDITIONAL
DETAIL ON THE END CAP.
- LABEL MARKED WITH MOLEX PART NUMBER AND DATE CODE.
LABEL MAY BE REPLACED WITH LASER MARKING ON THE STIFFENER.

LEAD-FREE
PLATING ON
SIGNALS,
SHIELDS,
AND POWERS

ITEM	PART NUMBER	PART DESCRIPTION	QTY
1	74046-0073	STIFFENER	1
2	74041-1001	SIGNAL WAFER, LF	25
3	75885-8433	POWER MODULE, LF	2
4	74038-1002	END CAP W/PEGS	1
5	74037-0008	POLARIZING / GUIDE MODULE	1
6	73726-0000	GUIDE MODULE MNTG SCREW	1



CUSTOMER: ECI

CHG TO LEAD-FREE EC NO: UCP2011-3282 DRAWN BY: DRYN/MOLFE 2011/02/15 CHECKED BY: CHYK/SWANNELLY 2011/02/15 APPR/S: MILLER 2011/05/09	QUALITY SYMBOLS	GENERAL TOLERANCES (UNLESS SPECIFIED)	DIMENSION STYLE	SCALE	DESIGN UNITS	THIRD ANGLE PROJECTION
	$\nabla=0$ $\nabla=0$ $\nabla=0$	mm INCH 4 PLACES ±--- ±--- 3 PLACES ±--- ±--- 2 PLACES ±0.25 ±--- 1 PLACE ±0.38 ±--- ANGULAR ±---°	MM ONLY	1:1	METRIC	
	DRAFT WHERE APPLICABLE MUST REMAIN WITHIN DIMENSIONS	DRAWN BY: VARVARA 04/07/07 CHECKED BY: SREED 04/07/07 APPROVED BY: SMILLER 2011/05/09	TITLE: 8 ROW VHDM, LF DAUGHTERCARD SALES DRAWING			
		MATERIAL NO: 74040-1047 SIZE: D	DOCUMENT NO: SD-74040-1047	MOLEX INCORPORATED		