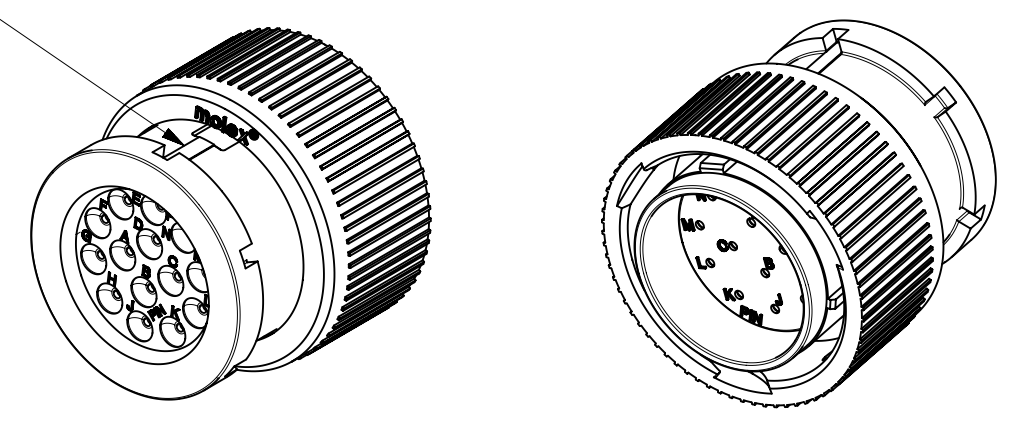
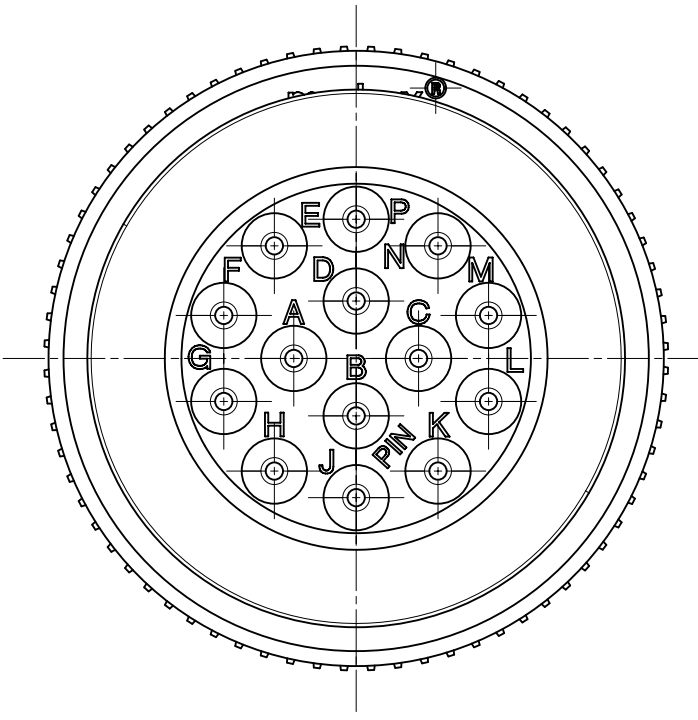
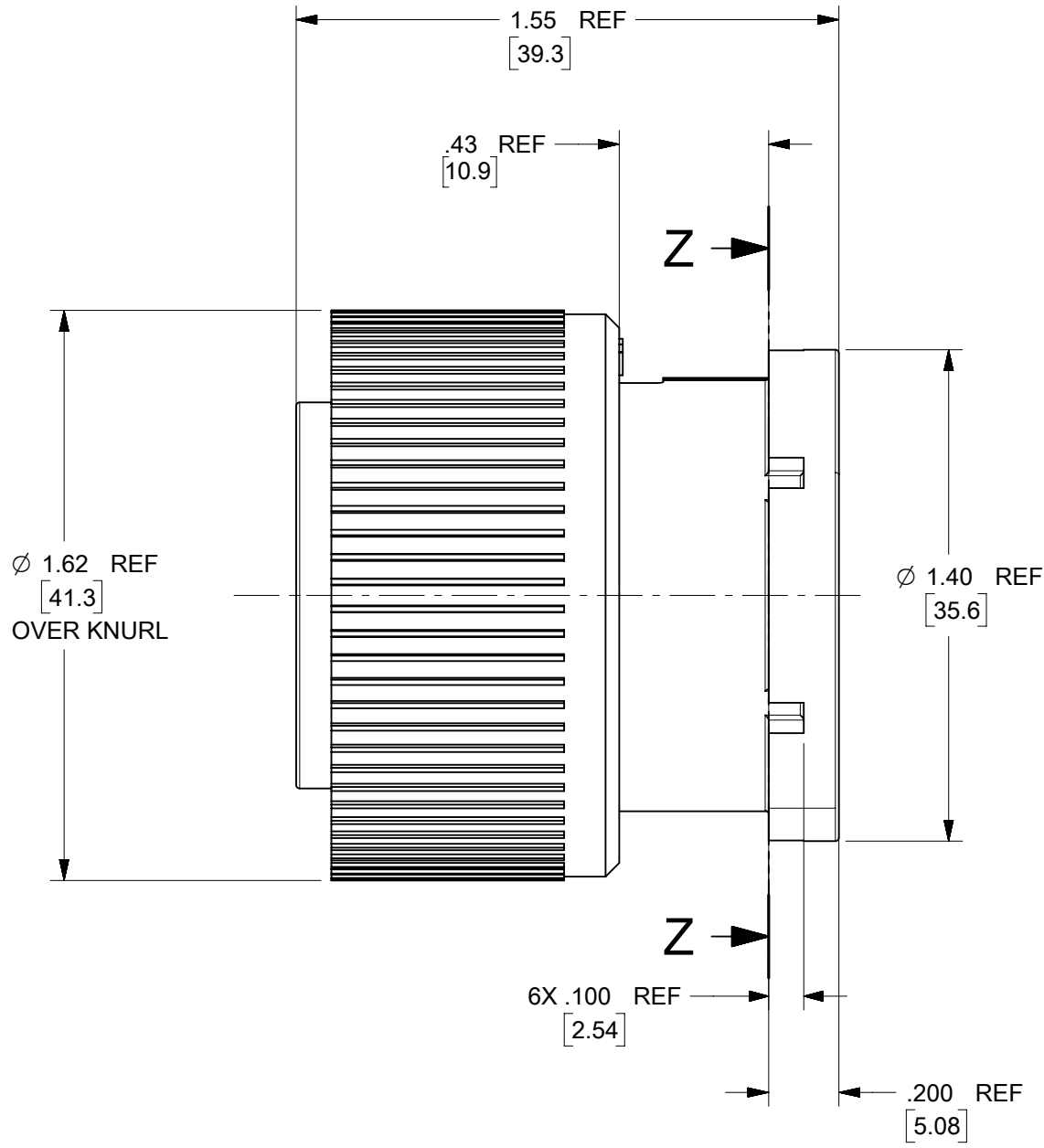
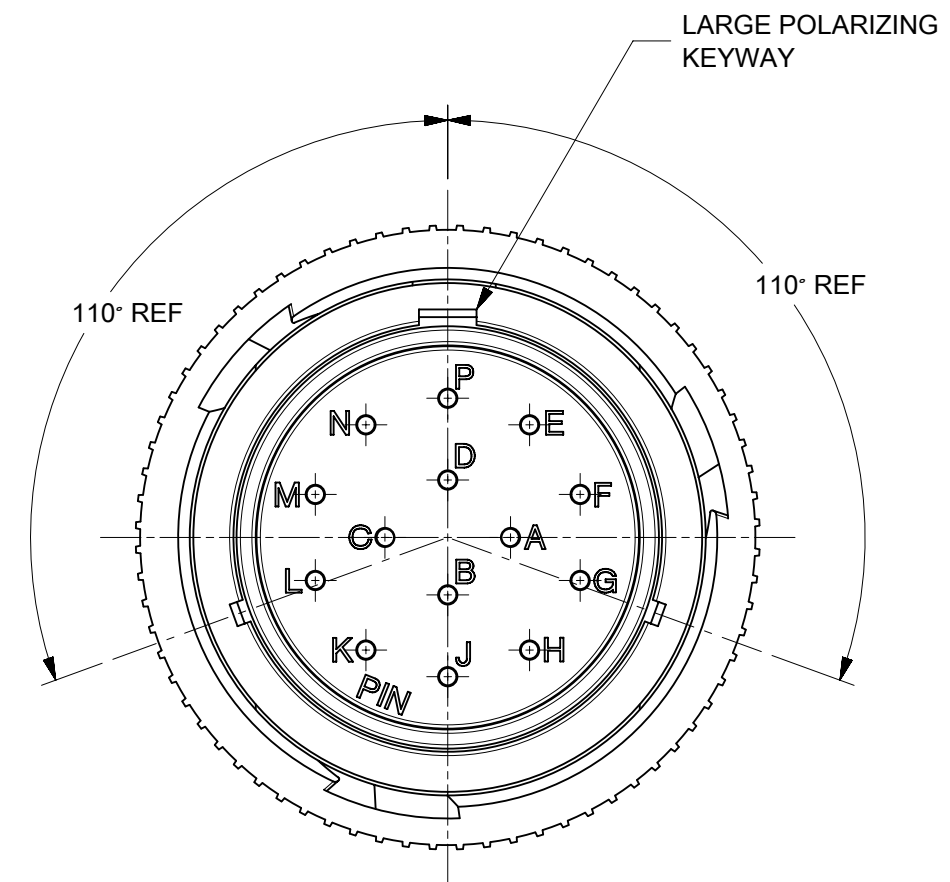


MATERIAL NUMBER	WIRE AWG	INSUL DIA O.D.
845010001	18-14	.053[1.35] - .134[3.40]

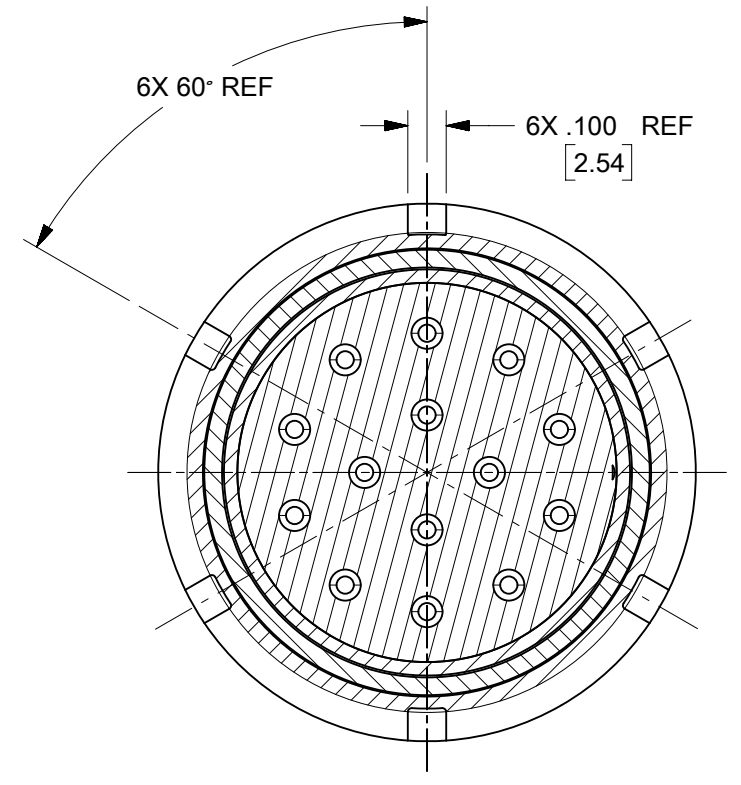
LARGE POLARIZING KEY INDICATOR



SCALE 1:1



WIRE ENTRY VIEW



SECTION Z-Z

- NOTES:
- MATERIALS:
HOUSINGS: POLYESTER (PBT), GLASS FILLED, UL94V-0 & POLYETHERIMIDE (PEI), UNFILLED, UL94V-0.
COLOR, UNLESS OTHERWISE SPECIFIED: BLACK
SEALS: SILICONE RUBBER
COLOR: RUST RED
 - PRODUCT SPECIFICATION: PS-84501-001.
 - MATES WITH: SERIES 84508 RECEPTACLE CONNECTOR.
 - USE CONNECTOR WITH MALE CRIMP TERMINAL SERIES 84524.
 - ALL COMPONENTS ARE ROHS COMPLIANT.

QUALITY SYMBOLS	THIS DRAWING CONTAINS INFORMATION THAT IS PROPRIETARY TO MOLEX ELECTRONIC TECHNOLOGIES, LLC AND SHOULD NOT BE USED WITHOUT WRITTEN PERMISSION			
	GENERAL TOLERANCES (UNLESS SPECIFIED)		DIMENSION UNITS	SCALE
▽ = 0	MM INCH		IN[MM]	2:1
▽ = 0	4 PLACES ± ±		DRWN BY	DATE
▽ = 0	3 PLACES ± ± 0.015		DMYRICK	2006/2/8
▽ = 0	2 PLACES ± 0.38 ± 0.02		CHK'D BY	DATE
▽ = 0	1 PLACES ± 0.5 ±		JPAWLICKI	2006/2/8
▽ = 0	0 PLACES ± ±		APPR BY	DATE
▽ = 0	ANGULAR TOL = 1.0		RDEROSS	2006/2/8
▽ = 0	DRAFT WHERE APPLICABLE MUST REMAIN WITHIN DIMENSIONS		DRAWING SIZE	THIRD ANGLE PROJECTION
▽ = 0	C1		C	
CAD MIGRATION		SERIES MATERIAL NUMBER CUSTOMER		
EC NO: 120775		84501 SEE CHART GENERAL MARKET		
DRWN: CRAODOREMS		DOCUMENT NUMBER		
CHKD: SMCGREEVY		SD-84501-001		
REV / APPR: JDWALLACE		DOC TYPE DOC PART SHEET NUMBER		
		PSD 001 1 OF 1		