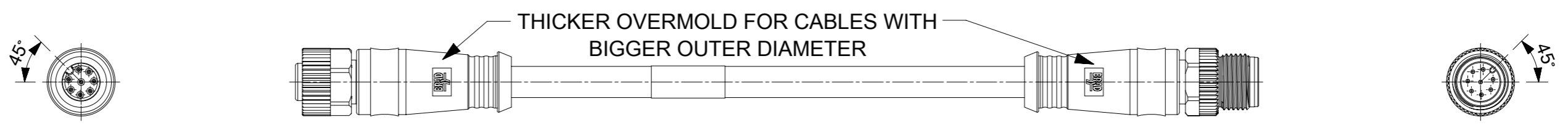
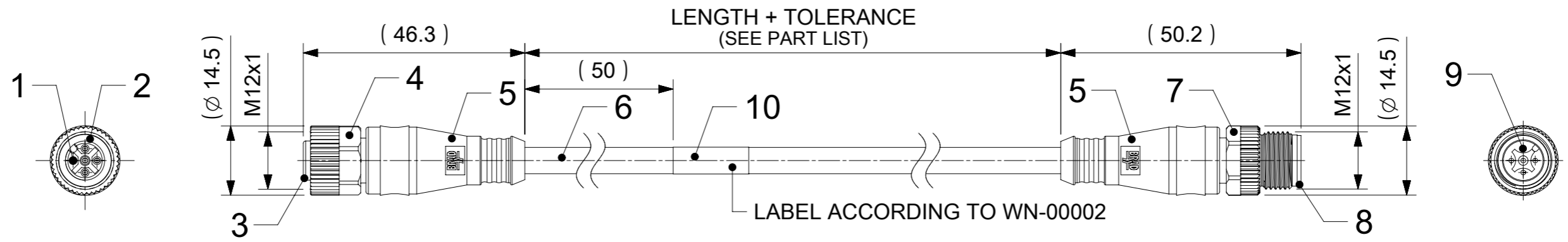
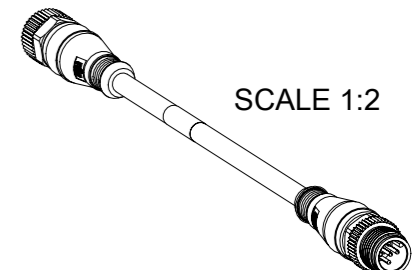


# FEMALE PLUG M12 STRAIGHT TO MALE PLUG M12 STRAIGHT



## NOTES:

- CONTACT CURRENT RATING: 3-5 POLES 4A  
8 POLES 2A
- VOLTAGE RATING: 3-4 POLES 250V  
5 POLES 60V DC  
8 POLES 30V
- PROTECTION CLASS: IP 67
- TEMPERATURE: -25°C / +85°C



## CONTACT POSITION FRONT VIEW:

| CABLE       | 3 POLES  |       | 4 POLES            |       | 5 POLES            |       | 5 POLES |              | 8 POLES  |        |
|-------------|----------|-------|--------------------|-------|--------------------|-------|---------|--------------|----------|--------|
|             | B30, B55 |       | B30, B33, B36, B55 |       | B30, B33, B36, B55 |       | B42     |              | B41, B49 |        |
| FEMALE      |          |       |                    |       |                    |       |         |              |          |        |
| MALE        |          |       |                    |       |                    |       |         |              |          |        |
| CONNECTIONS | PIN      | WIRE  | PIN                | WIRE  | PIN                | WIRE  | PIN     | WIRE         | PIN      | WIRE   |
|             | 1        | BROWN | 1                  | BROWN | 1                  | BROWN | 1       | BROWN        | 1        | WHITE  |
|             | 2        | ---   | 2                  | WHITE | 2                  | WHITE | 2       | WHITE        | 2        | BROWN  |
|             | 3        | BLUE  | 3                  | BLUE  | 3                  | BLUE  | 3       | BLUE         | 3        | GREEN  |
|             | 4        | BLACK | 4                  | BLACK | 4                  | BLACK | 4       | BLACK        | 4        | YELLOW |
|             | 5        | ---   | 5                  | ---   | 5                  | GREY  | 5       | GREEN/YELLOW | 5        | GREY   |
|             |          |       |                    |       |                    |       | 5       |              | 6        | PINK   |
|             |          |       |                    |       |                    |       |         |              | 7        | BLUE   |
|             |          |       |                    |       |                    |       |         | 8            | RED      |        |

CODING REQUIRED TO IEC 61076-2-101

## FOR OPTIONS SEE - NUMERICAL CODE - ON SHEET 2

| ITEM | QTY.      | DESCRIPTION         | MATERIAL    | FINISH                     |
|------|-----------|---------------------|-------------|----------------------------|
| 10   | 1         | LABEL OR PRINTING   | VINYL / --- | ---                        |
| 9    | 3 / 4 / 5 | CONTACT M12 MALE    | COPPER      | SELECTIVE GOLD OVER NICKEL |
|      | 8         |                     | BRASS       | SELECTIVE GOLD OVER NICKEL |
| 8    | 1         | INSERT MALE BLACK   | TPU         | ---                        |
| 7    | 1         | COUPLING NUT MALE   | SEE SHEET 2 | SEE SHEET 2                |
| 6    | -         | CABLE               | SEE SHEET 2 | ---                        |
| 5    | -         | OVERMOULDING        | TPU         | SEE SHEET 2                |
| 4    | 1         | COUPLING NUT FEMALE | SEE SHEET 2 | SEE SHEET 2                |
| 3    | 1         | INSERT FEMALE BLACK | PUR         | ---                        |
| 2    | 1         | ORING RED           | FPM         | ---                        |
|      |           |                     |             |                            |
| 1    | 3 / 4 / 5 | CONTACT M12 FEMALE  | BRONZE      | SELECTIVE GOLD OVER NICKEL |
|      | 8         |                     | BRASS       | SELECTIVE GOLD OVER NICKEL |

THIS DRAWING CONTAINS INFORMATION THAT IS PROPRIETARY TO MOLEX ELECTRONIC TECHNOLOGIES, LLC AND SHOULD NOT BE USED WITHOUT WRITTEN PERMISSION

DIMENSION UNITS: mm SCALE: 1:1

GENERAL TOLERANCES (UNLESS SPECIFIED):  
 ANGULAR TOL ± 1.0°  
 4 PLACES ±  
 3 PLACES ±  
 2 PLACES ± 0.05  
 1 PLACE ± 0.3  
 0 PLACES ± 0.5

DRAFT WHERE APPLICABLE MUST REMAIN WITHIN DIMENSIONS

THIRD ANGLE PROJECTION

DRAWING: A3-SIZE

SERIES: 120066

MATERIAL NUMBER: SEE SHEET 3 & 4

CUSTOMER: GENERAL MARKET

SHEET NUMBER: 1 OF 4

EC NO: 687807  
 DRWN: RSCHIEBER 2021/12/01  
 CHK'D: RSILLER 2021/12/07  
 APPR: RSILLER 2021/12/07

INITIAL REVISION:  
 DRWN: JMARSZALEK 2016/07/22  
 APPR: RSILLER 2016/08/29

DOCUMENT NUMBER: 1200668993

DOC TYPE: PSD

DOC PART: 000

REVISION: A16

**molex**

CSE M12 XP AC FE STR WSOR MA STR XM DE

PRODUCT CUSTOMER DRAWING

ENGINEERING NO. - NUMERICAL CODE (Available parts see PART LIST table. Other parts available upon request).

OPTIONS

8 8 X 0 3 0 X X X X X X X X

88=M12x1  
Double ended

Poles:  
3=3 Poles  
4=4 Poles  
5=5 Poles  
8=8 Poles

Heads style:  
030=Plug Female Straight  
to Plug Male Straight

Cable type: See Table

Units:  
M=Meter  
C=Centimeter  
T=10x Meter

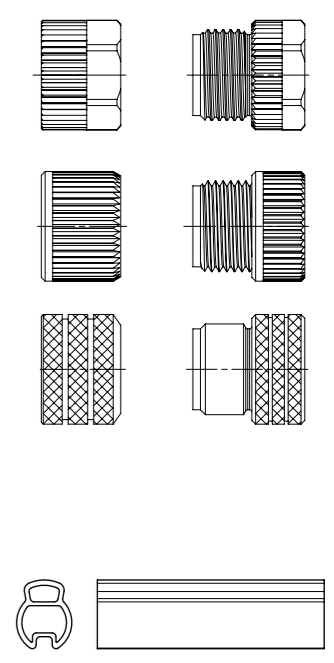
Length  
Examples:  
005=0.5 units  
010=1 units  
020=1 units  
050=5 units  
100=10 units  
150=15 units  
200=20 units

Overmold color:  
Blank (Standard)=Black  
A=Grey / G=Black / Y=Yellow / R=Red

Coupling Nut:  
Blank (Standard)=Knurled/Hex Brass, Ni Plated  
5=Knurled Derlin  
7=Knurled Brass Ni Plated, Teflon Coated

H= 2 pcs. of I/D Carrier PVC Transparent  
(Cable B36 always with  
2 pcs. I/D Carrier)

FEMALE MALE



CABLE INFORMATION (for more information see Cable Data Sheet)

| CABLE TYPE | NO. OF WIRES | CROSS SECTION       | CABLE JACKET | UL           | CSA                     | STATIC: TEMP. / BENDING RADIUS | DYNAMIC: TEMP. / BENDING RADIUS | DRAG CHAIN: TEMP. / BENDING RADIUS | DRAG CHAIN                             | CABLE PRODUCT SPECIFICATION | CABLE SPEC. DRAWING |
|------------|--------------|---------------------|--------------|--------------|-------------------------|--------------------------------|---------------------------------|------------------------------------|--|-----------------------------|---------------------|
| B30        | 3 / 4 / 5    | 0.34mm <sup>2</sup> | TPU Black    | UL 21215/758 | C22.2 I/II A/B 80°/600V | -40°C to +90°C<br>5xO.D.       | -25°C to +80°C<br>7.5xO.D.      | -5°C to +60°C<br>7.5xO.D.          | up to 5 000 000 cycles<br>at temp 20°C | 1552200001                  | SD-120209-001       |
| B33        | 4 / 5        | 0.34mm <sup>2</sup> | TPU Gray     |              |                         |                                |                                 |                                    |  |                             | SD-120209-001       |
| B36        | 4 / 5        | 0.34mm <sup>2</sup> | TPU Orange   |              |                         |                                |                                 |                                    |  |                             | SD-120209-001       |
| B41        | 8            | 0.25mm <sup>2</sup> | TPU Black    |              |                         |                                |                                 |                                    |  |                             | SD-120209-006       |
| B42        | 5            | 0.34mm <sup>2</sup> | TPU Black    |              |                         |                                |                                 |                                    |  |                             | SD-120209-001       |
| B49        | 8            | 0.25mm <sup>2</sup> | TPU Orange   |              |                         |                                |                                 |                                    |  |                             | SD-120209-006       |
| B55        | 3 / 4 / 5    | 0.34mm <sup>2</sup> | TPU Yellow   | n/a          |                         |                                |                                 |                                    |  |                             |                     |

CABLE LENGTH TOLERANCES

| LENGTH   | TOLERANCE  |
|----------|------------|
| 0m-1m    | +40 mm     |
| >1m-5m   | +60 mm     |
| >5m-10m  | +80 mm     |
| >10m-20m | +140 mm    |
| >20m-30m | +160 mm    |
| >30m     | +1% length |

THIS DRAWING CONTAINS INFORMATION THAT IS PROPRIETARY TO MOLEX ELECTRONIC TECHNOLOGIES, LLC AND SHOULD NOT BE USED WITHOUT WRITTEN PERMISSION

DIMENSION UNITS: mm SCALE: 1:1

GENERAL TOLERANCES (UNLESS SPECIFIED): ANGULAR TOL ± 1.0°

4 PLACES ± 0.15  
3 PLACES ± 0.10  
2 PLACES ± 0.05  
1 PLACE ± 0.3  
0 PLACES ± 0.5

DRAFT WHERE APPLICABLE MUST REMAIN WITHIN DIMENSIONS

THIRD ANGLE PROJECTION

DRAWING: A3-SIZE

SERIES: 120066

MATERIAL NUMBER: SEE SHEET 3 & 4

CUSTOMER: GENERAL MARKET

SHEET NUMBER: 2 OF 4

EC NO: 687807  
DRWN: RSCHIEBER 2021/12/01  
CHK'D: RSILLER 2021/12/07  
APPR: RSILLER 2021/12/07

INITIAL REVISION:  
DRWN: JMARSZALEK 2016/07/22  
APPR: RSILLER 2016/08/29

CURRENT REV DESC: NEW P/N'S ADDED

**molex**

CSE M12 XP AC FE STR WSOR MA STR XM DE

PRODUCT CUSTOMER DRAWING

DOCUMENT NUMBER: 1200668993  
DOC TYPE: PSD  
DOC PART: 000  
REVISION: A16


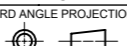
PART LIST

| Lp. | MOLEX PN   | ENGINEERING No  | L [mm] |
|-----|------------|-----------------|--------|
| 1   | 1200656067 | 885030B30M005H  | 500    |
| 2   | 1200659548 | 885030B42M150   | 15000  |
| 3   | 1200659549 | 885030B42M200   | 20000  |
| 4   | 1200659666 | 885030B30M005   | 500    |
| 5   | 1200659667 | 885030B30M025   | 2500   |
| 6   | 1200665456 | 884030B30M010R  | 1000   |
| 7   | 1200665457 | 884030B30M020R  | 2000   |
| 8   | 1200665458 | 884030B30M030R  | 3000   |
| 9   | 1200665459 | 884030B30M040R  | 4000   |
| 10  | 1200665460 | 884030B30M050R  | 5000   |
| 11  | 1200665461 | 888030B41M010R  | 1000   |
| 12  | 1200668817 | 884030B30M006   | 600    |
| 13  | 1200668818 | 884030B30M010   | 1000   |
| 14  | 1200668819 | 884030B30M020   | 2000   |
| 15  | 1200668820 | 884030B30M030   | 3000   |
| 16  | 1200668821 | 884030B30M050   | 5000   |
| 17  | 1200668822 | 884030B30M100   | 10000  |
| 18  | 1200668823 | 885030B42M006   | 600    |
| 19  | 1200668824 | 885030B42M010   | 1000   |
| 20  | 1200668825 | 885030B42M020   | 2000   |
| 21  | 1200668826 | 885030B42M030   | 3000   |
| 22  | 1200668827 | 885030B42M050   | 5000   |
| 23  | 1200668828 | 885030B42M100   | 10000  |
| 24  | 1200668859 | 884030B36M0507Y | 5000   |
| 25  | 1200668860 | 884030B36M1007Y | 10000  |
| 26  | 1200668863 | 884030B30M070   | 7000   |
| 27  | 1200668889 | 883030B30M006   | 600    |
| 28  | 1200668890 | 883030B30M010   | 1000   |
| 29  | 1200668891 | 883030B30M020   | 2000   |
| 30  | 1200668892 | 883030B30M030   | 3000   |

| Lp. | MOLEX PN   | ENGINEERING No  | L [mm] |
|-----|------------|-----------------|--------|
| 31  | 1200668893 | 883030B30M050   | 5000   |
| 32  | 1200668894 | 883030B30M100   | 10000  |
| 33  | 1200668895 | 888030B41M006   | 600    |
| 34  | 1200668896 | 888030B41M010   | 1000   |
| 35  | 1200668897 | 888030B41M020   | 2000   |
| 36  | 1200668898 | 888030B41M030   | 3000   |
| 37  | 1200668899 | 888030B41M050   | 5000   |
| 38  | 1200668900 | 888030B41M100   | 10000  |
| 39  | 1200668913 | 884030B30M150   | 15000  |
| 40  | 1200668914 | 884030B30M200   | 20000  |
| 41  | 1200668915 | 884030B30M250   | 25000  |
| 42  | 1200668916 | 884030B30M300   | 30000  |
| 43  | 1200668991 | 885030B30M006   | 600    |
| 44  | 1200668992 | 885030B30M010   | 1000   |
| 45  | 1200668993 | 885030B30M020   | 2000   |
| 46  | 1200668994 | 885030B30M030   | 3000   |
| 47  | 1200668995 | 885030B30M050   | 5000   |
| 48  | 1200668996 | 885030B30M100   | 10000  |
| 49  | 1200669019 | 884030B36M0057Y | 500    |
| 50  | 1200669020 | 884030B36M0107Y | 1000   |
| 51  | 1200669021 | 884030B36M0157Y | 1500   |
| 52  | 1200669022 | 884030B36M0207Y | 2000   |
| 53  | 1200669023 | 884030B36M0307Y | 3000   |
| 54  | 1200669024 | 884030B36M0407Y | 4000   |
| 55  | 1200669025 | 884030B36M0607Y | 6000   |
| 56  | 1200669026 | 884030B36M0807Y | 8000   |
| 57  | 1200669027 | 884030B36M1207Y | 12000  |
| 58  | 1200669028 | 884030B36M1507Y | 15000  |
| 59  | 1200669029 | 884030B36M2007Y | 20000  |
| 60  | 1200669030 | 884030B36M2507Y | 25000  |

| Lp. | MOLEX PN   | ENGINEERING No  | L [mm] |
|-----|------------|-----------------|--------|
| 61  | 1200669031 | 884030B36M3007Y | 30000  |
| 62  | 1200669032 | 885030B36M0057Y | 500    |
| 63  | 1200669033 | 885030B36M0107Y | 1000   |
| 64  | 1200669034 | 885030B36M0207Y | 2000   |
| 65  | 1200669035 | 885030B36M0307Y | 3000   |
| 66  | 1200669036 | 885030B36M0407Y | 4000   |
| 67  | 1200669037 | 885030B36M0507Y | 5000   |
| 68  | 1200669038 | 885030B36M0607Y | 6000   |
| 69  | 1200669039 | 885030B36M0807Y | 8000   |
| 70  | 1200669040 | 885030B36M1007Y | 10000  |
| 71  | 1200669041 | 885030B36M1207Y | 12000  |
| 72  | 1200669042 | 885030B36M1507Y | 15000  |
| 73  | 1200669043 | 885030B36M1807Y | 18000  |
| 74  | 1200669044 | 885030B36M2007Y | 20000  |
| 75  | 1200669045 | 885030B36M2507Y | 25000  |
| 76  | 1200669046 | 885030B36M3007Y | 30000  |
| 77  | 1200669112 | 888030B49M038Y  | 3800   |
| 78  | 1200669140 | 885030B36M8507Y | 85000  |
| 79  | 1200669144 | 884030B30M025   | 2500   |
| 80  | 1200669145 | 885030B30M015   | 1500   |
| 81  | 1200669157 | 884030B30M002   | 200    |
| 82  | 1200669158 | 884030B30M030R  | 3000   |
| 83  | 1200669177 | 888030B41M090   | 9000   |
| 84  | 1200669181 | 884030B30M040   | 4000   |
| 85  | 1200669182 | 884030B30M060   | 6000   |
| 86  | 1200669223 | 884030B33M010   | 1000   |
| 87  | 1200669224 | 884030B33M020   | 2000   |
| 88  | 1200669225 | 884030B33M030   | 3000   |
| 89  | 1200669226 | 884030B33M050   | 5000   |
| 90  | 1200669242 | 885030B30M0107  | 1000   |

| Lp. | MOLEX PN   | ENGINEERING No | L [mm] |
|-----|------------|----------------|--------|
| 91  | 1200669247 | 885030B33M020  | 2000   |
| 92  | 1200669248 | 885030B33M100  | 10000  |
| 93  | 1200669249 | 885030B33M200  | 20000  |
| 94  | 1200669250 | 884030B33M005  | 500    |
| 95  | 1200669251 | 884030B33M100  | 10000  |
| 96  | 1200669252 | 884030B33M200  | 20000  |
| 97  | 1200669253 | 885030B33M030  | 3000   |
| 98  | 1200669254 | 885030B33M050  | 5000   |
| 99  | 1200669255 | 885030B33M300  | 30000  |
| 100 | 1200669256 | 884030B33M300  | 30000  |
| 101 | 1200669257 | 885030B33M005  | 500    |
| 102 | 1200669258 | 885030B33M010  | 1000   |
| 103 | 1200669263 | 884030B55M020  | 2000   |
| 104 | 1200669264 | 884030B55M030  | 3000   |
| 105 | 1200669265 | 884030B55M040  | 4000   |
| 106 | 1200669266 | 884030B55M050  | 5000   |
| 107 | 1200669267 | 884030B55M060  | 6000   |
| 108 | 1200669268 | 884030B55M100  | 10000  |
| 109 | 1200669269 | 884030B55M120  | 12000  |
| 110 | 1200669270 | 884030B55M150  | 15000  |
| 111 | 1200669271 | 884030B55M200  | 20000  |
| 112 | 1200669280 | 884030B33M040  | 4000   |
| 113 | 1200669418 | 884030B55M070  | 7000   |
| 114 | 1200669480 | 884030B30M005  | 500    |
| 115 | 1200669481 | 884030B30M080  | 8000   |
| 116 | 1200669482 | 885030B30M040  | 4000   |
| 117 | 1200669483 | 885030B30M300  | 30000  |
| 118 | 1200669484 | 885030B30M060  | 6000   |
| 119 | 1200669485 | 885030B30M080  | 8000   |
| 120 | 1200669486 | 885030B30M150  | 15000  |

|   |         |  |        |                 |                |  |              |  |          |
|---|---------|--|--------|-----------------|----------------|--|--------------|--|----------|
| THIS DRAWING CONTAINS INFORMATION THAT IS PROPRIETARY TO MOLEX ELECTRONIC TECHNOLOGIES, LLC AND SHOULD NOT BE USED WITHOUT WRITTEN PERMISSION |         |  |        |                 |                |  |              |  |          |
| DIMENSION UNITS   | SCALE   | CURRENT REV DESC: NEW P/N'S ADDED  |        |                 |                |  |              |  |          |
| mm  | 1:1     | <br>CSE M12 XP AC FE STR WSOR MA STR XM DE  |        |                 |                |  |              |  |          |
| GENERAL TOLERANCES (UNLESS SPECIFIED)   |         |  |        |                 |                |  |              |  |          |
| ANGULAR TOL   | ± 1.0 ° | EC NO: 687807<br>DRWN: RSCHIEBER 2021/12/01<br>CHK'D: RSILLER 2021/12/07<br>APPR: RSILLER 2021/12/07<br>INITIAL REVISION:<br>DRWN: JMARSZALEK 2016/07/22<br>APPR: RSILLER 2016/08/29 |        |                 |                |  |              |  |          |
| 4 PLACES  | ±       |  |        |                 |                |  |              |  |          |
| 2 PLACES  | ± 0.05  |  |        |                 |                |  |              |  |          |
| 1 PLACE   | ± 0.3   |  |        |                 |                |  |              |  |          |
| 0 PLACES  | ± 0.5   | DOCUMENT NUMBER  |        |                 | DOC TYPE       |  | DOC PART     |  | REVISION |
| DRAFT WHERE APPLICABLE MUST REMAIN WITHIN DIMENSIONS  |         | 1200668993   |        |                 | PSD            |  | 000          |  | A16      |
| THIRD ANGLE PROJECTION  |         | DRAWING  | SERIES | MATERIAL NUMBER | CUSTOMER       |  | SHEET NUMBER |  |          |
|    |         | A3-SIZE  | 120066 | SEE SHEET 3 & 4 | GENERAL MARKET |  | 3 OF 4       |  |          |

PART LIST

| Lp. | MOLEX PN   | ENGINEERING No  | L [mm] |
|-----|------------|-----------------|--------|
| 121 | 1200669487 | 885030B30M180   | 18000  |
| 122 | 1200669488 | 885030B30M200   | 20000  |
| 123 | 1200669489 | 885030B30M250   | 25000  |
| 124 | 1200669504 | 884030B30M120   | 12000  |
| 125 | 1200669505 | 884030B30M140   | 14000  |
| 126 | 1200669506 | 884030B30M160   | 16000  |
| 127 | 1200669512 | 884030B30M550   | 55000  |
| 128 | 1200669513 | 884030B30M400   | 40000  |
| 129 | 1200669521 | 884030B30M015   | 1500   |
| 130 | 1200669524 | 884030B36M0057H | 500    |
| 131 | 1200669525 | 884030B36M0207H | 2000   |
| 132 | 1200669526 | 884030B36M0307H | 3000   |
| 133 | 1200669530 | 884030B36M0107H | 1000   |
| 134 | 1200669531 | 884030B36M0157H | 1500   |
| 135 | 1200669532 | 884030B36M0507H | 5000   |
| 136 | 1200669533 | 884030B36M1007H | 10000  |
| 137 | 1200669542 | 885030B36M0057H | 500    |
| 138 | 1200669543 | 885030B36M0107H | 1000   |
| 139 | 1200669544 | 885030B36M0157H | 1500   |
| 140 | 1200669545 | 885030B36M0207H | 2000   |
| 141 | 1200669546 | 885030B36M0307H | 3000   |
| 142 | 1200669547 | 885030B36M0507H | 5000   |
| 143 | 1200669548 | 885030B36M1007H | 10000  |
| 144 | 1200669562 | 884030B36M0067Y | 600    |
| 145 | 1200669563 | 884030B36M0707Y | 7000   |
| 146 | 1200669567 | 888030B41M150   | 15000  |
| 147 | 1200669568 | 888030B41M200   | 20000  |
| 148 | 1200669575 | 884030B33M005A  | 500    |
| 149 | 1200669576 | 884030B33M010A  | 1000   |
| 150 | 1200669577 | 884030B33M020A  | 2000   |

| Lp. | MOLEX PN   | ENGINEERING No | L [mm] |
|-----|------------|----------------|--------|
| 151 | 1200669578 | 884030B33M030A | 3000   |
| 152 | 1200669579 | 884030B33M050A | 5000   |
| 153 | 1200669580 | 884030B33M100A | 10000  |
| 154 | 1200665456 | 884030B30M010R | 1000   |
| 155 | 1200665457 | 884030B30M020R | 2000   |
| 156 | 1200665458 | 884030B30M030R | 3000   |
| 157 | 1200665459 | 884030B30M040R | 4000   |
| 158 | 1200665460 | 884030B30M050R | 5000   |
| 159 | 1200665461 | 888030B41M010R | 1000   |
| 160 | 1200665462 | 888030B41M020R | 2000   |
| 161 | 1200665463 | 888030B41M030R | 3000   |
| 162 | 1200665464 | 888030B41M040R | 4000   |
| 163 | 1200665465 | 888030B41M050R | 5000   |
| 164 | 1200669714 | 884030B33M015A | 1500   |
| 165 | 1200669715 | 884030B33M040A | 4000   |
| 166 | 1200669716 | 884030B33M070A | 7000   |
| 167 | 1200669618 | 884030B55M010Y | 1000   |
| 168 | 1200669619 | 884030B33M150A | 15000  |
| 169 | 1200669620 | 884030B33M200A | 20000  |
| 170 | 1200669656 | 885030B33M010A | 1000   |
| 171 | 1200669657 | 885030B33M020A | 2000   |
| 172 | 1200669658 | 885030B33M030A | 3000   |
| 173 | 1200669659 | 885030B33M050A | 5000   |
| 174 | 1200669660 | 885030B33M100A | 10000  |
| 175 | 1200669661 | 885030B33M150A | 15000  |
| 176 | 1200669662 | 885030B33M200A | 20000  |
| 177 | 1200669663 | 885030B55M010Y | 1000   |
| 178 | 1200669664 | 885030B55M020Y | 2000   |
| 179 | 1200669665 | 885030B55M030Y | 3000   |
| 180 | 1200669666 | 885030B55M050Y | 5000   |

| Lp. | MOLEX PN   | ENGINEERING No | L [mm] |
|-----|------------|----------------|--------|
| 181 | 1200669667 | 885030B55M100Y | 10000  |
| 182 | 1200669668 | 885030B55M150Y | 15000  |
| 183 | 1200669669 | 885030B55M200Y | 20000  |
| 184 | 1200669742 | 884030B55M250Y | 25000  |
| 185 | 1200669743 | 884030B55M300Y | 30000  |
| 186 | 1200669521 | 884030B30M015  | 1500   |
| 187 | 1200669734 | 884030B55M005Y | 500    |
| 188 | 1200669718 | 883030B30M150  | 15000  |
| 189 | 1200669719 | 883030B30M200  | 20000  |
| 190 | 1200669720 | 883030B30M250  | 25000  |
| 191 | 1200669876 | 884030B33M003A | 300    |
| 192 | 1200669874 | 884030B33M300A | 30000  |
| 193 | 1200669875 | 884030B33M700A | 70000  |
| 194 | 1200669877 | 884030B33M250A | 25000  |
| 195 | 1200669901 | 885030B33M005A | 500    |
| 196 | 1200669902 | 885030B33M300A | 30000  |
| 197 | 1200669903 | 885030B33M400A | 40000  |
| 198 | 1200669904 | 885030B33M500A | 50000  |
|     |            |                |        |
|     |            |                |        |
|     |            |                |        |
|     |            |                |        |
|     |            |                |        |
|     |            |                |        |
|     |            |                |        |
|     |            |                |        |
|     |            |                |        |
|     |            |                |        |
|     |            |                |        |
|     |            |                |        |
|     |            |                |        |
|     |            |                |        |
|     |            |                |        |
|     |            |                |        |
|     |            |                |        |
|     |            |                |        |
|     |            |                |        |
|     |            |                |        |

THIS DRAWING CONTAINS INFORMATION THAT IS PROPRIETARY TO MOLEX ELECTRONIC TECHNOLOGIES, LLC AND SHOULD NOT BE USED WITHOUT WRITTEN PERMISSION

|  |                         |                                      |  |                               |  |
|--|-------------------------|--------------------------------------|--|-------------------------------|--|
| DIMENSION UNITS<br><b>mm</b>                         | SCALE<br><b>1:1</b>     | CURRENT REV DESC: NEW P/N'S ADDED    | <b>molex</b>                           |                               |  |
| GENERAL TOLERANCES (UNLESS SPECIFIED)                |                         |                                      | CSE M12 XP AC FE STR WSOR MA STR XM DE |                               |  |
| ANGULAR TOL ± 1.0 °                                  |                         |                                      | PRODUCT CUSTOMER DRAWING               |                               |  |
| 4 PLACES ±   |                         | EC NO: 687807                        |  |                               |  |
| 3 PLACES ±   |                         | DRWN: RSCHIEBER                      | 2021/12/01                             |                               |  |
| 2 PLACES ± 0.05                                      |                         | CHK'D: RSILLER                       | 2021/12/07                             |                               |  |
| 1 PLACE ± 0.3  |                         | APPR: RSILLER                        | 2021/12/07                             |                               |  |
| 0 PLACES ± 0.5                                       |                         | INITIAL REVISION:                    |  |                               |  |
| DRAFT WHERE APPLICABLE MUST REMAIN WITHIN DIMENSIONS |                         | DRWN: JMARSZALEK                     | 2016/07/22                             |                               |  |
| THIRD ANGLE PROJECTION                               |                         | APPR: RSILLER                        | 2016/08/29                             |                               |  |
| DRAWING<br><b>A3-SIZE</b>                            | SERIES<br><b>120066</b> | DOCUMENT NUMBER<br><b>1200668993</b> | DOC TYPE<br><b>PSD</b>                 | DOC PART<br><b>000</b>        |  |
| MATERIAL NUMBER<br><b>SEE SHEET 3 &amp; 4</b>        |                         | CUSTOMER<br><b>GENERAL MARKET</b>    | REVISION<br><b>A16</b>                 | SHEET NUMBER<br><b>4 OF 4</b> |  |