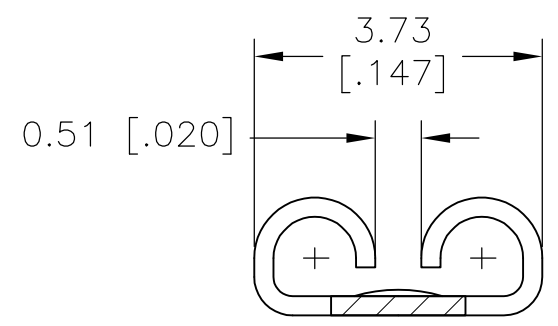
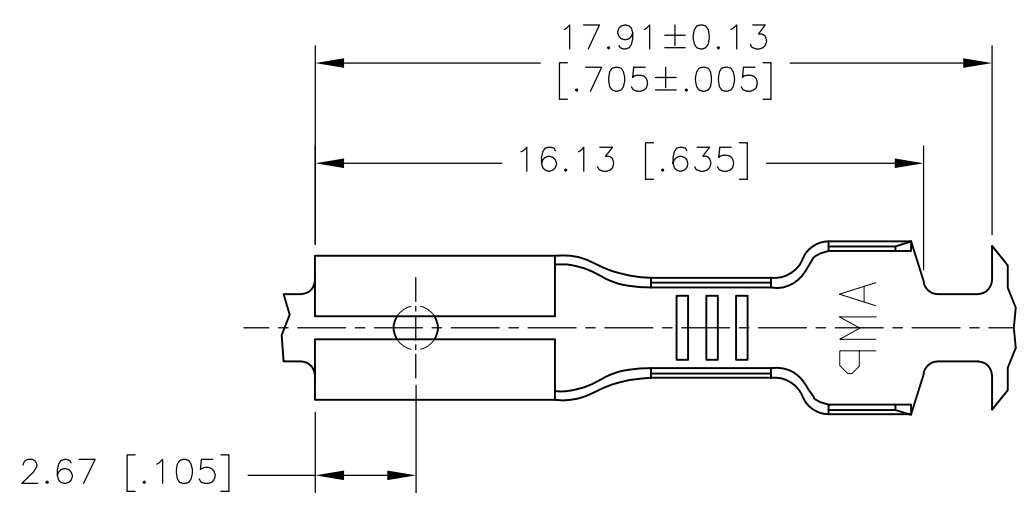


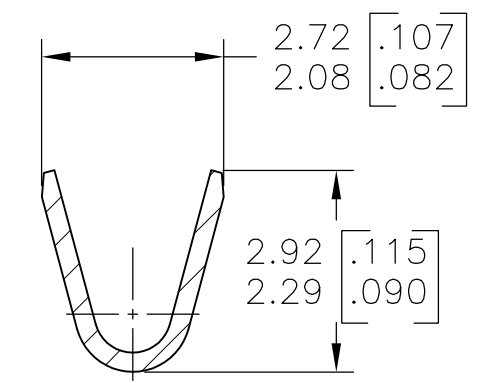
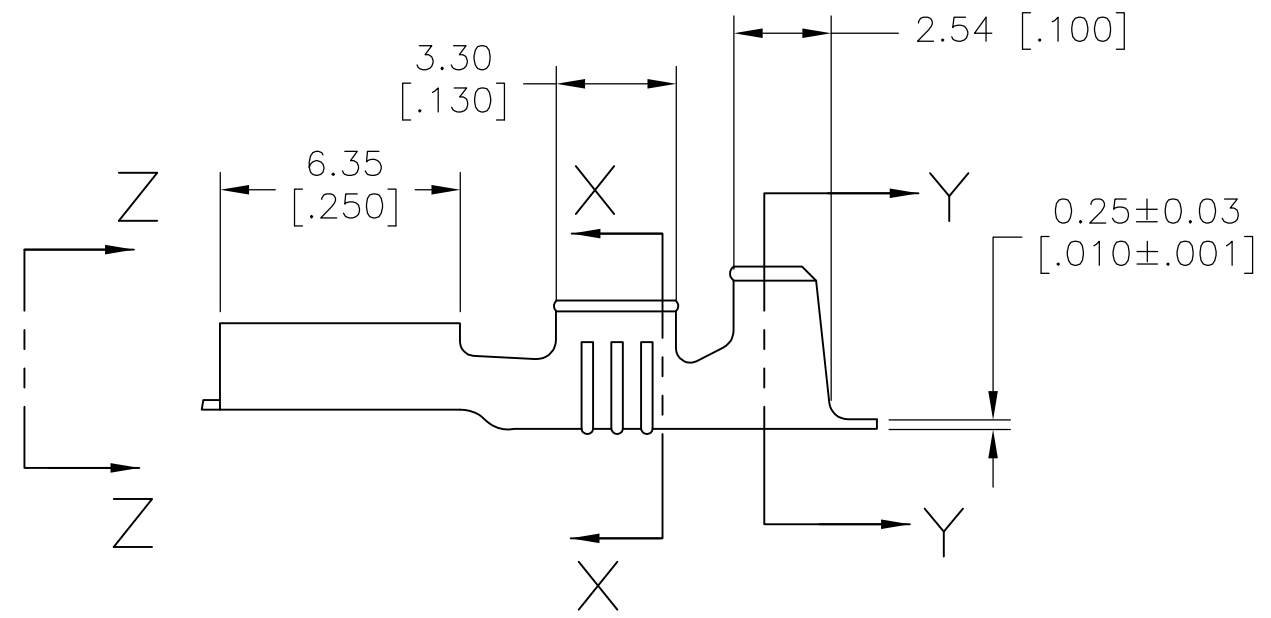
THIS DRAWING IS UNPUBLISHED. RELEASED FOR PUBLICATION
 © COPYRIGHT - By - ALL RIGHTS RESERVED.

LOC	DIST	REVISIONS			
P	LTR	DESCRIPTION	DATE	DWN	APVD
AF	50	B1	REVISED PER ECR-14-004075	24MAR2014	NK RL

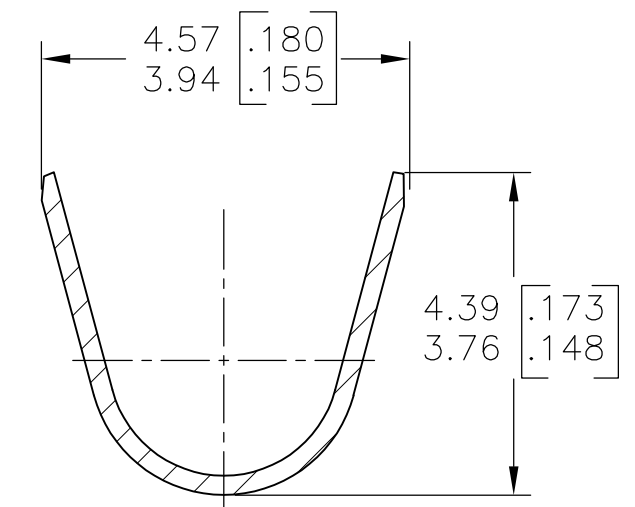


- 1 CONTINUOUS STRIP ON REELS
- 2 FINISH LEAD-FREE, MATTE TIN OVER NICKEL.

VIEW Z-Z
SCALE 10:1



SECTION X-X
SCALE 10:1



SECTION Y-Y
SCALE 10:1

ϕ 2.29-3.30 ϕ [.090-.130]	#22-#18 AWG	0.51±0.03 [.020±.001]		1742785-2
INSULATION RANGE		WIRE SIZE	PRE-TIN	1742785-1
		MATING TAB THK	FINISH	PART NO.

THIS DRAWING IS A CONTROLLED DOCUMENT.		DWN JR RUTH 25FEB09	TE Connectivity	
DIMENSIONS: mm [INCHES]		CHK MS FEHER 25FEB09		
TOLERANCES UNLESS OTHERWISE SPECIFIED:		APVD P DESANTIS 25FEB09	NAME	
0 PLC ± -		PRODUCT SPEC	RECEPTACLE, FASTON, 2.79 [.110] SERIES	
1 PLC ± -		APPLICATION SPEC	SIZE CAGE CODE DRAWING NO RESTRICTED TO	
2 PLC ± 0.38 [.015]		WEIGHT -	A3 00779 C-1742785	
3 PLC ± -		CUSTOMER DRAWING	SCALE 5:1	SHEET 1 OF 1
4 PLC ± -			REV B1	
ANGLES ± -				
FINISH -				