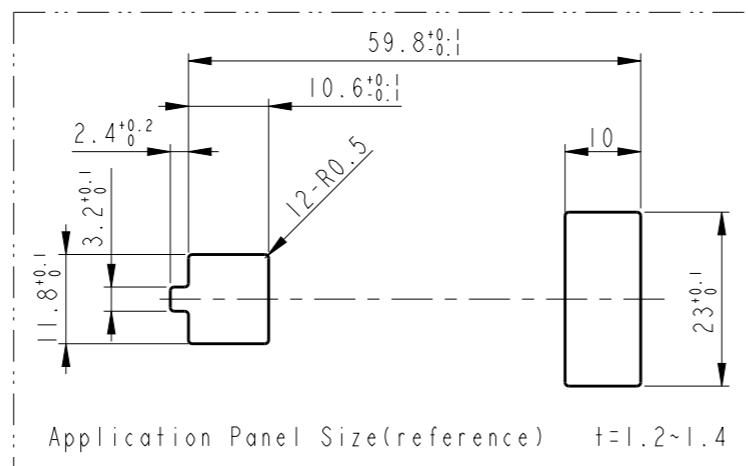
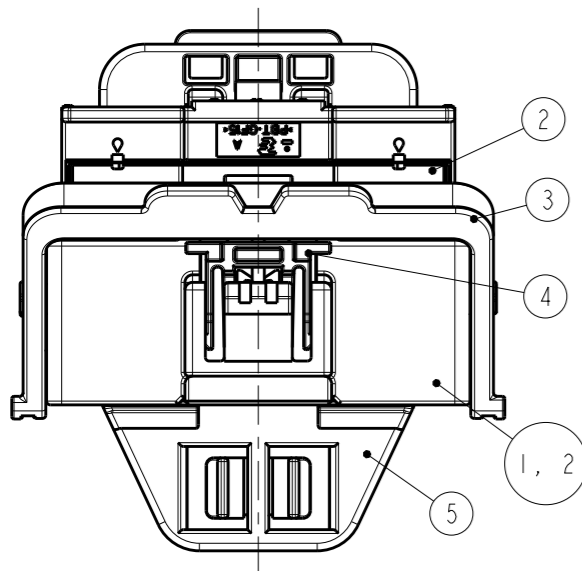


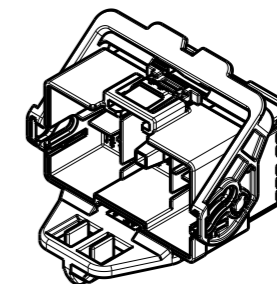
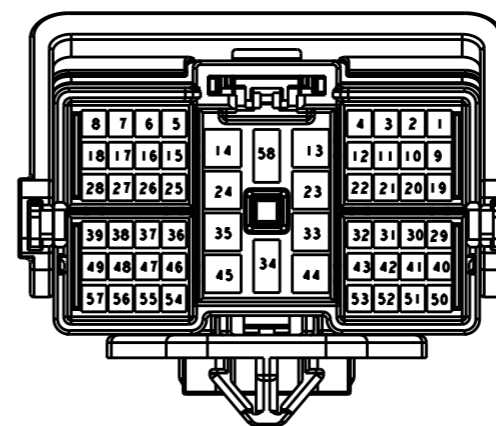
REVISIONS

P	LTR	DESCRIPTION	DATE	DWN	APVD
C1		REVISED (ECR-11-015243)	22JUL2011	YH	HG
C2		REVISED (ECR-13-014281)	11SEP2013	JY	HG
C3		REVISED (ECR-18-005962)	19APR2018	YH	YJ
D		REVISED (ECR-19-019508)	06FEB2020	JH	YJ

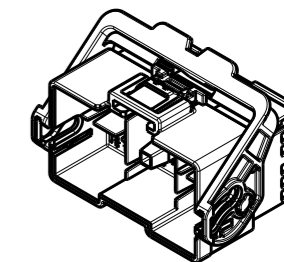
0,1,3-2005275-3
 (3-2005275-3 SUPERSEDES 0-2005275-3)



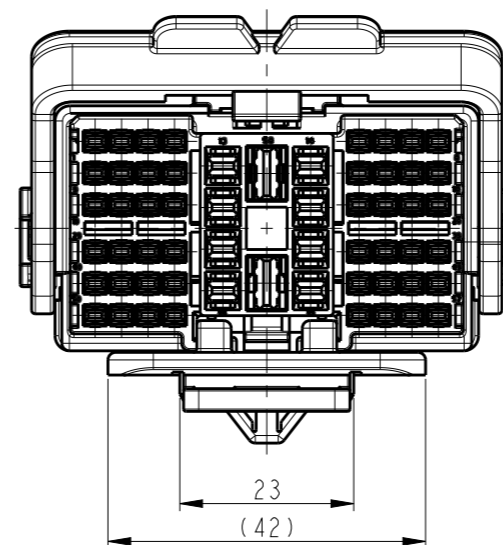
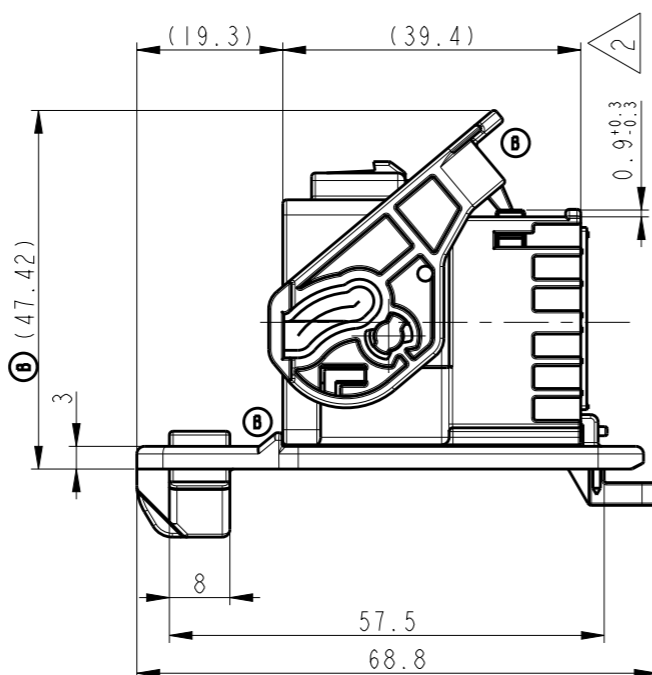
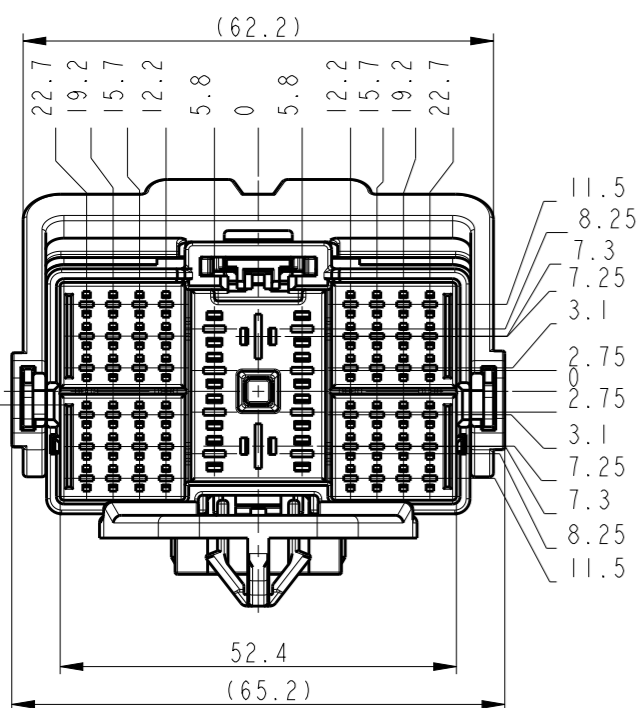
□IT300 BODY-IP CONN. MALE HOUSING ASS'Y



0,3-2005275-3
ISOMETRIC VIEW
SCALE 1:2



1-2005275-3
ISOMETRIC VIEW
SCALE 1:2



NOTE,
 1. GENERAL TOLERANCE : ±0.5, ±3°
 2. CONDITION OF DELIVERY : DBL PLATE IN OPEN POSITION.
 3. APPLIED REC. CONTACT P/N:SEE TABLE I
 4. SUITABLE MATING PLUG P/N : 2005281

NO	FINISH/COLOR	MATERIAL	DESCRIPTION	Q'TY				ASS'Y P/N	REMARK
9	BLACK	PA66	CLIP HSG	1	-	-	-	4-2005275-3	SUPERSEDE 2109050-3
8	BLACK	E-PDM	ADHESIVE PAD	-	-	1	-	3-2005275-3	SUPERSEDE 2005275-3
7	BLACK	PBT-GF20	MNTG CLIP HSG	1	-	1	-	2-2005275-3	-
6	GRAY	PA66-GF15	58P BRACKET HSG	-	1	-	-	1-2005275-3	-
5	RED	PBT-GF15	58P CPA HSG	1	1	1	1	2005275-3	OBSOLETE
4	BLACK	PBT-GF15	58P LEVER HSG	1	1	1	1	-	-
3	NATURAL	PBT-GF15	58P DBL HSG	1	1	1	1	-	-
2	GRAY	PBT-GF15	58P CAP HSG	1	1	-	-	-	-
1	GRAY	PBT-GF15	58P CAP HSG	-	-	1	1	-	-

TABLE I.

	PART NO.	WIRE SIZE(mm ²)	INSULATIONØ (mm)
MTIII	964265-2	0.2~0.35	1.15~1.6
MODIFY SPRING	964267-2	0.5~1.0	1.4~2.1
JPT	2-964294-1	0.5~1.0	1.4~2.1
MODIFY SPRING	2-964296-1	1.25~2.5	2.2~3.0
SPT	(C2)964306-1	>1.0~2.5	2.0~3.0
MODIFY SPRING	964308-1	2.5~4.0	3.3~4.5

THIS DRAWING IS A CONTROLLED DOCUMENT.

DIMENSIONS: mm	TOLERANCES UNLESS OTHERWISE SPECIFIED: 0 PLC ± 1 PLC ± 2 PLC ± 3 PLC ± 4 PLC ± ANGLES ±	SEE NOTE
MATERIAL TBD SEE NOTE	FINISH -	-

DWN YH MA	-
CHK KT LIM	-
APVD HG CHO	-
PRODUCT SPEC	-
APPLICATION SPEC	-
WEIGHT	-
CUSTOMER DRAWING	-



NAME
MT III/JPT/SPT HYB 58P CAP ASS'Y

SIZE CAGE CODE DRAWING NO RESTRICTED TO

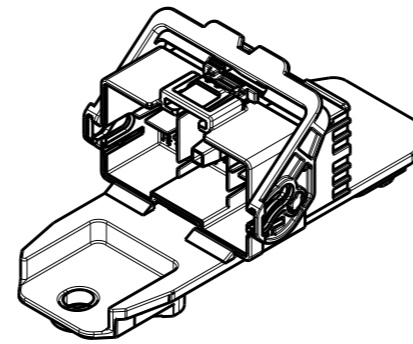
A3 00779 C-2005275

SCALE 1:1 SHEET 1 OF 2 REV D

REVISIONS

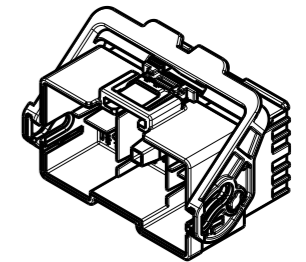
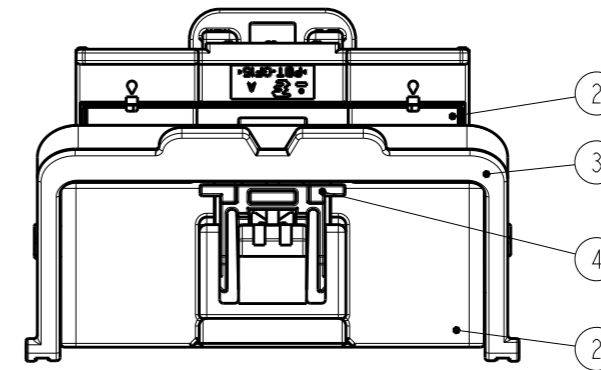
P	LTR	DESCRIPTION	DATE	DWN	APVD
		SEE SHEET 1			

2-2005275-3

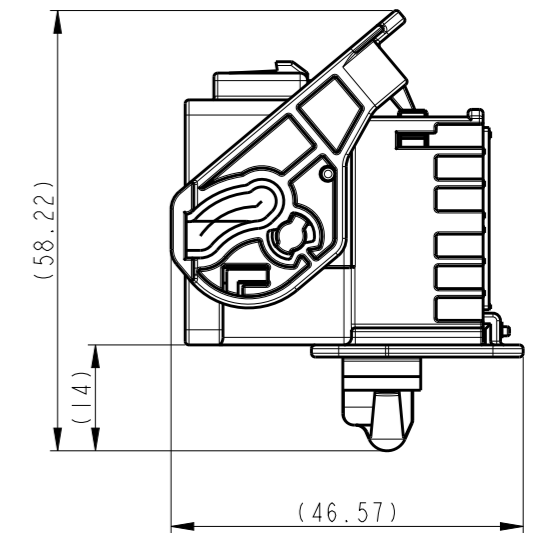
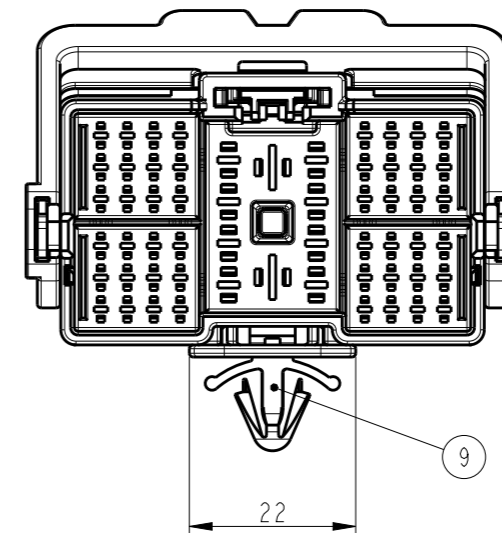
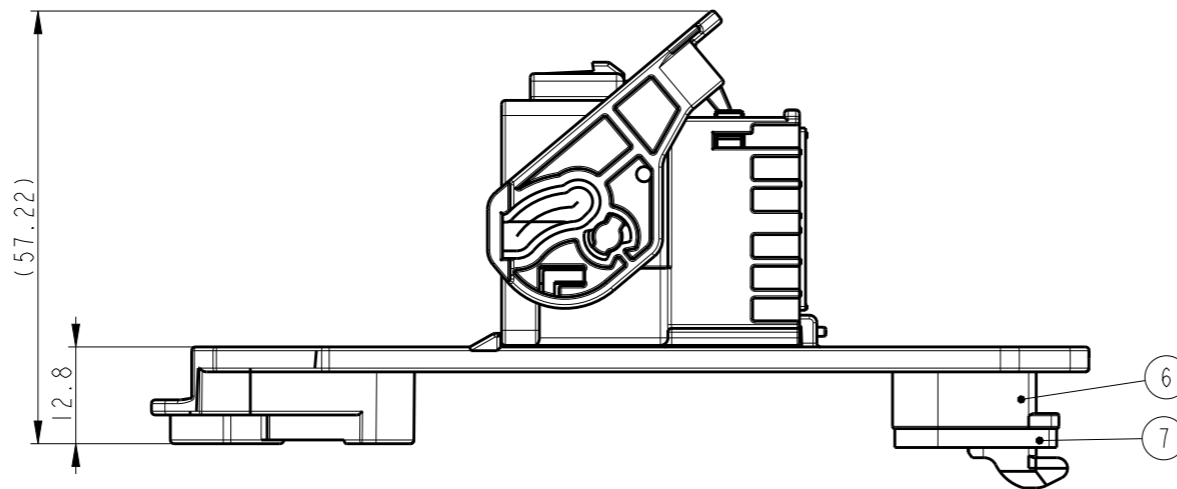
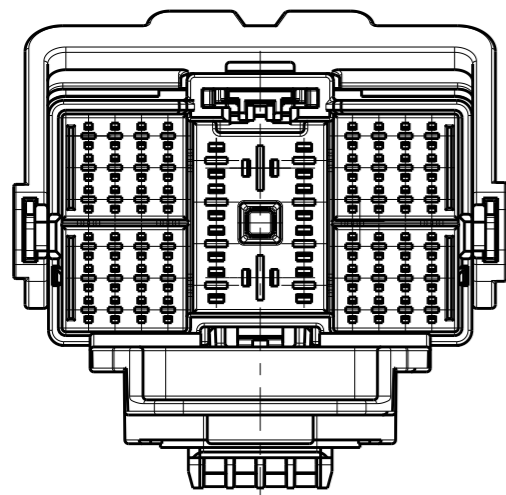
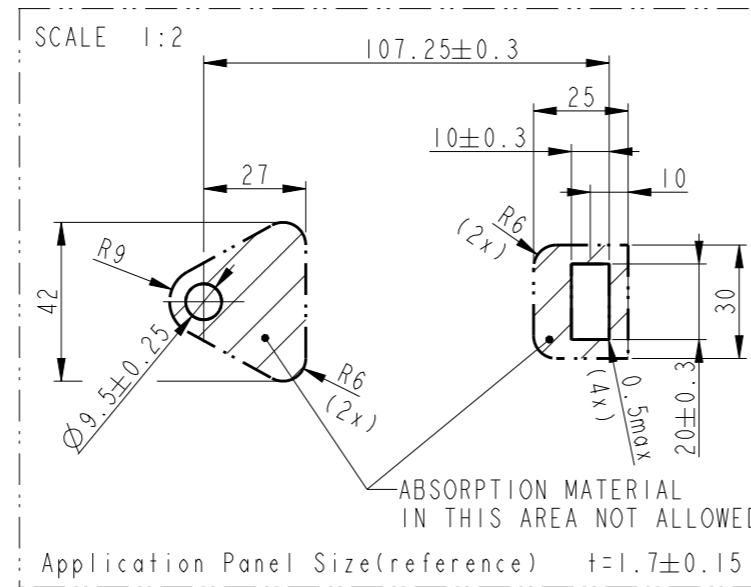
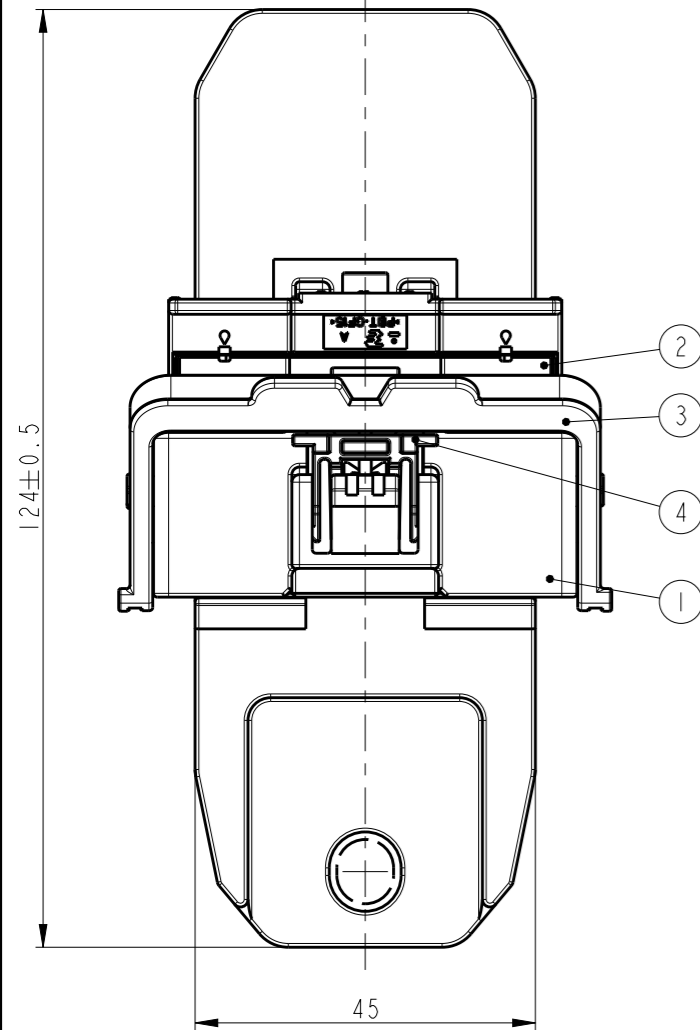


2-2005275-3 ISOMETRIC VIEW SCALE 1:2

4-2005275-3 (SUPERSEDES 2109050-3)



4-2005275-3 ISOMETRIC VIEW SCALE 1:2



THIS DRAWING IS A CONTROLLED DOCUMENT.

DIMENSIONS:		TOLERANCES UNLESS OTHERWISE SPECIFIED:	
mm		SEE NOTE	
		0 PLC ± 1 PLC ± 2 PLC ± 3 PLC ± 4 PLC ± ANGLES ±	
MATERIAL		FINISH	

DWN	YH MA
CHK	KT LIM
APVD	HG CHO
PRODUCT SPEC	
APPLICATION SPEC	
WEIGHT	
CUSTOMER DRAWING	



NAME MT III/JPT/SPT HYB 58P CAP ASS'Y

SIZE	CAGE CODE	DRAWING NO	RESTRICTED TO
A3	00779	C-2005275	
SCALE 1:1		SHEET 2 OF 2	REV D