

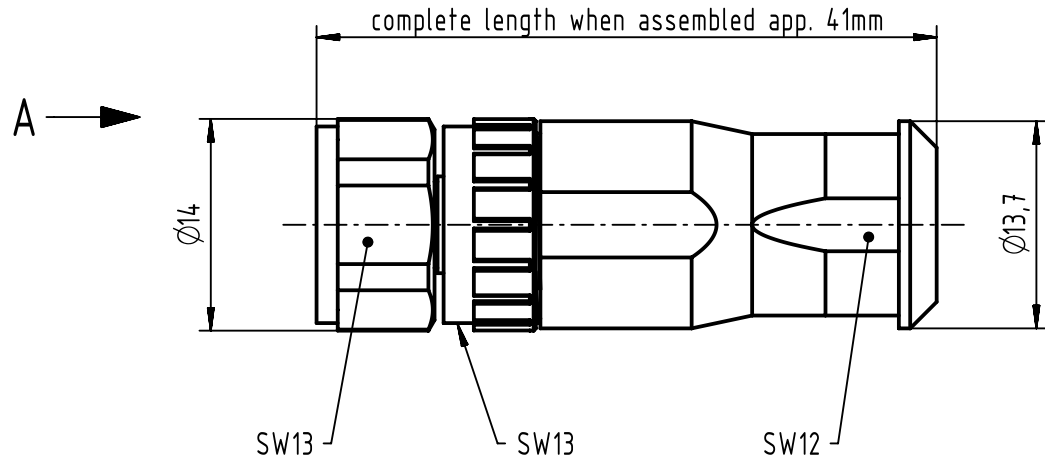
1 2 3 4 5 6

A

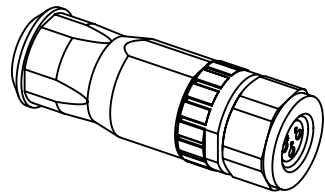
B

C


D



A (2:1)



conductor cross section	0.5mm ² max. AWG20
cable outside diameter	4 - 5.5mm

	All Dimensions in mm Original Size DIN A4	Scale	Free size tol.			Ref.
		2:1				Sub.
All rights reserved Department EC PD - DE	HARTING Electronics GmbH D-32339 Espelkamp	Created by	Inspected by	Standardisation	Date	State
		EISFELD	WELLMANN	SCHREIER	2015-04-02	Final Release
Title					Doc-Key / ECM-Nr.	
HARTING M8 screw straight 3-pole female					100617373/UGD/001/A 500000087333	
Type	Number	Rev.			Page	
TB	21023592301	A			1/1	